

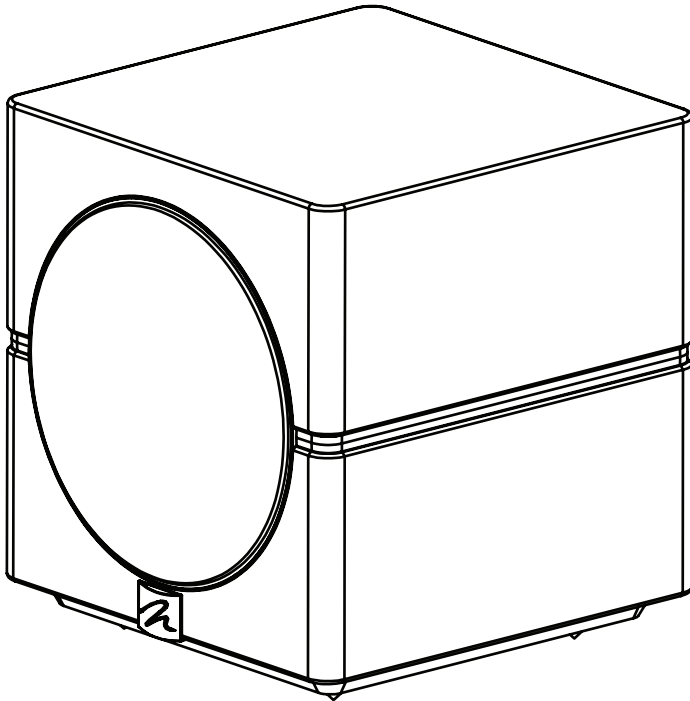


MARTIN LOGAN®

**DYNAMO™ 10**  
*High-Resolution Subwoofer System*

&

**DYNAMO™ 12**  
*High-Resolution Subwoofer System*



**USER'S MANUAL**





The lightning bolt flash with arrowhead symbol, within an equilateral triangle, is intended to alert the user to the presence of potentially "dangerous voltage" within the product's enclosure that may be sufficient to constitute a risk of electric shock.



The exclamation point within an equilateral triangle is intended to alert the user to the presence of important operating and maintenance (servicing) instructions in the literature accompanying the appliance.

## WARNING!



- Refer servicing to a qualified technician.
- To prevent fire or shock hazard, do not expose this module to moisture.
- Turn subwoofer off should any abnormal conditions occur.

## WARNING!



Changes or modification to this unit not expressly approved by the party responsible for compliance could void the user authority to operate the equipment.

### Notes:

- This equipment has been tested and found to comply with the limits for a Class B digital device, pursuant to part 15 of the FCC Rules. These limits are designed to provide reasonable protection against harmful interference in a residential installation. This equipment generates, uses and can radiate radio frequency energy and, if not installed and used in accordance with the instructions, may cause harmful interference to radio communications. However, there is no guarantee that interference will not occur in a particular installation. If this equipment does cause harmful interference to radio or television reception, which can be determined by turning the equipment off and on, the user is encouraged to try to correct the interference by one or more of the following measures:
- Increase the separation between the equipment and receiver.
  - Connect the equipment into an outlet on a circuit different from that to which the receiver is connected.
  - Consult the dealer or an experienced radio/TV technician for help.

This device complies with part 15 of the FCC Rules. Operation is subject to the following two conditions:

- (1) This device may not cause harmful interference, and
- (2) This device must accept any interference received, including interference that may cause undesired operation.

Where the mains plug or an appliance coupler is used as the disconnect device, the disconnect device shall remain readily operable.



In accordance with the European Union WEEE (Waste Electrical and Electronic Equipment) directive effective August 13, 2005, we would like to notify you that this product may contain regulated materials which upon disposal, according to the WEEE directive, require special reuse and recycling processing. For this reason Martin Logan has arranged with our distributors in European Union member nations to collect and recycle this product at no cost to you.

To find your local distributor please contact the dealer from whom you purchased this product, email [info@martinlogan.com](mailto:info@martinlogan.com) or visit the distributor locator at [www.martinlogan.com](http://www.martinlogan.com).

Please note, only this product itself falls under the WEEE directive. When disposing of packaging and other related shipping materials we encourage you to recycle these items through the normal channels.

## EU COMPLIANCE INFORMATION

Hereby, PML Sound International declares that the Dynamo® Series Subwoofer is in compliance with the essential requirements and other relevant provisions of the following EU Compliance Directive Information.

- Conforms to European Union Low Voltage Directive 2014/35/EU;
  - European Union EMC Directive 2014/30/EU;
  - European Union Eco-Design Directive 2009/125/EC;
  - European Union WEEE Directive 2012/19/EU;
  - European Union Restriction of Hazardous Substances Recast (RoHS2) Directive 2011/65/EU;
  - European Union Registration, Evaluation, Authorization and Restriction of Chemicals (REACH) Directive 2006/121/EC;
- You may obtain a free copy of the Declaration of Conformity by contacting your dealer, distributor, or PML Sound International's worldwide headquarters. Contact information can be found here: <http://www.martinlogan.com>

## PROTECTIVE EARTHING TERMINAL (if applicable)

The apparatus should be connected to a mains socket outlet with protective earthing connection.



Max temperature: 40C  
Min temperature: -33C  
Max altitude: 2000m  
Max humidity: 95% non-condensing

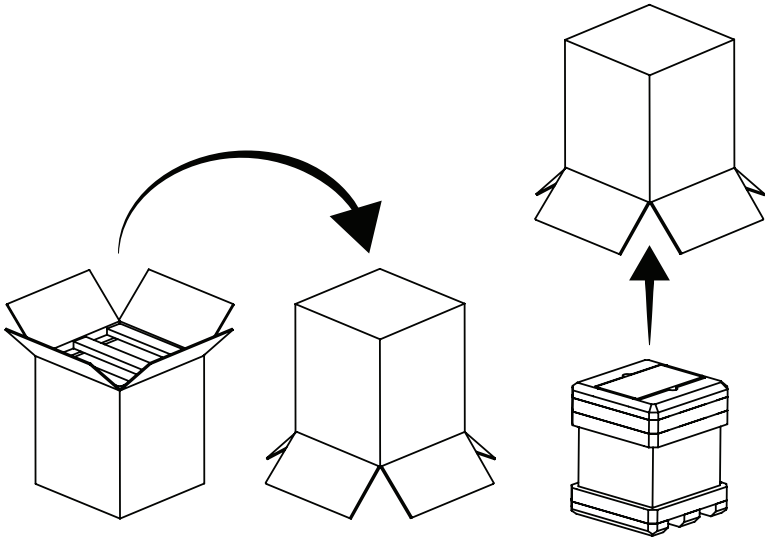
# TABLE OF CONTENTS

<b>Unboxing &amp; Contents</b> . . . . .	<b>5</b>	<b>ARC (optional upgrade)</b> . . . . .	<b>13</b>
<b>Audio Signal Connections</b> . . . . .	<b>7</b>	Running ARC Genesis . . . . .	14
LFE (RCA or XLR) . . . . .	7	<b>Placement</b> . . . . .	<b>15</b>
Line Level Input (Left In / Right In) . . . . .	7	<b>Solid Footing</b> . . . . .	<b>16</b>
Subwoofer Out . . . . .	7	<b>Benefits of Multiple Subwoofers</b> . . . . .	<b>16</b>
Speaker Level Input . . . . .	8	<b>General Information</b> . . . . .	<b>17</b>
Wireless Connection . . . . .	8	Warranty Information . . . . .	17
Simultaneous Connections . . . . .	8	Serial Number . . . . .	17
<b>Controls</b> . . . . .	<b>9</b>	Service . . . . .	17
Backplate Controls . . . . .	9	Ask Your Dealer . . . . .	17
App Controls . . . . .	9	<b>Troubleshooting</b> . . . . .	<b>18</b>
Level/Volume . . . . .	9	<b>Contacting Customer Service</b> . . . . .	<b>18</b>
Tone Sweep . . . . .	9	<b>Specifications</b> . . . . .	<b>19, 21</b>
Power Mode . . . . .	10	<b>Product Dimensions</b> . . . . .	<b>20, 22</b>
Wireless Audio Pairing . . . . .	10		
Low-Pass Filter . . . . .	10		
Phase . . . . .	11		
DSP Preset Modes . . . . .	11		
20–30Hz Level Control . . . . .	11		
Anthem Room Correction . . . . .	11		
Break In . . . . .	12		
AC Power Connection . . . . .	12		

Serial Number: \_\_\_\_\_

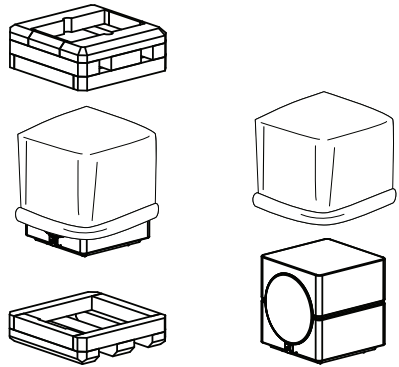
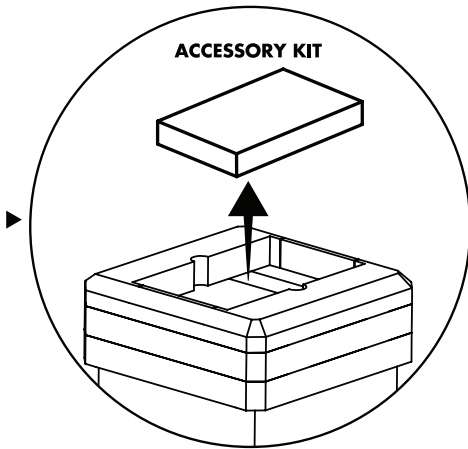
Record your serial number here for easy reference. You will need this information when filling out your warranty registration. The serial number is located near the binding posts and on the product carton.

# UNBOXING & CONTENTS



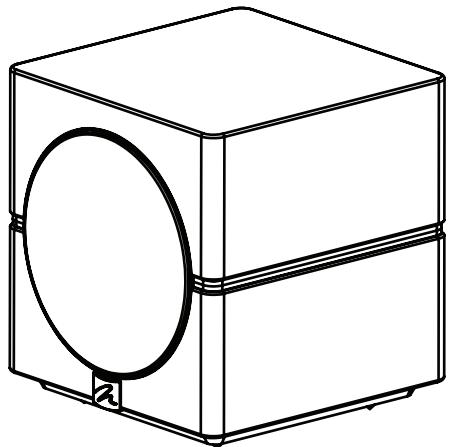
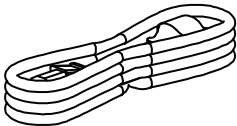
# DYNAMO™

High-Resolution Subwoofer System



- Power Cord
- Subwoofer

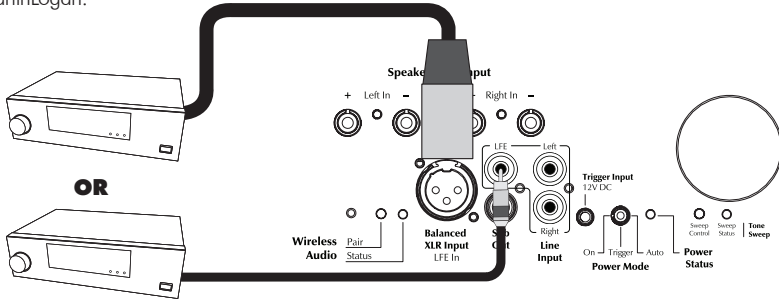
\*Subwoofer cable **not** included



# AUDIO SIGNAL CONNECTIONS

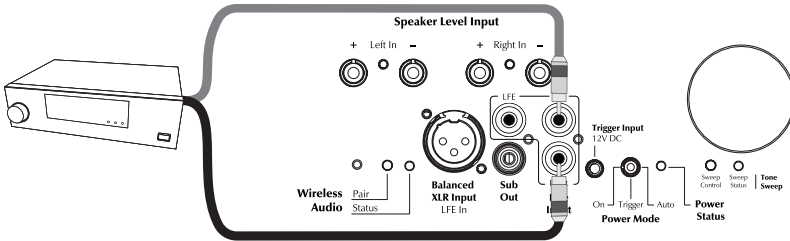
## LFE Input (RCA or XLR)

This is the most common connection for a subwoofer, and uses a single RCA or XLR style cable. If you have the option to use XLR, it is recommended to do so. The LFE connection is designed to be used with any device that has its own built in bass management settings. The subwoofer will not apply additional Low-Pass filtering to the signal received through the LFE Input. Through the LFE Input, the Low-Pass filtering is handled by the connected device. The most common devices that use the LFE input on the subwoofer are AV Receivers and Processors, but other devices like powered speakers or integrated amplifiers may also have their own bass management. If you aren't sure if you should use the LFE connection or not, please consult your products owners manual, your dealer, or MartinLogan.



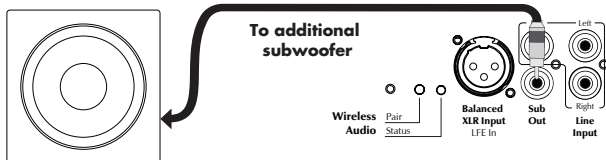
## Line Level Input (Left In / Right In)

Connect from the Main Out/Pre Out/Sub Out on your receiver/pre-amp/electronic device. The setting for the Low-Pass Filter control is applied to the signal received through these inputs unless the Low-Pass filter control is set to Bypass. This subwoofer's Low-Pass filter is adjusted exclusively through the MartinLogan Subwoofer Control App. See "App Controls" section on page 10 for more details. The Left and Right inputs will be summed internally, so the subwoofer will play content from the Left input, Right input or both simultaneously. Either of the inputs can be used if your device only has a single output.



## Subwoofer Out

Not all devices have multiple outputs for subwoofers. To make it easy to add additional subwoofers to a system, this subwoofer is equipped with a Subwoofer Out connection. The Subwoofer Out uses a single RCA connection that can be run to an additional subwoofer. This process can be repeated multiple times in order to create a "chain" of subwoofers if desired. The Subwoofer Out signal is a combination of all active incoming signals. In other words, whatever signals are actively connected to the various Subwoofer Inputs is what will come out of the Subwoofer Out connection.



## Speaker Level Input

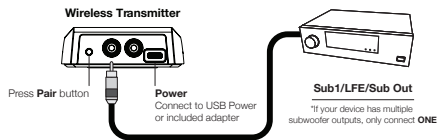
Some electronics do not have dedicated subwoofer outputs and some enthusiasts like to connect their subwoofers with a speaker level connection so that the subwoofer picks up the sonic signature of their chosen amplifier. To that end, this subwoofer is also equipped with speaker level inputs, ready to accept a direct connection to your amplifier using your preferred speaker cable. Banana plugs are required (not included) to use this input, as they provide for a clean installation free from stray wires. This connection method presents no load to your amplifier, and is safe for use even with balanced amplifiers.



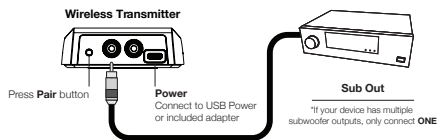
## Wireless Connection

Your subwoofer includes a wireless transmitter that pairs with the wireless receiver built into the electronics of the subwoofer. This wireless transmitter is completely optional, but offers a convenient way to send a signal to your subwoofer when running a subwoofer cable is not a desirable option. The included transmitter can be powered via an available USB port or with the included power adapter. The transmitter should be paired to the subwoofer at the factory, but the built-in wireless receiver is powered off by default. See the controls section of the manual for instructions on how to enable the wireless feature.

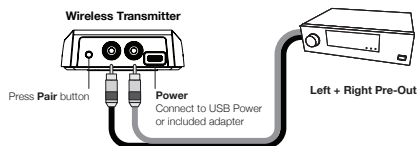
### LFE (or for devices with built-in bass management)



### Single Wire Connection (or for devices without built-in bass management)



### Stereo Connection



## Simultaneous Connections

MartinLogan subwoofers can utilize multiple input methods simultaneously. This can be helpful in certain installations, but the need to use simultaneous connections is rare, so this likely will not apply to your system. It is not recommended to use both wireless and wired connections simultaneously.



# CONTROLS

## Backplate Controls:

The following controls can be accessed on the back of the subwoofer:

- Level: Interactive LED Backlit Knob, Min–Max
- Tone Sweep: Sweep Start and Pause (with status light)
- Power Mode: On, 12v Trigger, Auto
- Wireless Audio Pairing Button (for included MartinLogan wireless transmitter)

## App Controls:

The following controls can be accessed via the MartinLogan subwoofer control app. Use the camera on your iOS or Android device to scan the QR code on the back of the subwoofer (also available on the packaging and QuickStart Guide) to download the app.

- Level: -40 to 12dB (Min-Max)
- Low-Pass Filter (Frequency): 35–120Hz (1° Increments)
- Low-Pass Filter (Order): Bypass, Third, Fourth
- Phase: 0–180° (1° Increments)
- Phase (Polarity): Normal, Inverted
- DSP Preset Listening Modes: Movie, Music, Night
- 20–30Hz Level:  $\pm 10$ dB
- Anthem Room Correction (ARC Genesis): On, Off
- Tone Sweep (120-20Hz): On, Off, Pause (Frequency)

## Level/Volume (on backplate or via MartinLogan Subwoofer Control App)

Most AV Receivers or Processors have some form of auto-setup/calibration feature that will typically set the levels of the speakers and subwoofer(s). If using this feature, you can set the volume knob on the subwoofer to roughly the halfway point and let the system calibrate the level for you. If you desire more or less bass than what it configures for you, simply adjust the subwoofer volume control (or the subwoofer level control in your electronics) to achieve your preferred sound.

## Tone Sweep (on backplate or via MartinLogan Subwoofer Control App)

The tone sweep feature is a useful tool for identifying rattles in your room. Initiating the sweep and pausing it at frequencies that cause things in your room to rattle (like artwork, picture frames, furniture etc.) will help you identify these rattles and address them as you feel appropriate. To initiate the tone sweep you can use the MartinLogan Subwoofer Control App, or the buttons on the back of the subwoofer as described below:

1. Press the “Tone Sweep” button for 1 second to start the tone sweep. The “Sweep Status” LED will turn white. Use the subwoofer level control as needed.
2. Press the “Tone Sweep” button again to hold the sweep at a specific frequency. The “Sweep Status” LED will turn red while the sweep is holding.
3. Press the “Tone Sweep” button again to stop the sweep. The “Sweep Status” LED will turn off.
4. Repeat these steps as needed.

*Note: The tone will turn off after 1 minute from the last button press.*

## **Power Mode (on backplate only)**

This subwoofer features a signal-sensing power supply that when set to “AUTO” will automatically turn the subwoofer on when a signal is detected on any input. It will also power off the subwoofer after sensing no signal for several minutes. The “ON” power mode leaves the subwoofer powered on and ready to play all the time with no delay, but will draw more power while not actively in use. “Trigger” mode is the correct setting when using a 12v trigger cable (3.5mm) from an external device to control the subwoofer power status.

## **Wireless Audio Pairing (on backplate only)**

This subwoofer includes a wireless transmitter that pairs with the receiver built into the electronics of the subwoofer. This wireless transmitter is completely optional, but offers a convenient way to send a signal to your subwoofer when running a subwoofer cable is not a desirable option. The included transmitter can be powered via an available USB port or with the included power adapter. The transmitter should be paired to the subwoofer at the factory, but the built-in wireless receiver is powered off by default. Here is how to enable the wireless connection feature:

Enabling the Subwoofer’s Wireless Signal Connection Feature:

1. Pressing the Wireless Audio “Pair” button for 2 seconds will power on the built-in wireless module. The LED will now be green.

Disabling the Subwoofer’s Wireless Connection Feature:

1. Press and hold the Wireless Audio “Pair” button for 11 seconds – until the LED goes off completely. (The LED may show red or green or flash during the 11 seconds – continue to hold the button until the LED turns off)

Pairing the Transmitter:

1. The wireless transmitter must be powered on, and the wireless connection feature enabled on the subwoofer (see above instructions).
2. Press and hold the wireless audio “pair” button for 5 seconds until the LED quickly flashes green/red/green.
3. If the LED does not turn green, repeat the process and press the “pair” button on the wireless transmitter while the LED on the subwoofer flashes green/red/green

## **Low-Pass Filter (via MartinLogan Subwoofer Control App only)**

The Low Pass Filter lets you adjust the low-pass frequency for the left and right inputs. The Low-Pass filter value sets the point where the subwoofer will begin to “roll off” or gradually reduce its output. You do not want your subwoofer playing sounds that are too high in frequency, nor do you want to give your subwoofer too little content to play. This control does not act like a “brick wall” where it completely cuts off sounds above the chosen value, again, it marks the point where the subwoofer will gradually fade out.

If you are using this subwoofer as an LFE channel in a home theater system, or your electronic device already has a built-in Low-Pass Filter, set this control to Bypass. In this mode your electronics will handle the bass management instead of the subwoofer. If your device has a Low-Pass Filter and you do not set the subwoofer’s Low-Pass Filter to “Bypass” then you will essentially have 2 filters stacked on top of each other which can significantly reduce the bass output in certain ranges.

If you are using this subwoofer in a 2-channel stereo system, or with a device that does not have a built in Low-Pass Filter, set this control to your desired value. As a general rule, the Low-Pass Filter in these systems is typically set in increments of 20Hz (40/60/80/100) and typically will not exceed 80Hz. 80Hz is often a good starting point for a wide variety of systems. You will not harm anything by experimenting with different settings here. Choose the one you think sounds best. Making this adjustment via the app allows you to listen in real time from your favorite listening position, ensuring the most accurate results.

## **CONTROLS (CONTINUED)**

### **Phase (via MartinLogan Subwoofer Control App only)**

The Phase control is entirely dependent on numerous factors including the size and configuration of your listening environment, the placement of the unit, and seating arrangement. Due to the way bass sound waves develop in different rooms; there is no rule of thumb for setting phase. For instance, if your room has a peak at the subwoofer crossover area, you may wish to set the phase so the actual acoustic outputs of the subwoofer and main speakers are out of phase. Experiment and try different settings and be patient, ultimately choose the setting that sounds best to you using a variety of content you like to listen to.

If you are using the subwoofer to augment other MartinLogan products, we suggest starting with the phase set at 0°. In a system where phase and polarity are properly set, the main speakers and subwoofer should work together and sound as if there is more total bass in the system. If your main speakers and subwoofers are out of phase their sound waves will cancel each other and total bass output in the system will sound decreased.

### **DSP Preset Modes (via MartinLogan Subwoofer Control App only)**

The DSP presets built into the main page of the MartinLogan Subwoofer Control App allow you to alternate between 3 preset modes: Music, Movie, and Night. Here is a description of the presets:

Music = The most accurate mode, providing the highest levels of articulation and lowest levels of distortion. Ideal for the most detailed playback of music.

Movie = This mode maximizes the dynamic output of the subwoofer for the most powerful presentation. Ideal for maximum impact from movies.

Night = This mode reduces and limits the subwoofer's dynamic output, which may be ideal for late night playback where avoiding noise complaints is desirable.

### **20–30Hz Level Control (via MartinLogan Subwoofer Control App)**

The 20–30Hz Level Control in the app allows you to adjust the output level of the subwoofer, specifically targeting the lowest range of frequencies. This control gives you an adjustment range from -10dB to +10dB, with 0dB being the "flat" setting. Using the app, adjust this setting from your favorite listening position to your preference. This setting can also be adjusted after using the optional Anthem Room Correction system without permanently overriding the results of the calibration process. This value is temporarily set to the default 0dB value during the measurement process, and can be adjusted to taste afterwards if desired.

### **Anthem Room Correction (Optional: calibration mic sold separately)**

This subwoofer is compatible with the award winning Anthem Room Correction system. This highly advanced software measures subwoofer performance in your room and then performs custom equalization, tuning, and calibration to achieve the highest levels of bass impact, and accuracy possible in your specific installation. Requires an ARC Calibration Microphone and PC or Mac computer (sold separately). The ARC setting in the MartinLogan Subwoofer Control APP allows you to disable or enable the ARC calibration after it has been uploaded to the subwoofer, allowing you to easily hear the "before" and "after" results.

## Break-In 50 hrs

Our custom made woofers require approximately 50 hours of break-in at moderate listening levels before their optimal performance occurs. This will factor in on any critical listening and judgment.

### **AC Power Connection** **WARNING**

The power cord should not be installed, removed, or left detached from the subwoofer while the other end is connected to an AC power source. The IEC power cord should be firmly inserted into the AC power receptacle on the rear connection panel of the subwoofer, then to any convenient AC wall outlet. The sub also integrates a signal-sensing power supply that automatically switches off after sensing no music signal for several minutes (this will occur when the power switch is set to 'Auto'). Your subwoofer is wired for the power service supplied in the country of original consumer sale. The AC power rating applicable to a particular unit is specified both on the packing carton and on the serial number plate attached to the subwoofer. If you remove your subwoofer from the country of original sale, be certain that AC power supplied in any subsequent location is suitable before connecting and operating the subwoofer. Substantially impaired performance or severe damage may occur to the subwoofer if operation is attempted from an incorrect AC power source.

# ANTHEM ROOM CORRECTION (OPTIONAL UPGRADE)

Your subwoofer includes Anthem Room Correction technology for optimizing low-frequency output within your room. Your subwoofer's ARC system employs a computer and a microphone connected via USB cables.

ARC Genesis utilizes multiple measurement points, at least five—but up to ten—individual data positions, allowing ARC Genesis to analyze the unique characteristics of your room. ARC Genesis software calculates correction curves for each measurement point, substantially minimizing the rounding errors of less sophisticated “calculators”, like those used in standard on-board room equalization systems. Additionally, ARC Genesis computer software is capable of calibrating itself to individual microphones, eliminating potential interference that would otherwise skew the data.

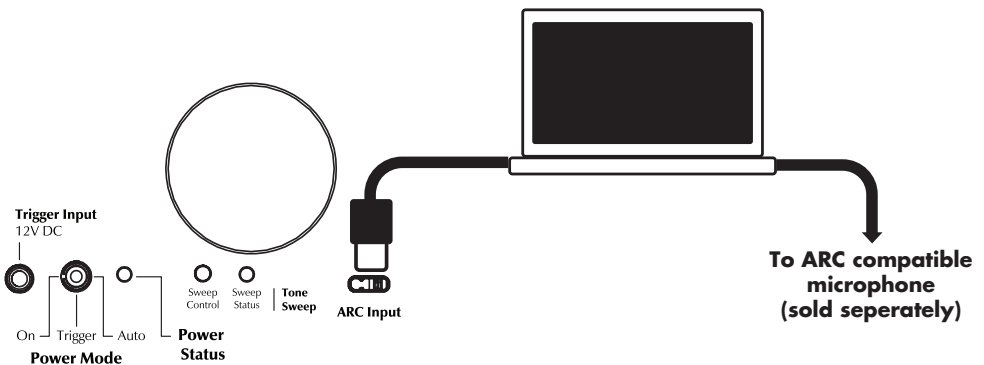
Although ARC Genesis is designed to adjust the subwoofer's output to minimize sonic anomalies caused by room interactions, it is always recommended to use traditional methods to achieve a flat response before implementing digitally based room correction. Remember, subwoofer placement is one of the most influential parameters when dealing with anomalous low-frequency room interactions. Listening position is equally important to bass response but is often dictated by other factors that are more difficult to change.

ARC Genesis in your subwoofer is not a replacement for room correction systems designed to optimize multi-channel audio systems across the entire frequency range. When beginning the task of optimizing a multi-channel audio system's performance, the first step should always be proper setup of the subwoofer and front, center, and surround speakers. The next step should be running ARC Genesis to adjust the individual subwoofer's output to account for room interactions. Only after proper setup of speakers and subwoofers, including running ARC Genesis on the subwoofer(s), is it time to run your processor's full room correction system to help balance overall system performance within the room.

## Before You Begin

To run ARC Genesis on a computer you will need an ARC Genesis compatible microphone (available from your MartinLogan dealer). Visit [anthemarc.com](http://anthemarc.com) for details.

**NOTE:** If you own a MartinLogan PBK (Perfect Bass Kit) or Anthem ARC kit, the microphone included with either kit will work with the ARC Genesis software used to measure your subwoofer(s). Before running ARC Genesis on a computer, connect your subwoofer to the computer. Use a USB cable to connect the subwoofer's USB Input (Type C) to a USB (Type A) input on your computer. Depending on the version of your ARC kit (sold separately) and the available USB ports on your computer, you may need a different USB cable or adapter.



## Running ARC Genesis

Before running ARC Genesis on a computer, connect the ARC microphone to your computer using the USB cable it was supplied with, or another USB cable with the appropriate connections to connect the mic to your computer.

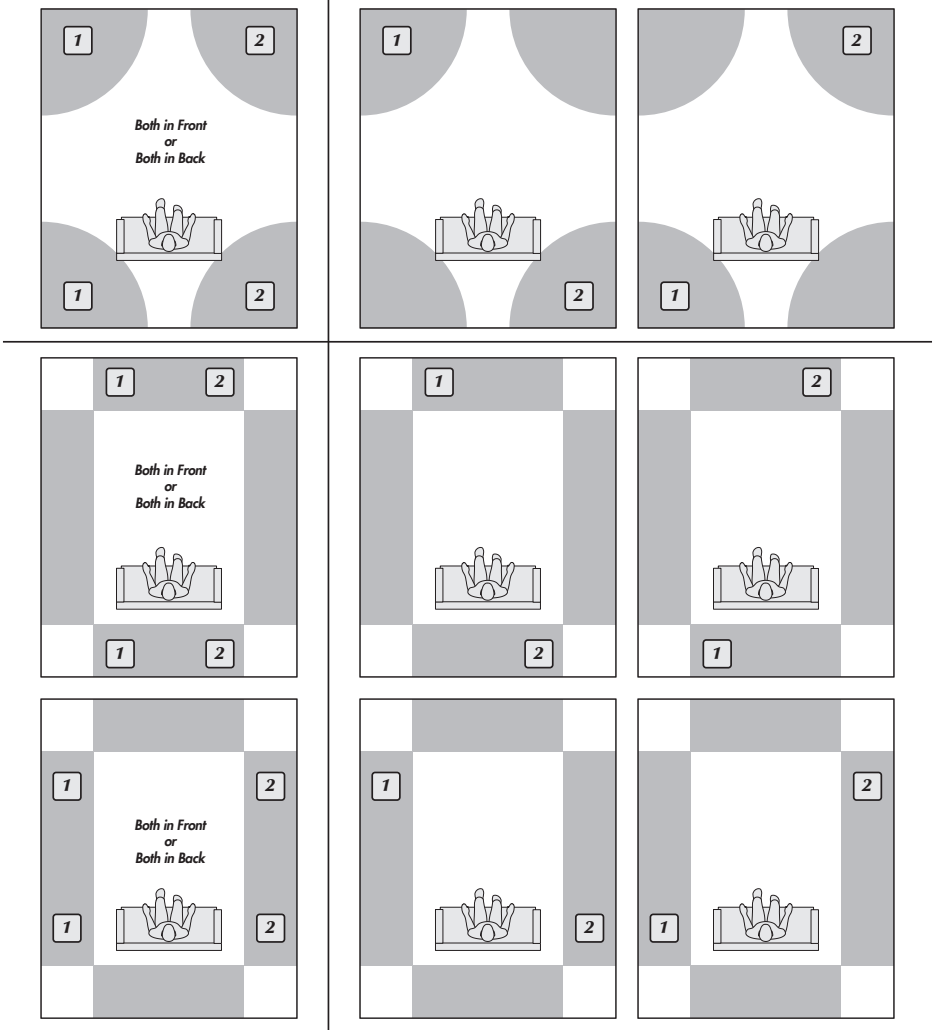
To run ARC Genesis on a computer you will need to download the latest ARC Genesis software from [anthemarc.com](http://anthemarc.com). You will also need an ARC Genesis compatible microphone (available from your MartinLogan dealer). When running ARC Genesis software we recommend Automatic Mode for most users. This mode will walk you through the measurement process with step-by-step on screen instructions. The ARC Genesis software's Manual Mode is recommended for advanced users. For more information, please visit [anthemarc.com](http://anthemarc.com).

- Before running ARC Genesis, set up your subwoofers by adjusting placement.
- During measurement, ARC Genesis overrides the settings of the Volume (level), Phase, Low-Pass Filter, and 20–30Hz Level controls. These controls do not impact the measurements. After the correction curve has been uploaded to the subwoofer these controls can be used to fine tune the subwoofer's performance.
- When taking ARC Genesis measurements the microphone should be approximately at the locations where your ears will be.
- When taking ARC Genesis measurements, the microphone should point up, towards the ceiling.
- When taking ARC Genesis measurements the room should be silent. Please turn off or remove potential sources of noise.
- ARC Genesis will require you to measure five (or more) listening positions. The first position should be located at the primary listening position. Subsequent measurements should be taken at other listening positions and should be no closer than 2-feet from each other.
- Although it might seem logical to do so, you do not need to take measurements throughout the room (i.e. in the front corners, far off to the side, etc.). Measurement locations should focus only on positions where people will be listening to the subwoofer.

# PLACEMENT

As a starting point, we recommend placing the subwoofer in one of the shaded areas below. The corners will typically yield the highest output, while the front wall near the speakers typically provides the most seamless blend with the main speakers.

When using multiple subwoofers try to place them in opposite corners or opposite walls in order to help spread the bass into the room more evenly. For even better results, try and place the subwoofers at opposite ends of the room as illustrated in the below diagrams.



## **SOLID FOOTING**

After living and experimenting with your subwoofer, you may want to use the included carpet spikes. Once installed and leveled, the subwoofer will become more firmly planted on the floor and, consequently, bass will tighten. It is best not to implement the spikes, however, until you are secure in the positioning, as the spikes can damage the floor if the subwoofer is moved. MartinLogan does not recommend using carpet spikes on hard surface flooring

---

## **BENEFITS OF MULTIPLE SUBWOOFERS**

The benefits of using multiple subwoofers are well known. Having two (or more) subwoofers in a system can reduce distortion by sharing the load across multiple woofers, allowing each subwoofer to do less work in order for the system to achieve the same volume. Multiple subs can also be used to smooth out the frequency response in your room as bass energy will now enter the room at multiple positions, instead of only one. This technique allows each subwoofer to help fill in gaps in bass output caused by room size, construction, and placement that may otherwise be unavoidable when using only a single subwoofer. The most obvious benefit for those interested in maximum impact, is the increase in maximum potential volume as your woofer count goes up. Last but not least, a more visually symmetrical look can be achieved when an equal number of subwoofers are placed in a room. This is an upgrade path that can always be followed at a later date for those looking to further improve performance.



## **GENERAL INFORMATION**

### **WARRANTY INFORMATION**

MartinLogan, Ltd. warrants this subwoofer to be free of manufacturing defects in material and workmanship, subject for a period of 3 years. This warranty expires on the anniversary of the product's date of delivery.

The warranty is only valid if purchase of this product was made through an authorized MartinLogan dealer or distributor. A copy of the original receipt of sale from an authorized MartinLogan dealer or distributor is required for any warranty work.

### **SERVICE**

Should you use your MartinLogan product in a country other than the one in which it was originally purchased, we ask that you note the following:

1. The appointed MartinLogan distributor for any given country is responsible for warranty servicing only on units distributed by or through it in that country in accordance with its applicable warranty.
2. Should a MartinLogan product require servicing in a country other than the one in which it was originally purchased, the end user may seek to have repairs performed by the nearest MartinLogan distributor, subject to that distributor's local servicing policies, but all cost of repairs (parts, labor, transportation) must be borne by the owner of the MartinLogan product.
3. If, after owning your speaker for six months, you relocate to a country other than the one in which you purchased your speaker, your warranty may be transferable. Contact MartinLogan for details.

### **SERIAL NUMBER**

The serial number is located on back of the subwoofer, directly below the model name. The serial number may also be found on the product carton.

### **Ask Your Dealer**

Your MartinLogan dealer can suggest many options for optimal subwoofer placement. They also have many tools at their disposal, such as experience, familiarity with the associated equipment, and even sound analysis equipment which may make the task of determining optimal subwoofer placement easier.

### **Enjoy Yourself**

MartinLogan subwoofers are very refined and will benefit from care in setup. With the above placement tips in mind you will find, over months of listening, that small changes can result in measurable differences. As you live with your subwoofer, do not be afraid to experiment with positioning until you find the optimal relationship between your room, settings and subwoofer that gives you the best results. Your efforts will be rewarded!

# TROUBLESHOOTING

## No Output

- Check that all system components are turned on and source material is playing.
  - Check speaker wires and connections.
  - Check all interconnecting cables.
  - If you are unable to resolve your problem, please contact your dealer or MartinLogan customer service (see below)
- 

## CONTACTING CUSTOMER SERVICE

### Phone

(785) 749-0133

**Monday – Friday**

8 AM – 5 PM CT

### Email

[service@martinlogan.com](mailto:service@martinlogan.com)

### Social Media



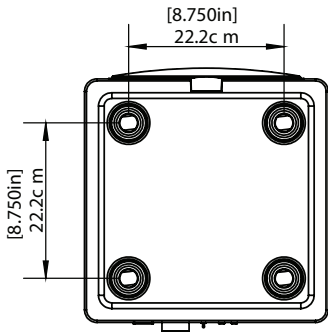
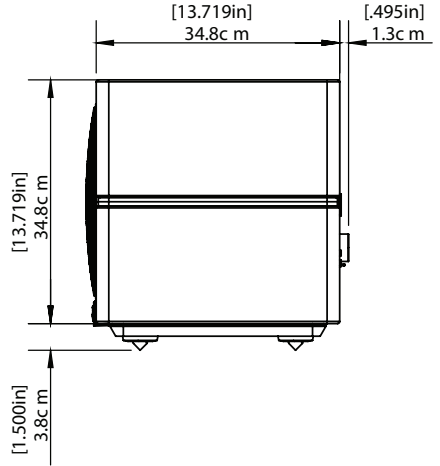
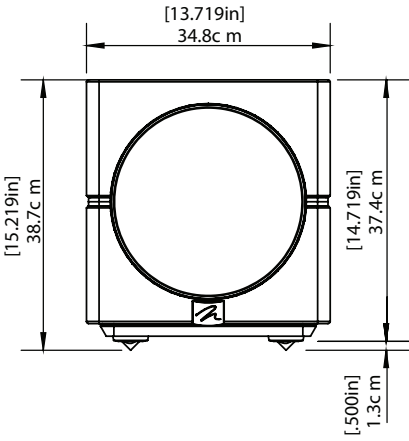
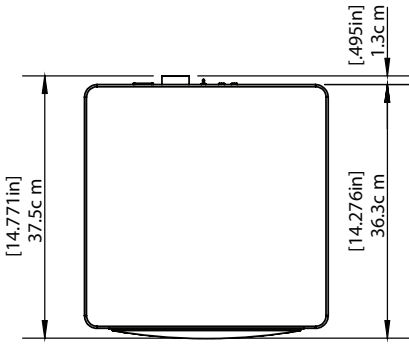
# SPECIFICATIONS\*

\*Specifications are subject to change without notice.

## Dynamo® 10 Subwoofer

<b>Frequency Response</b> . . . . .	23Hz-200Hz ±3dB (Anechoic via LFE input)
<b>Low Frequency Driver</b> . . . . .	10" (25.4cm) high-excursion aluminum cone in a stamped steel basket
<b>Cabinet</b> . . . . .	Sealed 1" thick MDF cabinet with reinforced MDF woofer baffle
<b>Amplifier Power</b> . . . . .	MartinLogan Magnitude MT-1kW Amplifier 1,000W peak (500W continuous)
<b>DSP</b> . . . . .	Ultra High-Resolution 5000MHz Vojtko DSP Engine with 64bit processing
<b>Controls (on backplate)</b> . . . . .	Level: Interactive LED Backlit Knob, Min-Max Tone Sweep: Sweep Start and Pause (with status light) Power Mode: On, 12v Trigger, Auto Wireless Audio Pairing Button (for included MartinLogan wireless transmitter)
<b>Controls (via bluetooth using MartinLogan control app)</b> . . . . .	Level: -40 to 12dB (Min-Max) Low-Pass Filter (Frequency): 35-120Hz (1° increments) Low-Pass Filter (Order): Bypass, Third, Fourth Phase: 0-180° (1° Increments) Phase (Polarity): Normal, Inverted Preset Listening Modes: Movie, Music, Night 20-30Hz Level: ±10dB Anthem Room Correction (ARC Genesis): On, Off Tone Sweep (120-20Hz): On, Off, Pause (Frequency)
<b>Inputs</b> . . . . .	Line Level: Left, Right, and LFE XLR: LFE Speaker Level: Left and Right (requires banana plugs)
<b>Wireless Input</b> . . . . .	Integrated Wireless Receiver Wireless Transmitter Included
<b>Outputs</b> . . . . .	RCA Sub Out (combines and repeats all incoming signals to an additional subwoofer)
<b>Power Draw</b> . . . . .	Max: 1000W                      Standby (Wireless Disabled): 0.5W Standby (Wireless Enabled): <2W (Transmitter & Subwoofer combined)
<b>Feet</b> . . . . .	Integrated Anti-Vibration Feet (carpet spikes included)
<b>Weight</b> . . . . .	42.8lb (19.4kg)
<b>Dimensions (HxWxD)</b> . . . . . (not including optional carpet spike, woofer grille or volume knob)	14-3/4" x 13-3/4" x 13-3/4" (37.4cm x 34.8cm x 34.8cm)
<b>Finishes</b> . . . . .	Gloss Black or Satin White

# PRODUCT DIMENSIONS



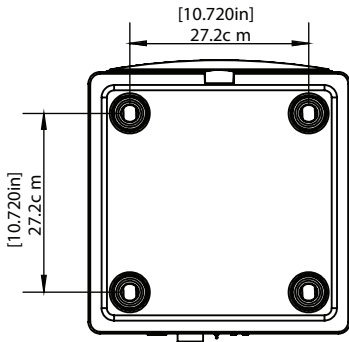
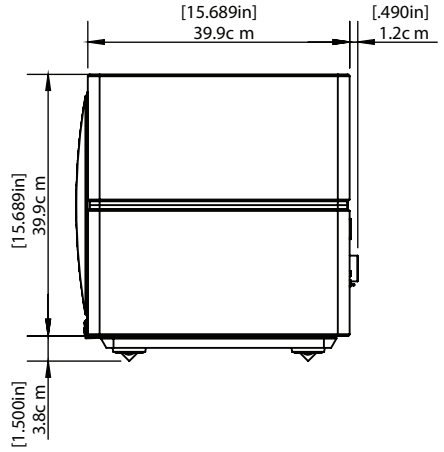
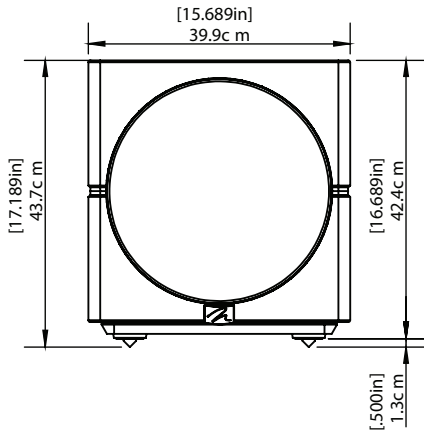
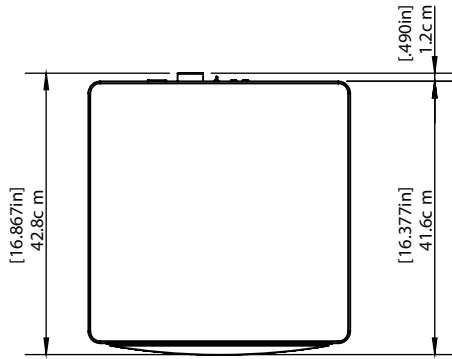
# SPECIFICATIONS\*

\*Specifications are subject to change without notice.

## Dynamo® 12 Subwoofer

<b>Frequency Response</b> . . . . .	22Hz-200Hz ±3dB (Anechoic via LFE input)
<b>Low Frequency Driver</b> . . . . .	12" (30.5cm) high-excursion aluminum cone in a stamped steel basket
<b>Cabinet</b> . . . . .	Sealed 1" thick MDF cabinet with reinforced MDF woofer baffle
<b>Amplifier Power</b> . . . . .	MartinLogan Magnitude MT-1.6kW Amplifier 1,600W peak (800W continuous)
<b>DSP</b> . . . . .	Ultra High-Resolution 5000MHz Vojtko DSP Engine with 64bit processing
<b>Controls (on backplate)</b> . . . . .	Level: Interactive LED Backlit Knob, Min-Max Tone Sweep: Sweep Start and Pause (with status light) Power Mode: On, 12v Trigger, Auto Wireless Audio Pairing Button (for included MartinLogan wireless transmitter)
<b>Controls (via bluetooth using MartinLogan control app)</b> . . . . .	Level: -40 to 12dB (Min-Max) Low-Pass Filter (Frequency): 35-120Hz (1° increments) Low-Pass Filter (Order): Bypass, Third, Fourth Phase: 0-180° (1° Increments) Phase (Polarity): Normal, Inverted Preset Listening Modes: Movie, Music, Night 20-30Hz Level: ±10dB Anthem Room Correction (ARC Genesis): On, Off Tone Sweep (120-20Hz): On, Off, Pause (Frequency)
<b>Inputs</b> . . . . .	Line Level: Left, Right, and LFE XLR: LFE Speaker Level: Left and Right (requires banana plugs)
<b>Wireless Input</b> . . . . .	Integrated Wireless Receiver Wireless Transmitter Included
<b>Outputs</b> . . . . .	RCA Sub Out (combines and repeats all incoming signals to an additional subwoofer)
<b>Power Draw</b> . . . . .	Max: 1000W                      Standby (Wireless Disabled): 0.5W Standby (Wireless Enabled): <2W (Transmitter & Subwoofer combined)
<b>Feet</b> . . . . .	Integrated Anti-Vibration Feet (carpet spikes included)
<b>Weight</b> . . . . .	61.5lb (10.8kg)
<b>Dimensions (HxWxD)</b> . . . . .	16-3/4" x 15-3/4" x 15-3/4" (not including optional carpet spike, woofer grille or volume knob)      (42.4cm x 39.9cm x 39.9cm)
<b>Finishes</b> . . . . .	Gloss Black

# PRODUCT DIMENSIONS





**MARTIN LOGAN®**

Lawrence, Kansas, USA    tel. 785.749.0133    fax 785.749.5320    [www.martinlogan.com](http://www.martinlogan.com)

©2024 MartinLogan Ltd. All rights reserved.

Rev. #01



MARTIN LOGAN®

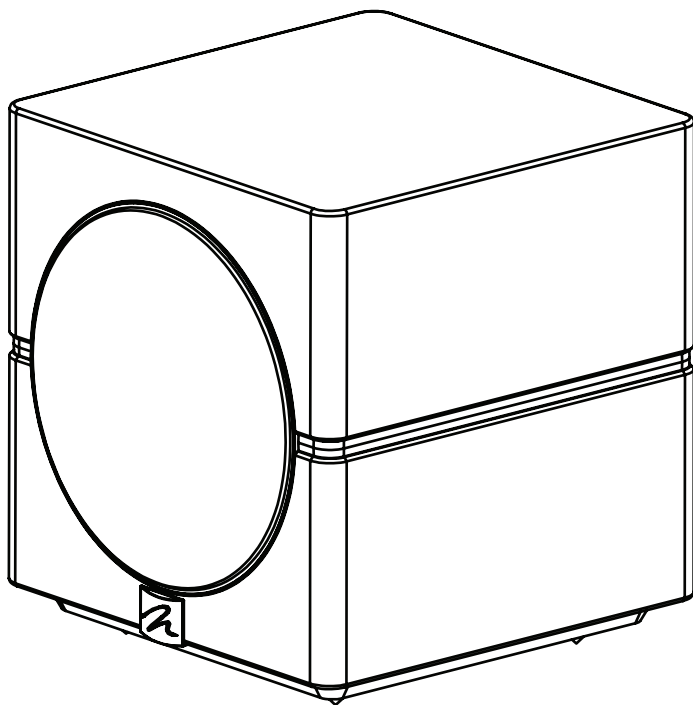
**DYNAMO™ 10**

*High-Resolution Subwoofer System*

&

**DYNAMO™ 12**

*High-Resolution Subwoofer System*



**MANUEL D'UTILISATION**







L'éclair avec le symbole d'une pointe de flèche, dans un triangle équilatéral, est destiné à alerter l'utilisateur de la présence d'une « tension dangereuse » potentiellement à l'intérieur du boîtier du produit qui peut être suffisante pour constituer un risque de choc électrique.



Le point d'exclamation dans un triangle équilatéral est destiné à alerter l'utilisateur de la présence d'instructions importantes d'utilisation et de maintenance (entretien) dans la documentation accompagnant l'appareil.

## ATTENTION!

- Confiez l'entretien à un technicien qualifié.
- Pour éviter tout risque d'incendie ou d'électrocution, n'exposez pas ce module à l'humidité.
- Éteignez le caisson de basses si des conditions anormales surviennent.



## ATTENTION!

Les changements ou modifications apportés à cet appareil non expressément approuvés par la partie responsable de la conformité pourraient annuler le droit de l'utilisateur à utiliser l'équipement.

### Remarques:

Cet équipement a été testé et déclaré conforme aux limites d'un appareil numérique de classe B, conformément à la partie 15 des règles FCC. Ces limites sont conçues pour fournir une protection raisonnable contre les interférences nuisibles dans une installation résidentielle. Cet équipement génère, utilise et peut émettre de l'énergie radiofréquence et, s'il n'est pas installé et utilisé conformément aux instructions, peut provoquer des interférences nuisibles aux communications radio. Cependant, rien ne garantit que des interférences ne se produiront pas dans une installation particulière. Si cet équipement provoque des interférences nuisibles à la réception radio ou télévision, ce qui peut être déterminé en éteignant et rallumant l'équipement, l'utilisateur est encouragé à essayer de corriger les interférences en prenant une ou plusieurs des mesures suivantes :

- Augmentez la séparation entre l'équipement et le récepteur.
- Connectez l'équipement à une prise sur un circuit différent de celui auquel le récepteur est connecté.
- Consultez le revendeur ou un technicien radio/TV expérimenté pour obtenir de l'aide.



Lorsque la fiche secteur ou un coupleur d'appareil est utilisé comme dispositif de déconnexion, le dispositif de déconnexion doit rester facilement utilisable.

Conformément à la directive DEEE (déchets d'équipements électriques et électroniques) de l'Union européenne en vigueur le 13 août 2005, nous souhaitons vous informer que ce produit peut contenir des matériaux réglementés qui, une fois éliminés, selon la directive DEEE, nécessitent un traitement spécial de réutilisation et de recyclage. Pour cette raison, Paradigm s'est arrangé avec nos distributeurs dans les pays membres de l'Union européenne pour collecter et recycler ce produit sans frais pour vous.



Pour trouver votre distributeur local, veuillez contacter le revendeur auprès duquel vous avez acheté ce produit, envoyez un e-mail à [support@martinlogan.com](mailto:support@martinlogan.com) ou visitez le localisateur de revendeurs sur [www.martinlogan.com](http://www.martinlogan.com).

Attention, seul ce produit lui-même relève de la directive DEEE. Lorsque vous jetez les emballages et autres matériaux d'expédition connexes, nous vous encourageons à recycler ces articles par les voies normales.

## EU COMPLIANCE INFORMATION

Par la présente, PML Sound International déclare que cet **Dynamo®** Series Subwoofer est conforme aux exigences essentielles et aux autres dispositions pertinentes des informations suivantes sur la directive de conformité de l'UE.

- Conforme à la directive basse tension 2014/35/UE de l'Union européenne ;
- Directive CEM de l'Union européenne 2014/30/UE ;
- Directive d'écoconception de l'Union européenne 2009/125 et CE ;
- Directive DEEE 2012/19/UE de l'Union européenne ;
- Refonte de la directive 2011/65/UE sur la restriction des substances dangereuses (RoHS2) de l'Union européenne ;
- Directive 2006/121/CE sur l'enregistrement, l'évaluation, l'autorisation et les restrictions des produits chimiques (REACH) de l'Union européenne ;

Vous pouvez obtenir une copie gratuite de la déclaration de conformité en contactant votre revendeur, distributeur ou le siège mondial de PML Son international.

Les coordonnées peuvent être trouvées ici : <http://www.martinlogan.com>

## BORNE DE MISE À LA TERRE DE PROTECTION (LE CAS ÉCHÉANT)

L'appareil doit être connecté à une prise secteur avec une connexion de mise à la terre de protection.



Température maximale: 40C  
Température minimale: -33C  
Altitude maximale: 2000m  
Humidité maximale: 95 % sans condensation

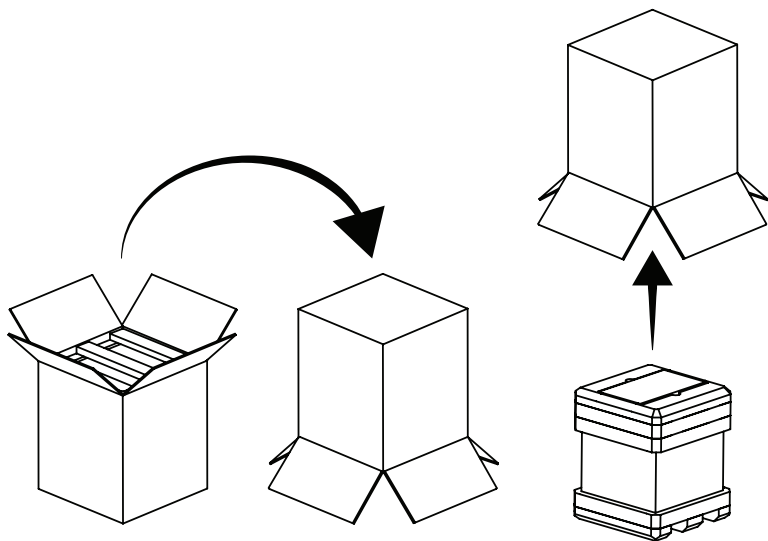
# TABLE DES MATIÈRES

<b>Déballage et contenu</b> . . . . .	<b>28</b>	Connexion d'alimentation CA . . . . .	36
<b>Connexions des signaux audio</b> . . . . .	<b>29</b>	<b>ARC (mise à niveau facultative)</b> . . . . .	<b>37</b>
LFE (RCA ou XLR) . . . . .	30	Exécution d'ARC Genesis . . . . .	38
Entrée de niveau ligne entrée gauche/entrée droite) . . . . .	30	<b>Placement</b> . . . . .	<b>39</b>
Sortie caisson de basses . . . . .	31	<b>Base solide</b> . . . . .	<b>40</b>
Entrée de niveau haut-parleur . . . . .	31	<b>Avantages de plusieurs caissons de basses</b> . . . . .	<b>40</b>
Connexion sans fil . . . . .	31	<b>Informations générales</b> . . . . .	<b>40</b>
Connexions simultanées . . . . .	32	Informations sur la garantie . . . . .	40
<b>Contrôles</b> . . . . .	<b>33</b>	Numéro de série . . . . .	40
Contrôles du panneau arrière . . . . .	33	Service . . . . .	40
Contrôles de l'application . . . . .	33	Demandez à votre revendeur . . . . .	41
Niveau/Volume . . . . .	33	<b>Dépannage</b> . . . . .	<b>41</b>
Balayage de tonalité . . . . .	33	<b>Contactez le service client</b> . . . . .	<b>41</b>
Mode d'alimentation . . . . .	34	<b>Spécifications</b> . . . . .	<b>42,44</b>
Appairage audio sans fil . . . . .	34	<b>Dimensions du produit</b> . . . . .	<b>43,45</b>
Filtre passe-bas . . . . .	35		
Phase . . . . .	35		
Modes prédéfinis DSP . . . . .	35		
Contrôle de niveau 20–30 Hz . . . . .	36		
Correction acoustique Anthem . . . . .	36		
Rodage . . . . .	36		

Numéro de série: \_\_\_\_\_

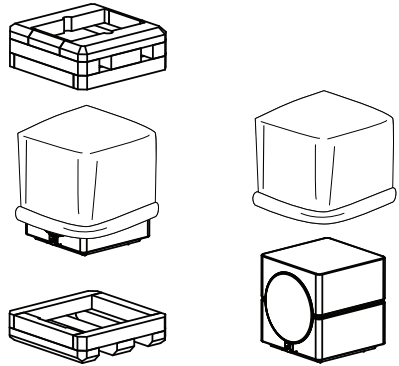
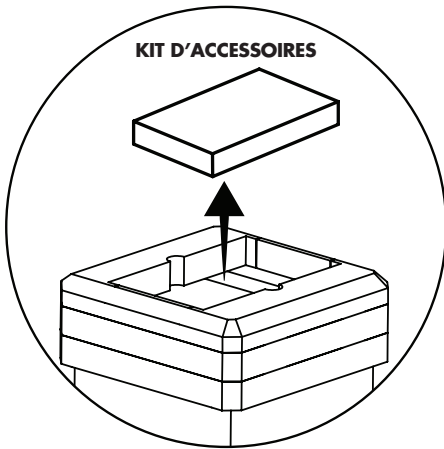
Enregistrez votre numéro de série ici pour un accès facile. Vous aurez besoin de cette information pour remplir votre formulaire d'enregistrement de garantie. Le numéro de série se trouve près des bornes de raccordement et sur l'emballage du produit.

## DÉBALLAGE ET CONTENU



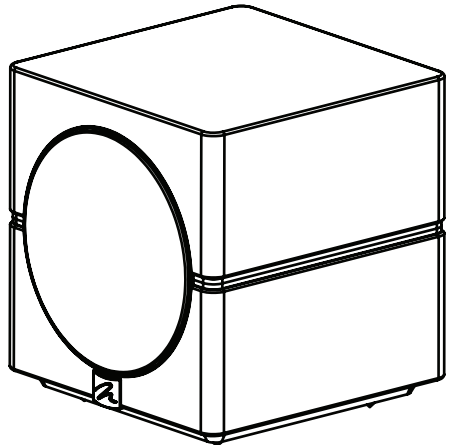
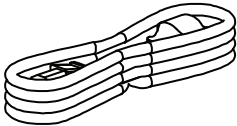
# DYNAMO™

High-Resolution Subwoofer System



- Cordon d'alimentation
- Caisson de basses

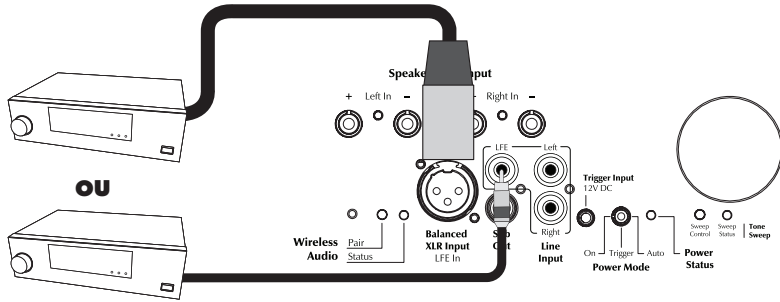
\*Câble du caisson de basses non inclus



# CONNEXIONS DES SIGNAUX AUDIO

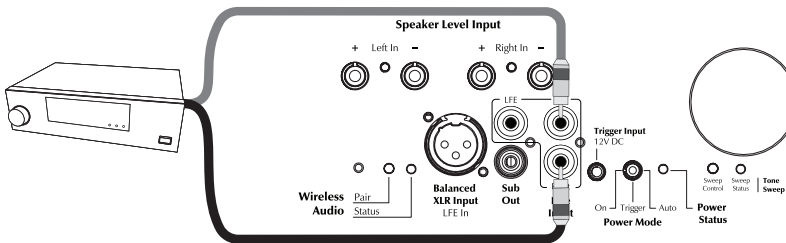
## Entrée LFE (RCA ou XLR)

Il s'agit de la connexion la plus courante pour un caisson de basses et utilise un seul câble de style RCA ou XLR. Si vous avez la possibilité d'utiliser l'entrée XLR, il est recommandé de le faire. La connexion LFE est conçue pour être utilisée avec tout appareil doté de ses propres paramètres de gestion des basses intégrés. Le caisson de basses n'appliquera pas de filtrage passe-bas supplémentaire au signal reçu via l'entrée LFE, car ce filtrage est géré par l'appareil connecté. Les appareils les plus courants utilisant l'entrée LFE du caisson de basses sont les récepteurs AV et les processeurs, mais d'autres appareils, comme les enceintes amplifiées ou les amplificateurs intégrés, peuvent également avoir leur propre gestion des basses. Si vous ne savez pas si vous devez utiliser la connexion LFE, veuillez consulter le manuel du propriétaire de votre produit, votre revendeur ou MartinLogan.



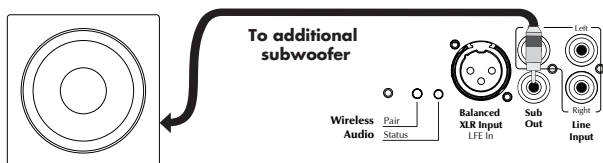
## Entrée de niveau ligne (entrée gauche/entrée droite)

Connectez-vous à partir de la sortie principale, pré-sortie ou sortie secondaire de votre récepteur, préampli ou appareil électronique. Le réglage du contrôle du filtre passe-bas s'applique au signal reçu via ces entrées, sauf si le contrôle est réglé sur Bypass. Le filtre passe-bas de ce subwoofer est exclusivement réglé via l'application MartinLogan Subwoofer Control. Consultez la section « Contrôles de l'application » à la page 10 pour plus de détails. Les entrées gauche et droite seront sommées en interne, permettant au caisson de basses de reproduire le contenu de l'entrée gauche, de l'entrée droite, ou des deux simultanément. Vous pouvez utiliser l'une ou l'autre des entrées si votre appareil ne dispose de d'une seule sortie.



## Sortie Subwoofer

Tous les appareils ne disposent pas de plusieurs sorties pour les caissons de basses. Pour faciliter l'ajout de subwoofers supplémentaires à un système, ce caisson est équipé d'une connexion Subwoofer Out. Cette sortie utilise une seule connexion RCA qui peut être reliée à un caisson de basses supplémentaire. Ce processus peut être répété plusieurs fois pour créer une « chaîne » de subwoofers si vous le souhaitez. Le signal Subwoofer Out est une combinaison de tous les signaux entrants actifs. En d'autres termes, quels que soient les signaux connectés aux différentes entrées du caisson de basses, c'est ce qui sortira de la connexion de sortie.



## Entrée de niveau haut-parleur

Certains appareils électroniques ne disposent pas de sorties de caisson de basses dédiées, et certains passionnés préfèrent connecter leurs caissons de basses à une connexion de niveau haut-parleur pour capter la signature sonore de leur amplificateur. À cette fin, ce subwoofer est également équipé d'entrées de niveau haut-parleur, prêtes à accepter une connexion directe à votre amplificateur à l'aide de votre câble d'enceinte préféré. Des fiches bananes sont nécessaires (non incluses) pour utiliser cette entrée, car elles permettent une installation propre, sans fils libres susceptibles de provoquer un court-circuit. Cette méthode de connexion ne présente aucune charge pour votre amplificateur et peut être utilisée en toute sécurité, même avec des amplificateurs symétriques.

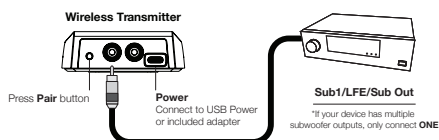


## Connexion sans fil

Votre caisson de basses comprend un émetteur sans fil qui s'associe au récepteur sans fil intégré au caisson de basses. Cet émetteur sans fil est entièrement facultatif, mais offre un moyen pratique d'envoyer un signal à votre caisson de basses lorsque l'utilisation d'un câble de caisson de basses n'est pas une option souhaitable. L'émetteur inclus peut être alimenté via un port USB disponible ou avec l'adaptateur secteur inclus. L'émetteur est appairé au caisson de basses en usine, mais le récepteur sans fil intégré est inactif par défaut. Consultez la section contrôles du manuel pour savoir comment activer la fonction sans fil.

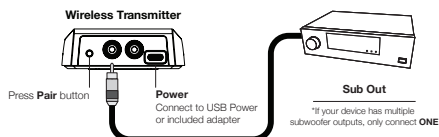
## LFE (or for devices with built-in bass management)

---



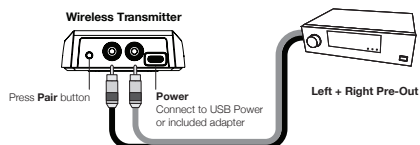
## Single Wire Connection (or for devices without built-in bass management)

---



## Stereo Connection

---



## Connexions simultanées

Les subwoofers MartinLogan peuvent utiliser plusieurs méthodes d'entrée simultanément. Cela peut être utile dans certaines installations, bien que le besoin d'utiliser des connexions simultanées soit rare et ne s'applique probablement pas à votre système. Il n'est pas recommandé d'utiliser des connexions sans fil et filaires en même temps.



## CONTRÔLES

### Contrôles du panneau arrière :

Les contrôles suivants sont accessibles à l'arrière du caisson de basses :

- Level (Niveau) : Bouton interactif rétroéclairé par LED, Min-Max
- Tone Sweep (Balayage de tonalité) : démarrage et pause du balayage (avec voyant d'état)
- Power Mode (Mode d'alimentation) : On (activé), 12V Trigger (déclencheur 12 V), Auto (automatique).
- Wireless Audio Pairing (Bouton de l'appairage audio sans fil - pour l'émetteur sans fil MartinLogan inclus)

### Contrôles de l'application

Utilisez l'appareil photo de votre appareil iOS ou Android pour scanner le code QR situé à l'arrière du caisson de basses (également disponible sur l'emballage et dans le guide de démarrage rapide) afin de télécharger l'application. Les contrôles suivants sont accessibles via l'application de contrôle du caisson de basses MartinLogan.

- Niveau : -40 à 12 dB (Min-Max)
- Filtre passe-bas (fréquence) : 35-120 Hz (incréments de 1°)
- Filtre passe-bas (ordre) : Bypass, Troisième, Quatrième
- Phase : 0-180° (incréments de 1°)
- Phase (polarité) : normale, inversée
- Modes d'écoute prédéfinis DSP : film, musique, nuit
- Niveau 20-30 Hz :  $\pm 10$  dB (incréments de 1 dB)
- Correction acoustique Anthem (ARC Genesis) : activée, désactivée
- Balayage de tonalité (120-20 Hz) : activé, désactivé, pause (fréquence)

### Level/Volume (Niveau/Volume, sur le panneau arrière ou via l'application MartinLogan Subwoofer Control)

La plupart des récepteurs ou processeurs AV disposent d'une fonctionnalité de configuration/calibrage automatique qui permet généralement de régler les niveaux des haut-parleurs et du(des) caisson(s) de basse. Si vous utilisez cette fonction, vous pouvez régler le bouton de volume du caisson de basses à peu près à mi-course et laisser le système calibrer le niveau pour vous. Si vous souhaitez plus ou moins de basses que ce qui a été configuré, il vous suffit d'ajuster le contrôle de volume du caisson de basses (ou le contrôle de niveau du caisson de basses dans vos appareils électroniques) pour obtenir le son souhaité.

### Tone Sweep (Balayage de tonalité, sur le panneau arrière ou via l'application MartinLogan Subwoofer Control)

La fonction de balayage des tonalités est un outil utile pour identifier les vibrations dans votre pièce. En lançant le balayage et en le mettant sur pause à des fréquences qui provoquent des vibrations (comme les oeuvres d'art, les cadres photo, les meubles, etc.), vous pourrez repérer ces résonances et y remédier selon vos préférences. Pour lancer le balayage de tonalité, vous pouvez utiliser l'application MartinLogan Subwoofer Control ou les boutons à l'arrière du caisson de basses comme décrit ci-dessous :

1. Appuyez sur le bouton « Tone Sweep » pendant 1 seconde pour démarrer le balayage de tonalité. La LED « Sweep Status » deviendra blanche. Utilisez le contrôle de niveau du caisson de basses si nécessaire.
2. Appuyez à nouveau sur le bouton « Tone Sweep » pour maintenir le balayage à une fréquence spécifique. La LED « Sweep Status » s'allumera en rouge pendant que la fréquence est maintenue.
3. Appuyez à nouveau sur le bouton « Tone Sweep » pour arrêter le balayage. La LED « Sweep Status » s'éteindra.
4. Répétez ces étapes si nécessaire.

*Remarque : la tonalité s'éteindra 1 minute après la dernière pression sur le bouton.*

### **Power Mode (Mode d'alimentation, sur le panneau arrière uniquement)**

Ce caisson de basses est équipé d'une alimentation à détection de signal qui, lorsqu'elle est réglée sur « AUTO », s'allume automatiquement lorsqu'un signal est détecté sur n'importe quelle entrée. Il s'éteint également automatiquement après plusieurs minutes d'inactivité. Le mode d'alimentation « ON » maintient le caisson de basses sous tension et prêt à fonctionner à tout moment, sans délai, mais consomme plus d'énergie même lorsqu'il n'est pas activement utilisé. Le mode « Trigger » doit être sélectionné lorsqu'un câble de déclenchement de 12 V (3,5 mm) est utilisé à partir d'un appareil externe pour contrôler l'état d'alimentation du caisson de basses.

### **Wireless Audio Pairing (Appairage audio sans fil, sur le panneau arrière uniquement)**

Ce caisson de basses est équipé d'un émetteur sans fil qui se connecte au récepteur intégré dans l'électronique du caisson. Bien que cet émetteur soit entièrement optionnel, il offre une solution pratique pour transmettre un signal au caisson de basses lorsque l'utilisation d'un câble n'est pas idéale. L'émetteur inclus peut être alimenté via un port USB disponible ou à l'aide de l'adaptateur secteur fourni. L'appairage entre l'émetteur et le caisson est effectué en usine, mais le récepteur sans fil intégré est désactivé par défaut.

Activation de la fonction de connexion sans fil du caisson de basses :

1. Appuyez sur le bouton « Pair » du caisson pendant 2 secondes pour activer le module sans fil intégré. La LED deviendra verte.

Désactivation de la fonction de connexion sans fil du caisson de basses :

1. Appuyez sur le bouton « Pair » du caisson et maintenez-le enfoncé pendant 11 secondes, jusqu'à ce que la LED s'éteigne complètement. (La LED peut s'allumer en rouge, en vert ou clignoter pendant ces 11 secondes – continuez à maintenir le bouton enfoncé jusqu'à ce qu'elle s'éteigne.)

Appairage de l'émetteur :

1. Assurez-vous que l'émetteur sans fil est allumé et que le mode d'appairage sans fil du caisson de basses est activé (voir les instructions ci-dessus). Le voyant LED sur le caisson de basses doit clignoter en vert, rouge, puis vert à nouveau.
2. Pendant que le caisson de basses tente de s'appairer, maintenez enfoncé le bouton « Pair » sur l'émetteur sans fil pendant 5 secondes, jusqu'à ce que le voyant clignote en vert, rouge, puis vert.
3. Si les voyants LED des deux appareils ne deviennent pas verts, attendez que les voyants s'éteignent et répétez le processus.

## CONTRÔLES (CONTINUER)

### **Low-Pass Filter (Filtre passe-bas, via l'application MartinLogan Subwoofer Control uniquement)**

Le filtre passe-bas vous permet de régler la fréquence à partir de laquelle les entrées gauche et droite commencent à être atténuées. Ce filtre définit le point où le caisson de basses commence à « s'atténuer » ou à réduire progressivement sa sortie. Vous ne voulez pas que votre caisson joue des sons de fréquences trop élevées, mais vous souhaitez aussi lui fournir suffisamment de contenu à reproduire. Ce contrôle ne fait pas une coupure nette qui bloquerait totalement les sons au-dessus de la fréquence choisie, mais il définit le point à partir duquel le son commence à diminuer progressivement.

Si vous utilisez ce caisson comme canal LFE dans un système de cinéma maison ou si votre appareil dispose déjà d'un filtre passe-bas intégré, réglez ce contrôle sur « Bypass ». Dans ce mode, c'est votre appareil électronique qui gère la gestion des basses à la place du caisson. Si votre appareil dispose d'un filtre passe-bas et que vous ne réglez pas celui du caisson sur « Bypass », vous risquez d'avoir deux filtres superposés, ce qui peut entraîner une réduction significative des basses dans certaines plages de fréquences.

Si vous utilisez ce caisson dans un système stéréo à deux canaux ou avec un appareil ne disposant pas de filtre passe-bas intégré, réglez ce contrôle à la valeur souhaitée. En général, le filtre passe-bas de ces systèmes est réglé par paliers de 20 Hz (40/60/80/100) et ne dépasse généralement pas 80 Hz. 80 Hz est souvent un bon point de départ pour une grande variété de systèmes. N'hésitez pas à expérimenter différents paramètres afin de trouver celui qui vous convient le mieux. Effectuer ce réglage via l'application vous permet d'écouter en temps réel depuis votre position d'écoute idéale, garantissant ainsi des résultats plus précis.

### **Phase (Phase, via l'application MartinLogan Subwoofer Control uniquement)**

Le contrôle de phase dépend de nombreux facteurs, tels que la taille et la configuration de votre environnement d'écoute, l'emplacement du caisson de basses et l'agencement des sièges. En raison de la manière dont les ondes sonores de basse se propagent dans différentes pièces, il n'existe pas de règle fixe pour régler la phase. Par exemple, si votre pièce présente un pic dans la zone de croisement des fréquences du caisson, vous pourriez vouloir ajuster la phase de manière à ce que les sorties acoustiques du caisson de basses et des enceintes principales soient déphasées. Expérimentez avec différents réglages et soyez patient ; optez pour le réglage qui vous semble le meilleur en utilisant une variété de contenus que vous aimez écouter.

Si vous utilisez le caisson de basses pour compléter d'autres produits MartinLogan, nous vous recommandons de commencer avec la phase réglée à 0°. Dans un système où la phase et la polarité sont correctement ajustées, les enceintes principales et le caisson de basses devraient fonctionner en harmonie, créant une sensation de basses renforcées dans le système. Si vos enceintes principales et le caisson sont en opposition de phase, leurs ondes sonores risquent de s'annuler, ce qui peut réduire la sortie totale des basses dans le système.

### **DSP Preset Modes (Modes prédéfinis DSP, via l'application MartinLogan Subwoofer Control uniquement)**

Les pré-réglages DSP intégrés dans la page principale de l'application MartinLogan Subwoofer Control vous permettent de choisir 3 modes prédéfinis : Music, Movie et Night (Musique, Film et Nuit). Voici une description des pré-réglages :

**Music (Musique) :** Ce mode est le plus précis, offrant une articulation optimale et des niveaux de distorsion minimaux. Il est idéal pour une reproduction musicale détaillée.

**Movie (Film) :** Ce mode maximise la sortie dynamique du caisson de basses pour offrir une présentation puissante. Parfait pour un impact maximal lors du visionnement de films.

Night (Nuit) : Ce mode réduit et limite la sortie dynamique du caisson, idéal pour une écoute nocturne afin d'éviter les nuisances sonores.

### **20-30 Hz Level Control (Contrôle du niveau 20-30 Hz, via l'application MartinLogan Subwoofer Control)**

Le contrôle de niveau de 20-30 Hz de l'application vous permet d'ajuster le niveau de sortie du caisson de basses, ciblant spécifiquement la plage des fréquences les plus basses. Ce contrôle offre une plage de réglage allant de -10 dB à +10 dB, où 0 dB correspond au réglage « plat ». Utilisez l'application pour ajuster ce paramètre depuis votre position d'écoute préférée selon vos préférences. Ce paramètre peut également être modifié après avoir utilisé, si souhaité, le système de correction acoustique Anthem, sans annuler définitivement les résultats du processus de calibration. Pendant le processus de calibration, cette valeur est temporairement réglée sur la valeur par défaut de 0 dB et peut être ajustée par la suite.

### **Anthem Room Correction (Correction acoustique Anthem, en option : microphone de calibration vendu séparément)**

Ce caisson de basses est compatible avec le système primé Anthem Room Correction. Ce logiciel très avancé mesure les performances du caisson dans votre pièce, puis effectue une égalisation, un réglage et une calibration personnalisés pour atteindre les niveaux d'impact et de précision des basses les plus élevés possibles dans votre installation spécifique. Il nécessite un microphone de calibration ARC ainsi qu'un ordinateur PC ou Mac (vendus séparément). Le réglage ARC dans l'application MartinLogan Subwoofer Control vous permet de désactiver ou d'activer la calibration ARC après son téléchargement sur le caisson, vous offrant ainsi la possibilité d'entendre facilement les résultats « avant » et « après ».

### **Rodage de 50 heures**

Nos woofers conçus sur mesure nécessitent environ 50 heures de rodage à des niveaux d'écoute modérés pour atteindre leurs performances optimales. Cela peut influencer toute écoute critique et votre jugement.

### **Connexion d'alimentation CA** **⚠ ATTENTION ⚠**

Le cordon d'alimentation ne doit pas être installé, retiré ou laissé détaché du caisson de basses tant que l'autre extrémité est connectée à une source d'alimentation CA. Le cordon d'alimentation IEC doit être fermement inséré dans la prise secteur à l'arrière du subwoofer, puis branché à une prise murale CA appropriée. Le subwoofer intègre également une alimentation à détection de signal qui s'éteint automatiquement après plusieurs minutes sans signal musical (cela se produit lorsque l'interrupteur d'alimentation est réglé sur « Auto »). Votre caisson de basses est câblé pour le service électrique fourni dans le pays de vente d'origine. La puissance nominale CA applicable à une unité particulière est spécifiée à la fois sur l'emballage et sur la plaque du numéro de série fixée au caisson. Si vous retirez votre caisson de basses du pays de vente d'origine, assurez-vous que l'alimentation secteur dans tout nouvel emplacement est appropriée avant de le connecter et de l'utiliser. Une performance considérablement réduite ou des dommages graves peuvent survenir si vous tentez d'utiliser le caisson avec une source d'alimentation CA incorrecte.

## ANTHEM ROOM CORRECTION (MISE À NIVEAU FACULTATIVE)

Votre caisson de basses intègre la technologie Anthem Room Correction pour optimiser la sortie des basses fréquences dans votre pièce. Le système ARC de votre caisson de basses utilise un ordinateur et un microphone connectés via des câbles USB.

ARC Genesis utilise plusieurs points de mesure, au moins cinq, mais jusqu'à dix, permettant à ARC Genesis d'analyser les caractéristiques uniques de votre pièce. Le logiciel ARC Genesis calcule des courbes de correction pour chaque point de mesure, réduisant considérablement les erreurs d'arrondi des "calculatrices" moins sophistiquées, comme celles utilisées dans les systèmes d'égalisation de pièces standard. De plus, le logiciel ARC Genesis est capable de se calibrer à des microphones individuels, éliminant ainsi les interférences potentielles qui pourraient fausser les données.

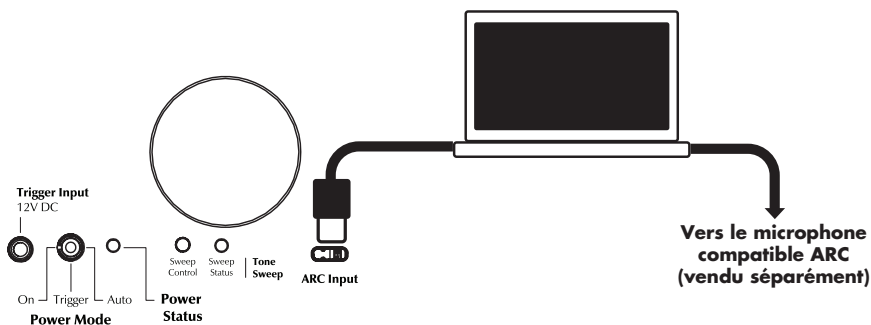
Bien que ARC Genesis soit conçu pour ajuster la sortie du subwoofer afin de minimiser les anomalies sonores causées par les interactions avec la pièce, il est toujours recommandé d'utiliser des méthodes traditionnelles pour obtenir une réponse plate avant d'appliquer une correction acoustique numérique. N'oubliez pas que le placement du caisson est l'un des paramètres les plus influents lorsqu'il s'agit d'interactions basses fréquences anormales dans la pièce. La position d'écoute est également importante pour la réponse des basses, mais est souvent dictée par d'autres facteurs plus difficiles à modifier.

ARC Genesis dans votre subwoofer ne remplace pas les systèmes de correction acoustique conçus pour optimiser les systèmes audio multi-canaux sur l'ensemble de la plage de fréquences. Lorsque vous commencez à optimiser la performance d'un système audio multi-canaux, la première étape doit toujours être un réglage approprié du subwoofer ainsi que des haut-parleurs avant, central et surround. La prochaine étape consiste à utiliser ARC Genesis pour ajuster la sortie du subwoofer afin de tenir compte des interactions avec la pièce. Ce n'est qu'après avoir correctement réglé les haut-parleurs et subwoofers, y compris l'utilisation d'ARC Genesis sur le(s) subwoofer(s), qu'il est temps de lancer le système de correction acoustique complet de votre processeur pour équilibrer la performance globale du système dans la pièce.

### Avant de commencer

Pour utiliser ARC Genesis sur un ordinateur, vous aurez besoin d'un microphone compatible (disponible auprès de votre revendeur MartinLogan). Visitez [anthemarc.com](http://anthemarc.com) pour plus de détails.

**REMARQUE :** Si vous possédez un kit MartinLogan PBK (Perfect Bass Kit) ou Anthem ARC, le microphone inclus avec l'un ou l'autre kit fonctionnera avec le logiciel ARC Genesis pour mesurer votre (vos) subwoofer(s). Avant d'utiliser ARC Genesis sur un ordinateur, connectez votre caisson de basses à l'ordinateur. Utilisez un câble USB pour connecter l'entrée USB (Type C) du caisson à une entrée USB (Type A) de votre ordinateur. Selon la version de votre kit ARC (vendu séparément) et les ports USB disponibles sur votre ordinateur, vous aurez peut-être besoin d'un autre câble ou adaptateur USB.



## Exécution d'ARC Genesis

Avant de lancer ARC Genesis sur un ordinateur, connectez le microphone ARC à votre ordinateur à l'aide du câble USB fourni ou d'un autre câble USB compatible.

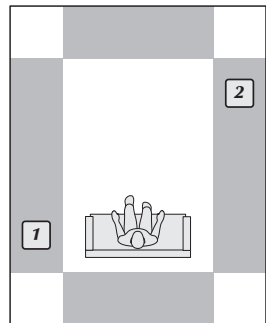
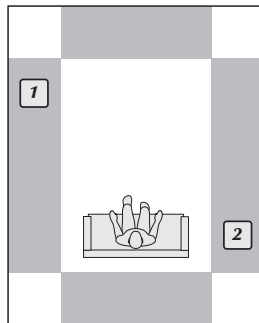
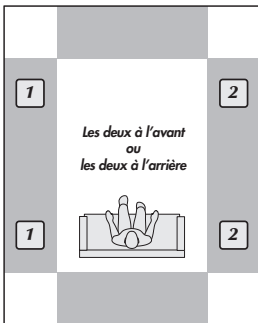
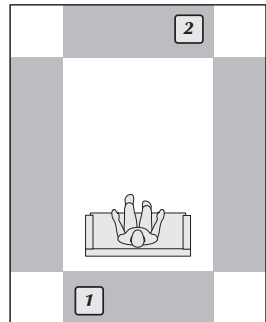
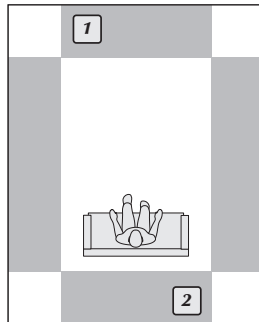
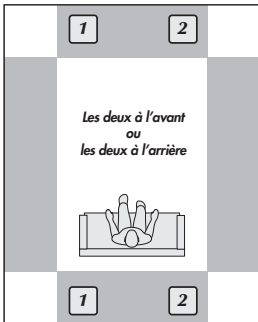
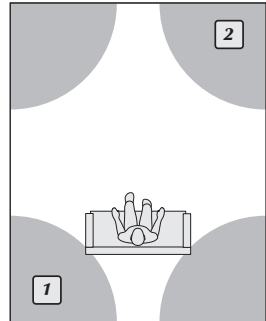
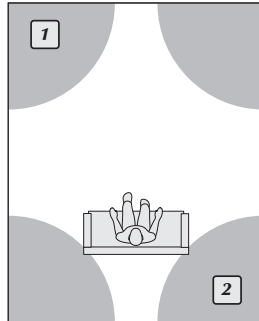
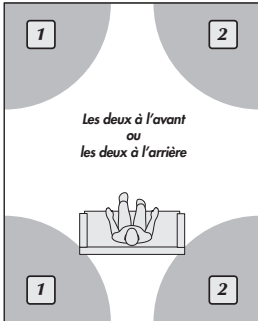
Pour exécuter ARC Genesis, vous devrez télécharger la dernière version du logiciel sur [anthemarc.com](http://anthemarc.com). Vous aurez également besoin d'un microphone compatible ARC Genesis (disponible auprès de votre revendeur MartinLogan). Lors de l'exécution du logiciel, nous recommandons le mode automatique pour la plupart des utilisateurs, car il vous guidera à travers le processus de mesure avec des instructions étape par étape à l'écran. Le mode manuel est destiné aux utilisateurs avancés. Pour plus d'informations, veuillez visiter [anthemarc.com](http://anthemarc.com).

- Avant de lancer ARC Genesis, configurez vos subwoofers en ajustant leur placement.
- Pendant la mesure, ARC Genesis annule les réglages des contrôles de volume, de phase, de filtre passe-bas et de niveau 20–30 Hz, car ces contrôles n'ont pas d'impact sur les mesures. Une fois que la courbe de correction a été téléchargée sur le subwoofer, vous pourrez affiner sa performance en utilisant ces contrôles.
- Lors de la prise de mesures ARC Genesis, le microphone doit être placé approximativement aux emplacements où se trouveront vos oreilles.
- Lors de la prise de mesures, placez le microphone approximativement aux emplacements où se trouveront vos oreilles et orientez-le vers le plafond.
- La pièce doit être silencieuse ; veillez à éteindre ou à éliminer les sources potentielles de bruit.
- ARC Genesis vous demandera de mesurer cinq (ou plus) positions d'écoute. La première position doit être celle de votre écoute principale, et les mesures suivantes doivent être prises à d'autres positions, en veillant à ce qu'elles soient séparées d'au moins 2 pieds.
- Bien qu'il puisse sembler logique de prendre des mesures dans toute la pièce, tels que dans les coins avant ou sur les côtés, concentrez-vous uniquement sur les emplacements où les auditeurs seront réellement présents.

# PLACEMENT

Pour commencer, nous vous recommandons de placer le subwoofer dans l'une des zones ombrées ci-dessous. Les coins produisent généralement le rendement le plus élevé, tandis que le mur avant, près des enceintes, offre un mélange plus fluide avec celles-ci.

Lorsque vous utilisez plusieurs subwoofers, essayez de les placer dans des coins opposés ou sur des murs opposés pour répartir les basses de manière plus uniforme dans la pièce. Pour des résultats encore meilleurs, envisagez de les placer aux extrémités opposées de la pièce, comme illustré dans les schémas ci-dessous.



## **BASE SOLIDE**

Après avoir expérimenté avec votre subwoofer, vous souhaitez peut-être utiliser les pointes de haut-parleur incluses. Une fois installées et nivelées, ces pointes permettent au subwoofer d'être mieux ancré au sol, ce qui resserrera les basses. Cependant, il est conseillé de ne pas les installer tant que vous n'êtes pas certain du placement, car elles peuvent endommager le sol si le subwoofer est déplacé. MartinLogan ne recommande pas d'utiliser des pointes de haut-parleur sur les sols durs.

---

## **AVANTAGES DE PLUSIEURS CAISSONS DE BASSES**

Les avantages d'utiliser plusieurs subwoofers sont bien connus. Avoir deux (ou plusieurs) subwoofers dans un système peut réduire la distorsion en répartissant la charge entre plusieurs woofers, ce qui permet à chaque subwoofer de fournir moins d'effort pour atteindre le même volume. De plus, plusieurs caissons peuvent aider à lisser la réponse en fréquence dans votre pièce, car l'énergie des basses entre désormais par plusieurs points, au lieu d'un seul. Cette technique permet à chaque subwoofer de compenser les lacunes de sortie des basses causées par la taille, la construction et le placement de la pièce, qui pourraient autrement être inévitables avec un seul subwoofer. Le bénéfice le plus évident pour ceux qui recherchent un impact maximal est l'augmentation du volume maximum potentiel avec le nombre de woofers. Enfin, un aspect visuellement plus symétrique peut être obtenu en plaçant le même nombre de caissons dans la pièce. C'est une voie d'amélioration que l'on peut toujours envisager ultérieurement pour ceux qui souhaitent encore optimiser les performances.

---

## **INFORMATIONS GÉNÉRALES**

### **INFORMATIONS DE GARANTIE**

MartinLogan, Ltd. garantit ce caisson de basses contre tout défaut de fabrication ou défaillance des composants internes, sous réserve d'une durée de 3 ans. Cette garantie expire à la date anniversaire de la date d'achat du produit ou de la date de livraison.

La garantie n'est valide que si l'achat de ce produit a été effectué auprès d'un revendeur ou distributeur MartinLogan autorisé. Une copie du reçu de vente original d'un revendeur ou distributeur MartinLogan autorisé est requise pour tout travail sous garantie.

### **SERVICE**

Si vous utilisez votre produit MartinLogan dans un pays autre que celui dans lequel il a été initialement acheté, nous vous demandons de noter les points suivants :

1. Le distributeur MartinLogan désigné pour un pays donné est uniquement responsable du service de garantie sur les unités distribuées par ou par son intermédiaire dans ce pays conformément à sa garantie applicable.
2. Si un produit MartinLogan nécessite un service dans un pays autre que celui où il a été initialement acheté, l'utilisateur final peut demander à faire effectuer les réparations par le distributeur MartinLogan le plus proche, sous réserve des politiques de service local de ce distributeur. Cependant, tous les coûts de réparation (pièces, main-d'oeuvre, transport) doivent être à la charge du propriétaire du produit MartinLogan.
3. Si, après avoir possédé votre enceinte pendant six mois, vous déménagez dans un pays autre que celui dans lequel vous avez acheté votre enceinte, votre garantie peut être transférable. Contactez MartinLogan pour plus de détails.



## NUMÉRO DE SÉRIE

Le numéro de série se trouve à l'arrière de l'enceinte, directement en dessous du nom du modèle. Il peut également être trouvé sur l'emballage du produit.

## Demandez à votre revendeur

Votre revendeur MartinLogan peut vous proposer de nombreuses options pour un placement optimal du caisson de basses. Il dispose également de divers outils, tels que son expérience, sa connaissance de l'équipement associé, et même des équipements d'analyse sonore, ce qui peut faciliter la tâche de déterminer le placement idéal du subwoofer.

## Bonne écoute

Les caissons de basses MartinLogan sont très raffinés et tireront profit d'une attention particulière lors de leur installation. Avec ces conseils de placement en tête, vous constaterez, au fil des mois d'écoute, que de petits ajustements peuvent entraîner des différences notables. En utilisant votre caisson de basses, n'hésitez pas à expérimenter avec le positionnement jusqu'à ce que vous trouviez la relation optimale entre votre pièce, les réglages et le caisson qui vous donnera les meilleurs résultats. Vos efforts seront récompensés !

---

## DÉPANNAGE

### Aucun son

- Vérifiez que tous les composants du système sont allumés et que le matériel source est en cours de lecture.
- Vérifiez les câbles et les connexions des enceintes.
- Vérifiez tous les câbles d'interconnexion.
- Si vous ne parvenez pas à résoudre votre problème, veuillez contacter votre revendeur ou le service client MartinLogan (voir ci-dessous).

---

## CONTACTER LE SERVICE CLIENT

### Téléphone

(785) 749-0133

**Lundi vendredi**

8 AM – 5 PM CT

### E-mail

[service@martinlogan.com](mailto:service@martinlogan.com)

### Réseaux sociaux



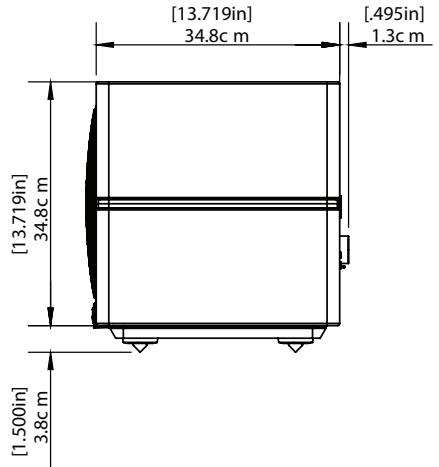
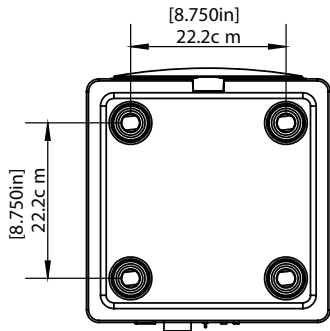
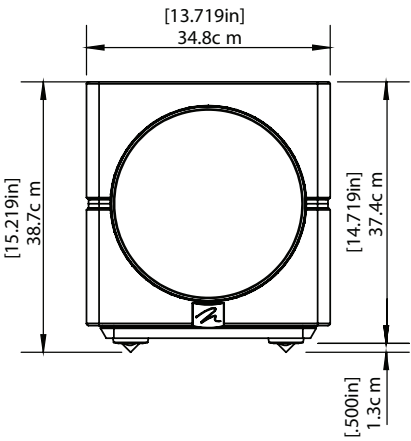
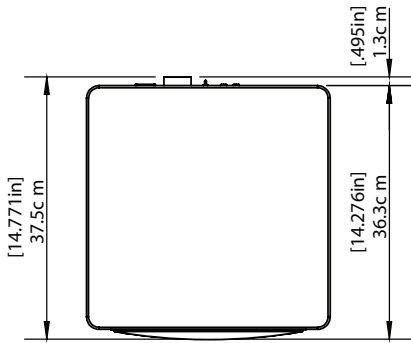
# SPÉCIFICATIONS\*

## Dynamo® 10 Subwoofer

\*Les spécifications sont assujetties à changement sans préavis.

<b>Frequency Response</b> . . . . .	23 Hz-120 Hz (anéchoïque via l'entrée LFE)
<b>Low Frequency Driver</b> . . . . .	Cône en aluminium à haute excursion de 10" (25,4 cm) dans un panier en acier estampé
<b>Cabinet</b> . . . . .	Caisson en MDF scellé de 1" d'épaisseur avec déflecteur de woofer en MDF renforcé
<b>Amplifier Power</b> . . . . .	Amplificateur MartinLogan Magnitude MT-1 kW 1 000 W en crête (500 W en continu)
<b>DSP</b> . . . . .	Processeur DSP Vojtko ultra haute résolution de 500 MHz avec traitement 64 bits
<b>Contrôles (sur le panneau arrière)</b> . . . . .	Niveau : bouton interactif rétroéclairé par LED, Min-Max Balayage de tonalité : démarrage et pause du balayage (avec voyant d'état) Mode d'alimentation : activé, déclencheur 12 V, automatique. Bouton de l'appairage audio sans fil (pour l'émetteur sans fil MartinLogan inclus)
<b>Contrôles (via bluetooth using MartinLogan control app)</b> . . . . .	Niveau : -40 à 12 dB (Min-Max) Filtre passe-bas (fréquence) : 35-120 Hz (incréments de 1°) Filtre passe-bas (ordre) : Bypass, Troisième, Quatrième Phase : 0-180° (incréments de 1°) Phase (polarité) : normale, inversée Modes d'écoute prédéfinis : film, musique, nuit Niveau 20-30 Hz : ±10 dB (incrément de 1 dB) Correction acoustique Anthem (ARC Genesis) : activée, désactivée Balayage de tonalité (120-20 Hz) : activé, désactivé, pause (fréquence)
<b>Entrées</b> . . . . .	Niveau ligne : gauche, droite et LFE XLR : LFE Entrée niveau haut-parleur : gauche et droite (nécessite des fiches banane)
<b>Entrée sans fil</b> . . . . .	Récepteur sans fil intégré Émetteur sans fil inclus
<b>Sorties</b> . . . . .	RCA Sub Out (combine et répète tous les signaux entrants vers un caisson de basses supplémentaire)
<b>Consommation d'énergie</b> . . . . .	Max : 1 000 W En veille (sans fil désactivé) : 0,5 W Veille (sans fil activé) : <2 W (émetteur et caisson de basses combinés)
<b>Pieds</b> . . . . .	Pieds anti-vibrations intégrés (pointes pour haut-parleur incluses)
<b>Poids</b> . . . . .	42,8 lb (19,4 kg)
<b>Dimensions (HxLxP)</b> . . . . .	14-3/4" x 13-3/4" x 13-3/4" (sans inclure les pointes de haut-parleur optionnelles, (37,3 cm x 34,8 cm x 34,8 cm) la grille du woofer ou le bouton de volume)
<b>Finitions</b> . . . . .	Noir laqué ou blanc satiné

# DIMENSIONS DU PRODUIT



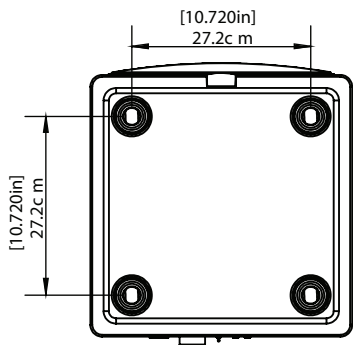
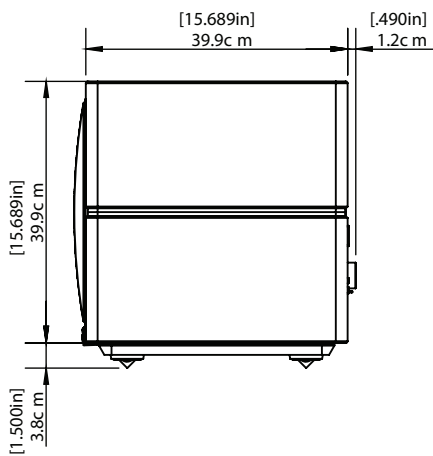
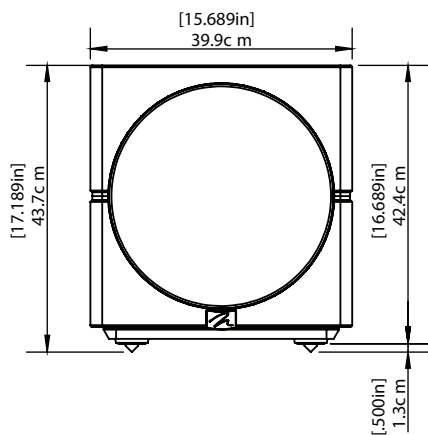
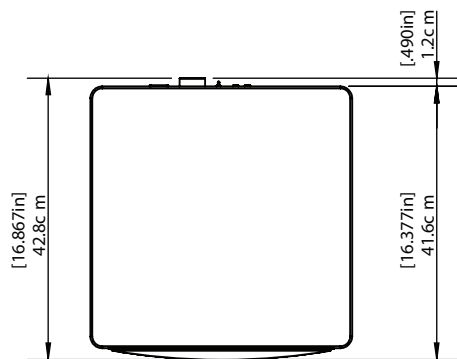
# SPÉCIFICATIONS\*

## Dynamo® 12 Subwoofer

\*Les spécifications sont assujetties à changement sans préavis.

<b>Frequency Response</b> . . . . .	22 Hz-120 Hz (anéchoïque via l'entrée LFE)
<b>Low Frequency Driver</b> . . . . .	Cône en aluminium à haute excursion de 12" (30,5 cm) dans un panier en acier estampé
<b>Cabinet</b> . . . . .	Caisson en MDF scellé de 1" d'épaisseur avec déflecteur de woofer en MDF renforcé
<b>Amplifier Power</b> . . . . .	Amplificateur MartinLogan Magnitude MT-1, 6 kW 1 600 W en crête (800 W en continu)
<b>DSP</b> . . . . .	Processeur DSP Vojtko ultra haute résolution de 500 MHz avec traitement 64 bits
<b>Contrôles (sur le panneau arrière)</b> . . . . .	Niveau : bouton interactif rétroéclairé par LED, Min-Max Balayage de tonalité : démarrage et pause du balayage (avec voyant d'état) Mode d'alimentation : activé, déclencheur 12 V, automatique. Bouton de l'appairage audio sans fil (pour l'émetteur sans fil MartinLogan inclus)
<b>Contrôles (via bluetooth using MartinLogan control app)</b> . . . . .	Niveau : -40 à 12 dB (Min-Max) Filtre passe-bas (fréquence) : 35-120 Hz (incrément de 1°) Filtre passe-bas (ordre) : Bypass, Troisième, Quatrième Phase : 0-180° (incrément de 1°) Phase (polarité) : normale, inversée Modes d'écoute prédéfinis : film, musique, nuit Niveau 20-30 Hz : ±10 dB (incrément de 1 dB) Correction acoustique Anthem (ARC Genesis) : activée, désactivée Balayage de tonalité (120-20 Hz) : activé, désactivé, pause (fréquence)
<b>Entrées</b> . . . . .	Niveau ligne : gauche, droite et LFE XLR : LFE Entrée niveau haut-parleur : gauche et droite (nécessite des fiches banane)
<b>Entrée sans fil</b> . . . . .	Récepteur sans fil intégré Émetteur sans fil inclus
<b>Sorties</b> . . . . .	RCA Sub Out (combine et répète tous les signaux entrants vers un caisson de basses supplémentaire)
<b>Consommation d'énergie</b> . . . . .	Max : 1 000 W En veille (sans fil désactivé) : 0,5 W Veille (sans fil activé) : <2 W (émetteur et caisson de basses combinés)
<b>Pieds</b> . . . . .	Pieds anti-vibrations intégrés (pointes pour haut-parleur incluses)
<b>Poids</b> . . . . .	61,5 lb (10,8 kg)
<b>Dimensions (HxLxP)</b> . . . . .	16-3/4" x 15-3/4" x 15-3/4" (sans inclure les pointes de haut-parleur optionnelles, (42,4 cm x 39,9 cm x 39,9 cm) la grille du woofer ou le bouton de volume)
<b>Finitions</b> . . . . .	Noir laqué ou blanc satiné

## DIMENSIONS DU PRODUIT





**MARTIN LOGAN®**

Lawrence, Kansas, USA    tel. 785.749.0133    fax 785.749.5320    [www.martinlogan.com](http://www.martinlogan.com)

©2024 MartinLogan Ltd. Tous droits réservés.

Rev. #01