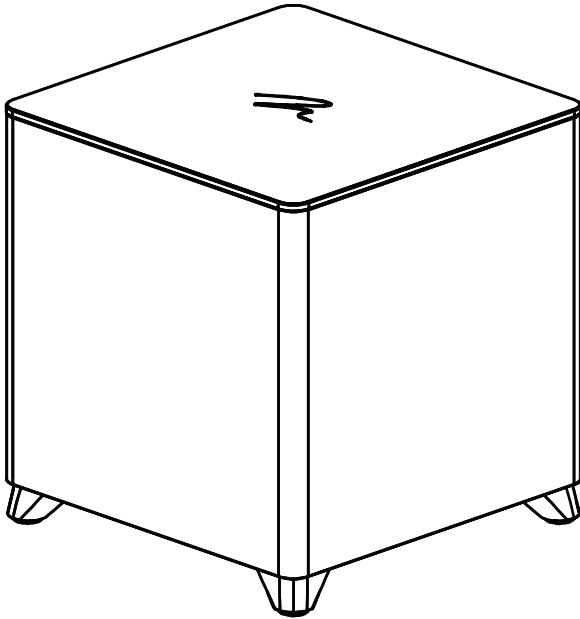


DYNAMO™

FOUNDATION® 10

by *MARTIN LOGAN®*



MARTIN LOGAN®



The lightning bolt flash with arrowhead symbol, within an equilateral triangle, is intended to alert the user to the presence of potentially “dangerous voltage” within the product’s enclosure that may be sufficient to constitute a risk of electric shock.



The exclamation point within an equilateral triangle is intended to alert the user to the presence of important operating and maintenance (servicing) instructions in the literature accompanying the appliance.

WARNING!

- Refer servicing to a qualified technician.
- To prevent fire or shock hazard, do not expose this module to moisture.
- Turn subwoofer off should any abnormal conditions occur.



WARNING!

Changes or modification to this unit not expressly approved by the party responsible for compliance could void the user authority to operate the equipment.



Notes:

This equipment has been tested and found to comply with the limits for a Class B digital device, pursuant to part 15 of the FCC Rules. These limits are designed to provide reasonable protection against harmful interference in a residential installation. This equipment generates, uses and can radiate radio frequency energy and, if not installed and used in accordance with the instructions, may cause harmful interference to radio communications. However, there is no guarantee that interference will not occur in a particular installation. If this equipment does cause harmful interference to radio or television reception, which can be determined by turning the equipment off and on, the user is encouraged to try to correct the interference by one or more of the following measures:

- Increase the separation between the equipment and receiver.
- Connect the equipment into an outlet on a circuit different from that to which the receiver is connected.
- Consult the dealer or an experienced radio/TV technician for help.

PROTECTIVE EARTHING TERMINAL (if applicable)

The apparatus should be connected to a mains socket outlet with protective earthing connection.



Where the mains plug or an appliance coupler is used as the disconnect device, the disconnect device shall remain readily operable.



In accordance with the European Union WEEE (Waste Electrical and Electronic Equipment) directive effective August 13, 2005, we would like to notify you that this product may contain regulated materials which upon disposal, according to the WEEE directive, require special reuse and recycling processing. For this reason Martin Logan has arranged with our distributors in European Union member nations to collect and recycle this product at no cost to you.

To find your local distributor please contact the dealer from whom you purchased this product, email info@martinlogan.com or visit the distributor locator at www.martinlogan.com.

Please note, only this product itself falls under the WEEE directive. When disposing of packaging and other related shipping materials we encourage you to recycle these items through the normal channels.

EU COMPLIANCE INFORMATION

Hereby, PML Sound International declares that this Foundation® 10 Subwoofer is in compliance with the essential requirements and other relevant provisions of the following EU Compliance Directive Information.

- Conforms to European Union Low Voltage Directive 2014/35/EU;
 - European Union EMC Directive 2014/30/EU;
 - European Union Eco-Design Directive 2009/125/EC;
 - European Union WEEE Directive 2012/19/EU;
 - European Union Restriction of Hazardous Substances Recast (RoHS2) Directive 2011/65/EU;
 - European Union Registration, Evaluation, Authorization and Restriction of Chemicals (REACH) Directive 2006/121/EC;
- You may obtain a free copy of the Declaration of Conformity by contacting your dealer, distributor, or PML Sound International’s worldwide headquarters. Contact information can be found here: <http://www.martinlogan.com>

- Max temperature: 40C
- Min temperature: -33C
- Max altitude: 2000m
- Max humidity: 95% non-condensing

TABLE OF CONTENTS

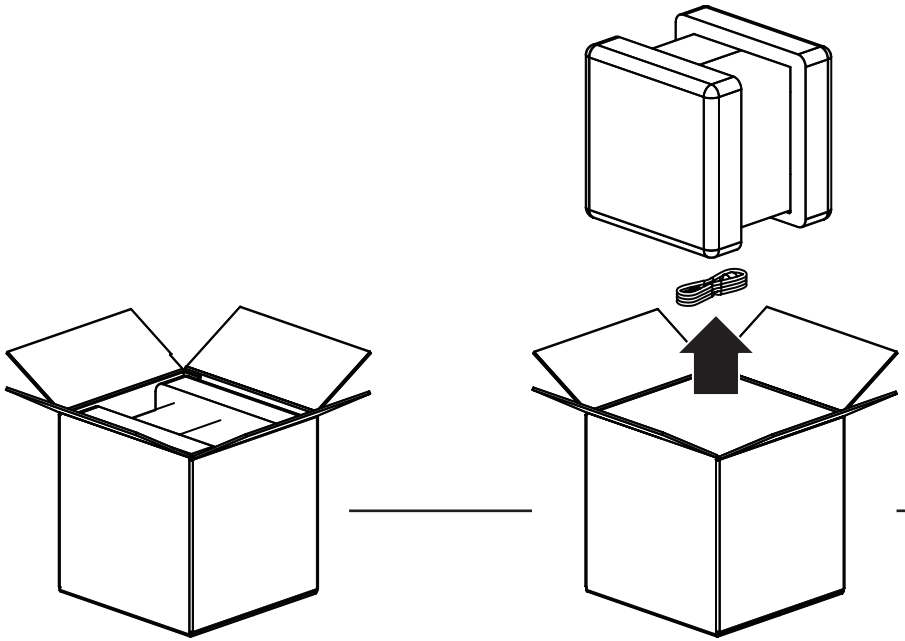
Unboxing & Contents	5
Controls	7
Low-Pass Filter	7
Volume	7
Power Mode	7
Phase	7
Audio Signal Connections	9
Line Level Input (Left In / Right In)	9
AC Power Connection	9
Break In	9
Placement	10
Benefits of Multiple Subwoofers	11
Troubleshooting	11
Contacting Customer Service	11
General Information	12
Warranty Information	12
Serial Number	12
Service	12
Ask Your Dealer	12
Specifications	13
Product Dimensions	14

Serial Number: _____

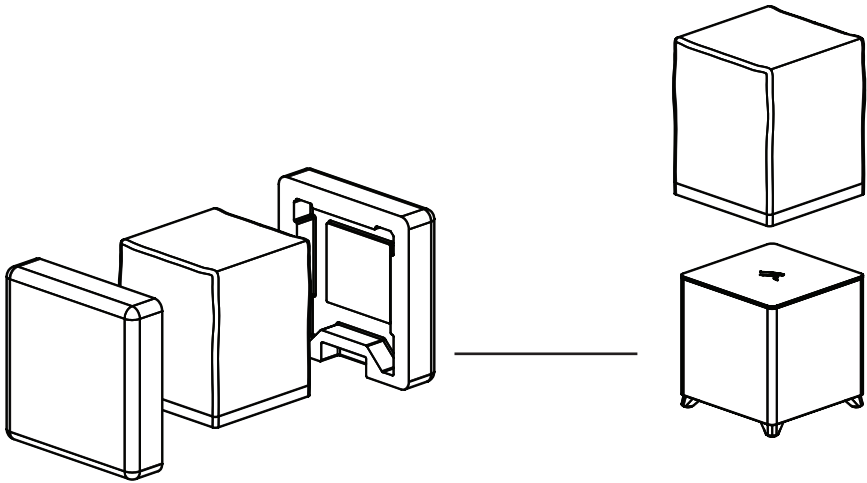
Record your serial number here for easy reference. You will need this information when filling out your warranty registration. The serial number is located near the binding posts and on the product carton.



UNBOXING & CONTENTS

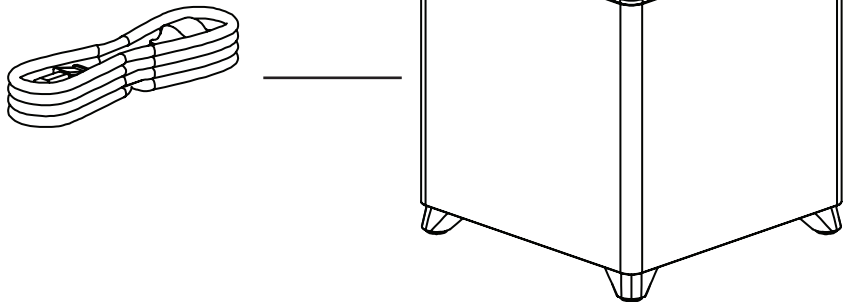


DYNAMO™
FOUNDATION® 10
by MARTIN LOGAN®



- Power Cord
- Subwoofer

*Subwoofer cable **not** included



CONTROLS

Low-Pass Filter

The Low Pass Filter lets you adjust the low-pass frequency for the left and right inputs. The Low-Pass filter value sets the point where the subwoofer will begin to “roll off” or gradually reduce its output. You do not want your subwoofer playing sounds that are too high in frequency, nor do you want to give your subwoofer too little content to play. This control does not act like a “brick wall” where it completely cuts off sounds above the chosen value, again, it marks the point where the subwoofer will gradually fade out.

If you are using this subwoofer as an LFE channel in a home theater system, or your electronic device already has a built-in Low-Pass Filter, set this control to Bypass. In this mode your electronics will handle the bass management instead of the subwoofer. If your device has a Low-Pass Filter and you do not set the subwoofer’s Low-Pass Filter to “Bypass” then you will essentially have 2 filters stacked on top of each other which can significantly reduce the bass output in certain ranges.

If you are using this subwoofer in a 2-channel stereo system, or with a device that does not have a built in Low-Pass Filter, set this control to your desired value. As a general rule, the Low-Pass Filter in these systems is typically set in increments of 20Hz (40/60/80/100) and typically will not exceed 80Hz. 80Hz is often a good starting point for a wide variety of systems. You will not harm anything by experimenting with different settings here. Choose the one you think sounds best.

Volume

Most AV Receivers or Processors have some form of auto-setup/calibration feature that will typically set the levels of the speakers and subwoofer(s). If using this feature, you can set the volume knob on the subwoofer to roughly the halfway point and let the system calibrate the level for you. If you desire more or less bass than what it configures for you, simply adjust the subwoofer volume control (or the subwoofer level control in your electronics) to achieve your preferred sound.

Power Mode

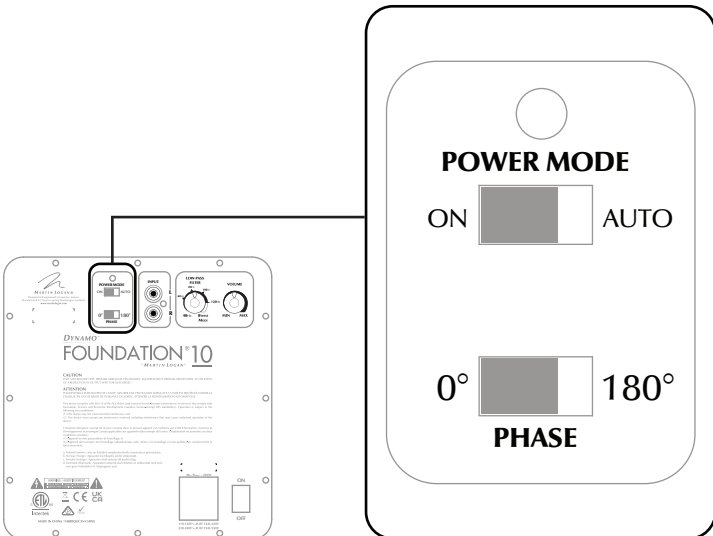
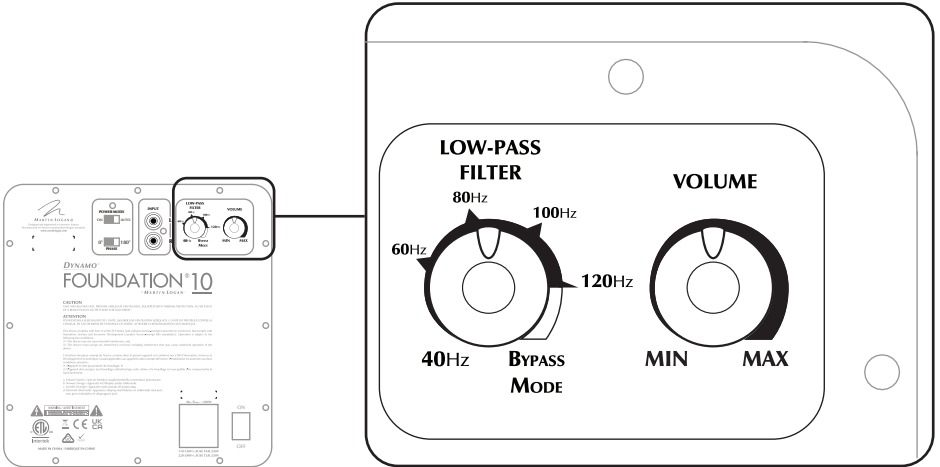
This subwoofer features a signal-sensing power supply that when set to “AUTO” will automatically turn the subwoofer on when a signal is detected on either the Left or Right RCA inputs. It will also power off the subwoofer after sensing no signal for several minutes. The “ON” power mode leaves the subwoofer powered on and ready to play all the time with no delay, but will draw more power while not actively in use.

Phase

The Phase switch allows you to adjust the phase of the subwoofer to 0 or 180°. The Phase control is entirely dependent on numerous factors including the size and configuration of your listening environment, the placement of the unit, and seating arrangement. Due to the way bass sound waves develop in different rooms; there is no rule of thumb for setting phase. For instance, if your room has a peak at the subwoofer crossover area, you may wish to set the phase so the actual acoustic outputs of the subwoofer and main speakers are out of phase. Experiment and try different settings and be patient, ultimately choose the setting that sounds best to you using a variety of content you like to listen to.

Phase continued

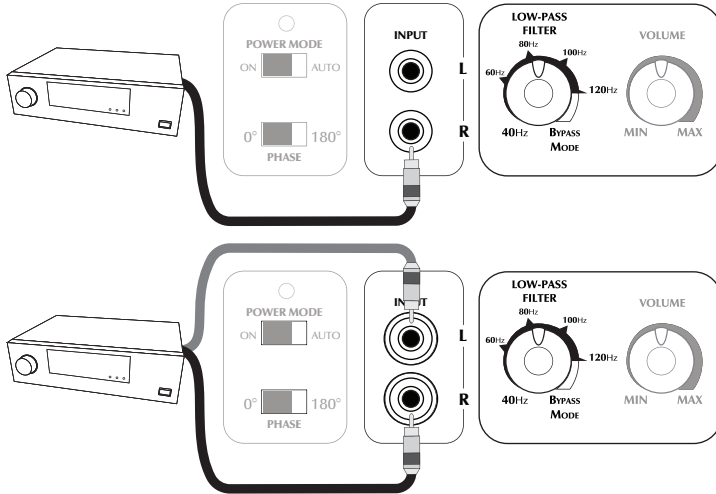
If you are using the subwoofer to augment other MartinLogan products, we suggest starting with the phase set at 0°. In a system where phase and polarity are properly set, the main speakers and subwoofer should work together and sound as if there is more total bass in the system. If your main speakers and subwoofers are out of phase their sound waves will cancel each other and total bass output in the system will sound decreased.



AUDIO SIGNAL CONNECTIONS

Line Level Input (Left In / Right In)

Connect from the Main Out/Pre Out/Sub Out on your receiver/pre-amp/electronic device. The setting for the Low-Pass Filter control is applied to the signal received through these inputs unless the Low-Pass filter control is set to Bypass. The Left and Right inputs will be summed internally, so the subwoofer will play content from the Left input, Right input or both simultaneously. Either of the inputs can be used if your device only has a single output.



AC Power Connection



The power cord should not be installed, removed, or left detached from the subwoofer while the other end is connected to an AC power source. The IEC power cord should be firmly inserted into the AC power receptacle on the rear connection panel of the subwoofer, then to any convenient AC wall outlet. The sub also integrates a signal-sensing power supply that automatically switches off after sensing no music signal for several minutes (this will occur when the power switch is set to 'Auto'). Your subwoofer is wired for the power service supplied in the country of original consumer sale. The AC power rating applicable to a particular unit is specified both on the packing carton and on the serial number plate attached to the subwoofer. If you remove your subwoofer from the country of original sale, be certain that AC power supplied in any subsequent location is suitable before connecting and operating the subwoofer. Substantially impaired performance or severe damage may occur to the subwoofer if operation is attempted from an incorrect AC power source.

Break In

50 hrs

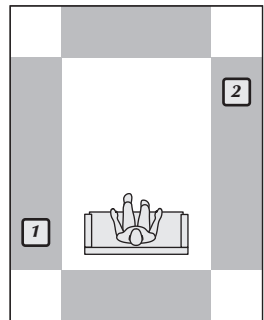
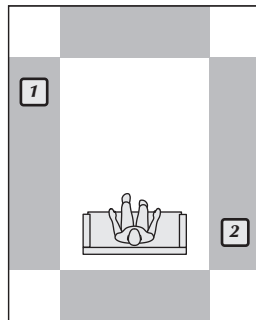
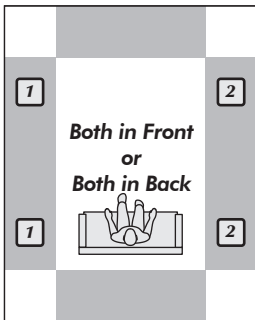
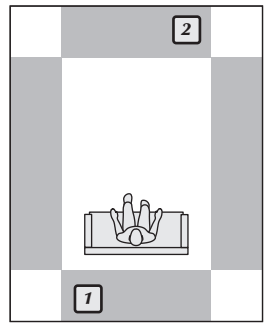
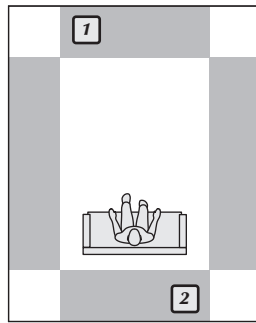
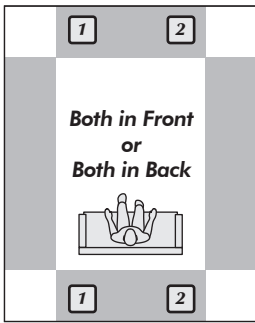
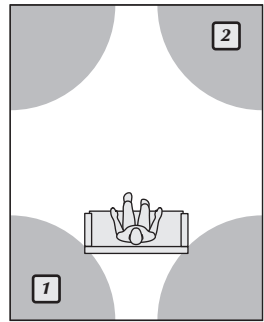
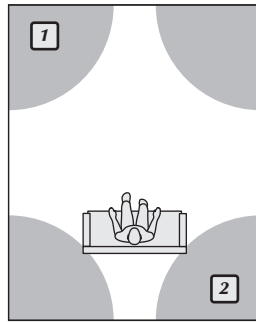
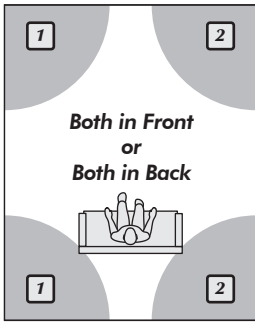
Our custom made woofers require approximately 50 hours of breakin at moderate listening levels before their optimal performance occurs. This will factor in on any critical listening and judgment.

PLACEMENT

Placement

As a starting point, we recommend placing the subwoofer in one of the shaded areas below. The corners will typically yield the highest output, while the front wall near the speakers typically provides the most seamless blend with the main speakers.

When using multiple subwoofers try to place them in opposite corners or opposite walls in order to help spread the bass into the room more evenly. For even better results, try and place the subwoofers at opposite ends of the room as illustrated in the below diagrams.



BENEFITS OF MULTIPLE SUBWOOFERS

The benefits of using multiple subwoofers are well known. Having two (or more) subwoofers in a system can reduce distortion by sharing the load across multiple woofers, allowing each subwoofer to do less work in order for the system to achieve the same volume. Multiple subs can also be used to smooth out the frequency response in your room as bass energy will now enter the room at multiple positions, instead of only one. This technique allows each subwoofer to help fill in gaps in bass output caused by room size, construction, and placement that may otherwise be unavoidable when using only a single subwoofer. The most obvious benefit for those interested in maximum impact, is the increase in maximum potential volume as your woofer count goes up. Last but not least, a more visually symmetrical look can be achieved when an equal number of subwoofers are placed in a room. This is an upgrade path that can always be followed at a later date for those looking to further improve performance.

TROUBLESHOOTING

No Output

- Check that all system components are turned on and source material is playing.
- Check speaker wires and connections.
- Check all interconnecting cables.
- If you are unable to resolve your problem, please contact your dealer or MartinLogan customer service (see below).

CONTACTING CUSTOMER SERVICE

Phone

(785) 749-0133

Monday — Friday

8 AM – 5 PM CT

Email

service@martinlogan.com

Social Media



GENERAL INFORMATION

WARRANTY INFORMATION

MartinLogan, Ltd. warrants this subwoofer to be free of manufacturing defects in material and workmanship, subject for a period of 3 years. This warranty expires on the anniversary of the product's date of delivery.

The warranty is only valid if purchase of this product was made through an authorized MartinLogan dealer or distributor. A copy of the original receipt of sale from an authorized MartinLogan dealer or distributor is required for any warranty work.

SERVICE

Should you use your MartinLogan product in a country other than the one in which it was originally purchased, we ask that you note the following:

1. The appointed MartinLogan distributor for any given country is responsible for warranty servicing only on units distributed by or through it in that country in accordance with its applicable warranty.
2. Should a MartinLogan product require servicing in a country other than the one in which it was originally purchased, the end user may seek to have repairs performed by the nearest MartinLogan distributor, subject to that distributor's local servicing policies, but all cost of repairs (parts, labor, transportation) must be borne by the owner of the MartinLogan product.
3. If, after owning your speaker for six months, you relocate to a country other than the one in which you purchased your speaker, your warranty may be transferable. Contact MartinLogan for details.

SERIAL NUMBER

The serial number is located on back of the subwoofer, directly below the model name. The serial number may also be found on the product carton.

Ask Your Dealer

Your MartinLogan dealer can suggest many options for optimal subwoofer placement. They also have many tools at their disposal, such as experience, familiarity with the associated equipment, and even sound analysis equipment which may make the task of determining optimal subwoofer placement easier.

Enjoy Yourself

MartinLogan subwoofers are very refined and will benefit from care in setup. With the above placement tips in mind you will find, over months of listening, that small changes can result in measurable differences. As you live with your subwoofer, do not be afraid to experiment with positioning until you find the optimal relationship between your room, settings and subwoofer that gives you the best results. Your efforts will be rewarded!

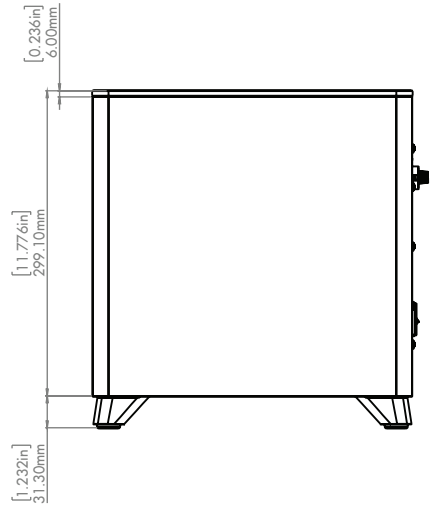
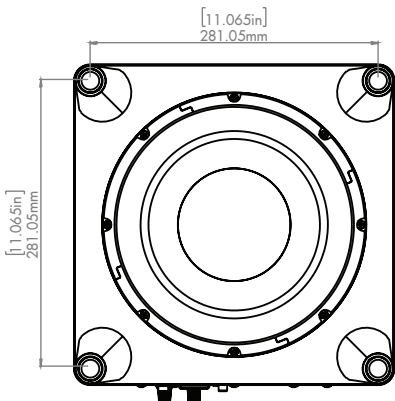
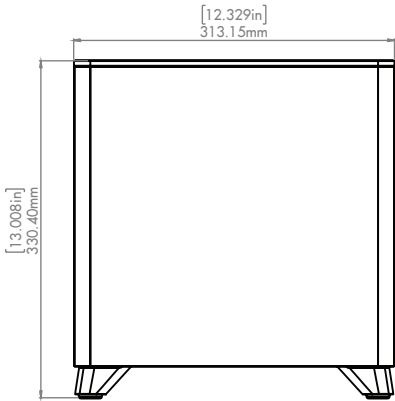
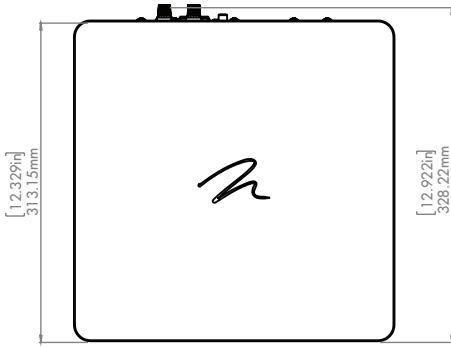
SPECIFICATIONS*

Foundation® 10 Subwoofer

Frequency Response	25Hz-200Hz (in bypass mode)
Low Frequency Driver	10" polypropylene cone
Cabinet	Down-Firing
Amplifier Power	200watt (400watt peak)
Inputs	Left and Right RCA inputs
Weight	23.8lb (10.8kg)
Dimensions (HxWxD)	13" x 12-1/3" x 12-1/3" (33cm x 31.3cm x 31.3cm)
Depth for model including the rear controls	13" (33cm)
Finishes	Black

**Specifications are subject to change without notice.*

PRODUCT DIMENSIONS





Lawrence, Kansas, USA tel. 785.749.0133 fax 785.749.5320 www.martinlogan.com

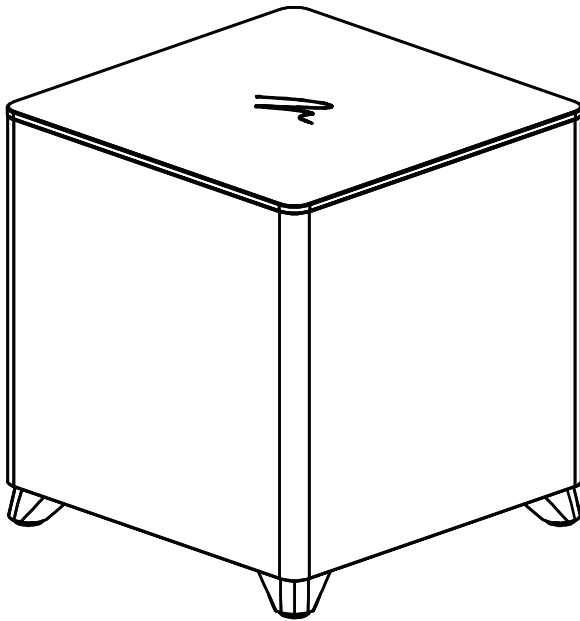
©2024 MartinLogan Ltd. All rights reserved.

Rev. #012

DYNAMO™

FOUNDATION® 10

by *MARTIN LOGAN®*



MARTIN LOGAN®



L'éclair avec le symbole d'une pointe de flèche, dans un triangle équilatéral, est destiné à alerter l'utilisateur de la présence d'une « tension dangereuse » potentiellement à l'intérieur du boîtier du produit qui peut être suffisante pour constituer un risque de choc électrique.



Le point d'exclamation dans un triangle équilatéral est destiné à alerter l'utilisateur de la présence d'instructions importantes d'utilisation et de maintenance (entretien) dans la documentation accompagnant l'appareil.

ATTENTION!

- Confiez l'entretien à un technicien qualifié.
- Pour éviter tout risque d'incendie ou d'électrocution, n'exposez pas ce module à l'humidité.
- Évitez le caisson de basses si des conditions anormales surviennent.



WARNING!

Les changements ou modifications apportés à cet appareil non expressément approuvés par la partie responsable de la conformité pourraient annuler le droit de l'utilisateur à utiliser l'équipement.

Remarques:

Cet équipement a été testé et déclaré conforme aux limites d'un appareil numérique de classe B, conformément à la partie 15 des règles FCC. Ces limites sont conçues pour fournir une protection raisonnable contre les interférences nuisibles dans une installation résidentielle. Cet équipement génère, utilise et peut émettre de l'énergie radiofréquence et, s'il n'est pas installé et utilisé conformément aux instructions, peut provoquer des interférences nuisibles aux communications radio. Cependant, rien ne garantit que des interférences ne se produiront pas dans une installation particulière. Si cet équipement provoque des interférences nuisibles à la réception radio ou télévision, ce qui peut être déterminé en éteignant et rallumant l'équipement, l'utilisateur est encouragé à essayer de corriger les interférences en prenant une ou plusieurs des mesures suivantes :

- Augmentez la séparation entre l'équipement et le récepteur.
- Connectez l'équipement à une prise sur un circuit différent de celui auquel le récepteur est connecté.
- Consultez le revendeur ou un technicien radio/TV expérimenté pour obtenir de l'aide.

Lorsque la fiche secteur ou un coupleur d'appareil est utilisé comme dispositif de déconnexion, le dispositif de déconnexion doit rester facilement utilisable.



Conformément à la directive DEEE (déchets d'équipements électriques et électroniques) de l'Union européenne en vigueur le

13 août 2005, nous souhaitons vous informer que ce produit peut contenir des matériaux réglementés qui, une fois éliminés, selon la directive DEEE, nécessitent un traitement spécial de réutilisation et de recyclage. Pour cette raison, Paradigm s'est arrangé avec nos distributeurs dans les pays membres de l'Union européenne pour collecter et recycler ce produit sans frais pour vous. Pour trouver votre distributeur local, veuillez contacter le revendeur auprès duquel vous avez acheté ce produit, envoyez un e-mail à support@martinlogan.com ou visitez le localisateur de revendeurs sur www.martinlogan.com. Attention, seul ce produit lui-même relève de la directive DEEE. Lorsque vous jetez les emballages et autres matériaux d'expédition connexes, nous vous encourageons à recycler ces articles par les voies normales.

EU COMPLIANCE INFORMATION

Par la présente, PML Sound International déclare que cet Foundation® 10 Subwoofer est conforme aux exigences essentielles et aux autres dispositions pertinentes des informations suivantes sur la directive de conformité de l'UE.

- Conforme à la directive basse tension 2014/35/UE de l'Union européenne ;
- Directive CEM de l'Union européenne 2014/30/UE ;
- Directive d'écoconception de l'Union européenne 2009/125 et CE ;
- Directive DEEE 2012/19/UE de l'Union européenne ;
- Refonte de la directive 2011/65/UE sur la restriction des substances dangereuses (RoHS2) de l'Union européenne ;
- Directive 2006/121/CE sur l'enregistrement, l'évaluation, l'autorisation et les restrictions des produits chimiques (REACH) de l'Union européenne ;
- Vous pouvez obtenir une copie gratuite de la déclaration de conformité en contactant votre revendeur, distributeur ou le siège mondial de PML Son international.

Les coordonnées peuvent être trouvées ici: <http://www.martinlogan.com>

BORNE DE MISE À LA TERRE DE PROTECTION (LE CAS ÉCHÉANT)



L'appareil doit être connecté à une prise secteur avec une connexion de mise à la terre de protection.

Température maximale: 40C

Température minimale: -33C

Altitude maximale: 2000m

Humidité maximale: 95 % sans condensation

TABLE DES MATIÈRES

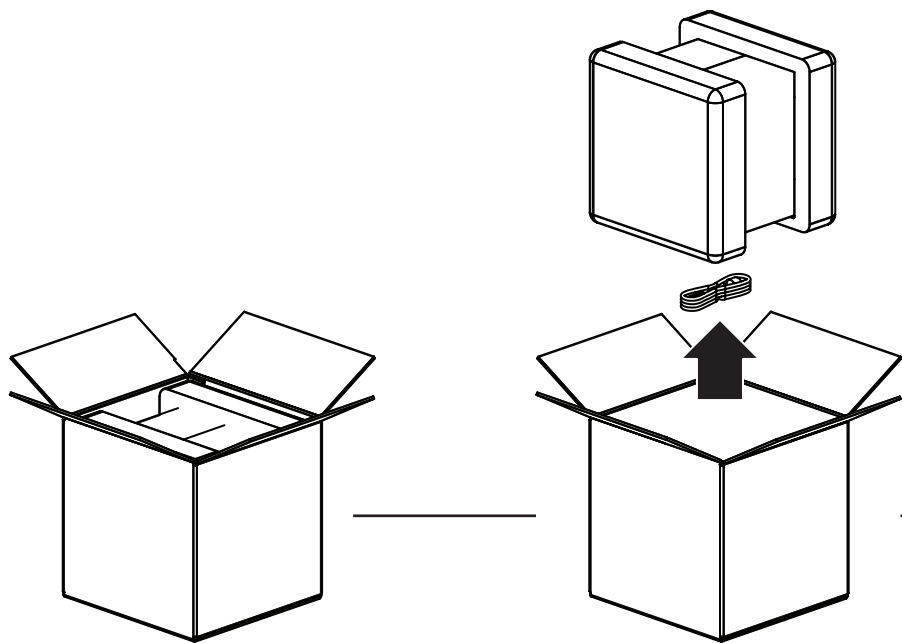
Déballage et contenu	21
Contrôles	23
Filtre passe bas	23
Volume	23
Mode d'alimentation	23
Phase	23
Connexions des signaux audio	25
Entrée à bas niveau (entrée gauche/entrée droite)	25
Connexion d'alimentation CA	25
Rodage	25
Placement	26
Avantage à l'installation de plusieurs caissons	27
Dépannage	27
Contacter le service client	27
Informations générales	28
Informations de garantie	28
Numéro de série	28
Service	28
Demandez à votre revendeur	28
Caractéristiques	29
Dimensions du produits	30

Numéro de série : _____

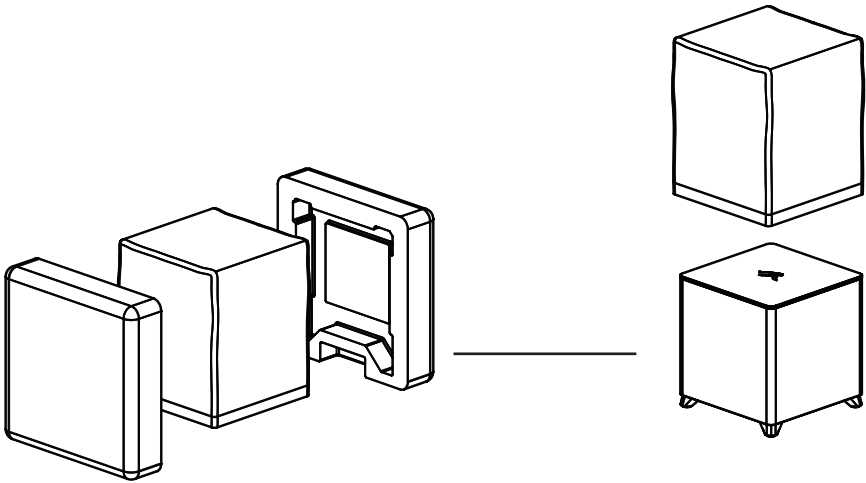
Sauvegardez le numéro de série de votre appareil pour un accès rapide à des fins de garantie. Enregistrement de la garantie- Le numéro de série se trouve à la base des bornes d'entrée et sur le carton d'emballage.



DÉBALLAGE ET CONTENU

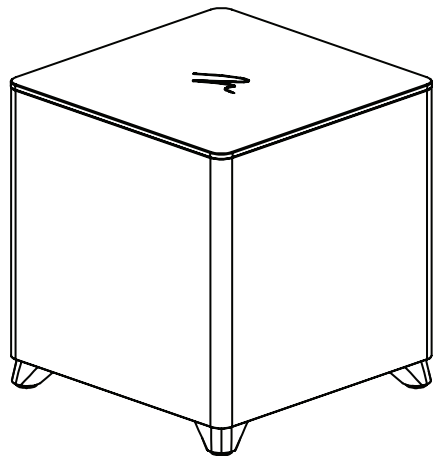
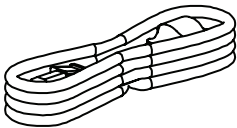


DYNAMO™
FOUNDATION® 10
by MARTIN LOGAN®



- **Cordon d'alimentation**
- **Caisson de basses**

*Câble du caisson de basses
non inclus



CONTRÔLES

Filtre passe bas

Le filtre passe-bas vous permet de régler la fréquence passe-bas pour les entrées gauche et droite. Le filtre passe-bas la valeur définit le point où le subwoofer commencera à « s'atténuer » ou à réduire progressivement sa sortie. Vous ne voulez pas que votre subwoofer joue des sons à fréquence trop élevée, et vous ne voulez pas non plus donner à votre caisson de basse trop peu de signaux pour jouer. Ce contrôle n'agit pas comme un « mur de briques » où il coupe complètement les fréquences supérieures à la valeur choisie, encore une fois, cela marque le point de coupe atténuant les fréquences au-delà de la bande passante progressivement.

Si vous utilisez ce caisson de basses comme canal LFE dans un système de cinéma maison ou votre appareil électronique. Si votre appareil électronique dispose déjà d'un filtre passe-bas intégré, réglez cette commande sur Bypass. Dans ce mode, vos appareils électroniques vont gérer les fréquences au lieu du caisson de basses. Si votre appareil dispose d'un filtre passe-bas et vous ne réglez pas le filtre passe-bas du caisson de basses sur « Bypass » alors vous aurez essentiellement 2 filtres empilés les uns sur les autres, ce qui peut réduire considérablement la sortie des basses dans certaines plages.

Si vous utilisez ce caisson de basses dans un système stéréo à 2 canaux ou avec un appareil qui n'a pas un filtre passe-bas intégré, réglez cette commande sur la valeur souhaitée. Le filtre de ces systèmes est généralement réglé par incréments de 20 Hz (40/60/80/100) et ne le sera généralement pas. dépasser 80 Hz. 80 Hz est souvent un bon point de départ pour une grande variété de systèmes. Toutefois, il n'y a aucun danger en expérimentant différents paramètres ici. Choisissez celui qui vous semble le mieux.

Volume

La plupart des récepteurs ou processeurs AV disposent d'une forme de fonction de configuration/calibrage automatique qui régle les niveaux des haut-parleurs et du(des) subwoofer(s). Si vous utilisez cette fonctionnalité, vous pouvez régler le bouton de volume sur le caisson de basses à peu près à mi-chemin et laissez le système calibrer le niveau pour vous. Si vous désirez plus ou moins de basses que ce qu'il configure pour vous, ajustez simplement le volume du caisson de basses (ou le contrôle du niveau du caisson de basses dans vos appareils électroniques) pour obtenir votre son préféré.

Mode d'alimentation

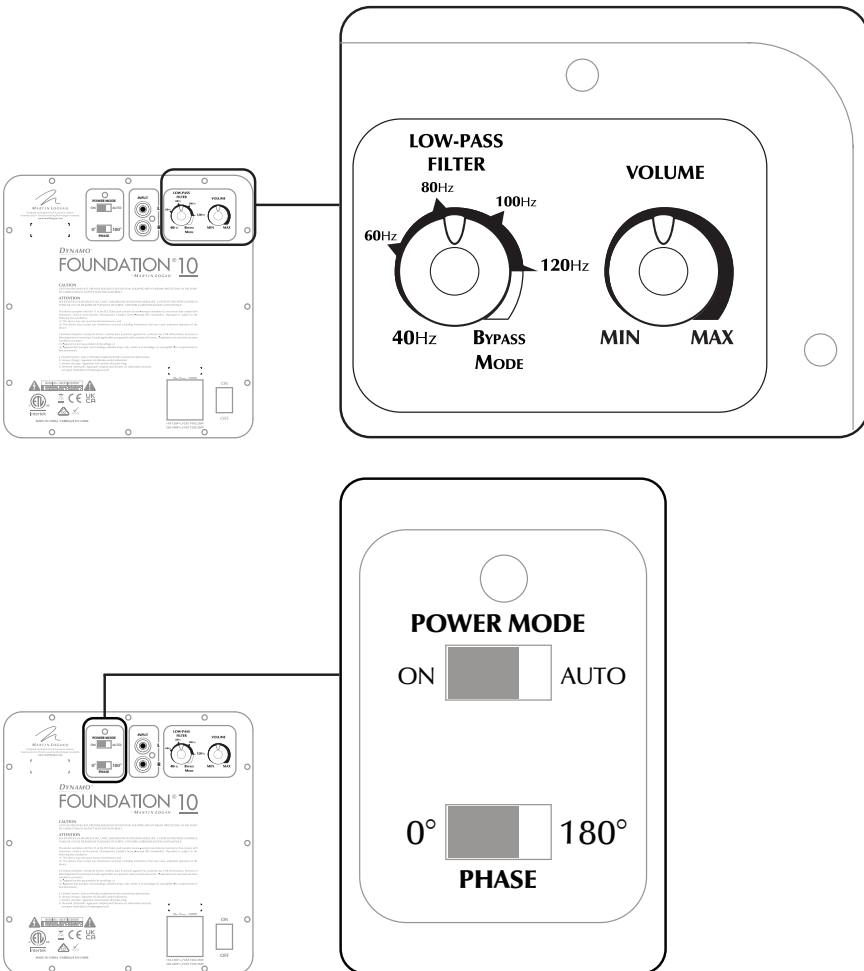
Ce caisson de basses est doté d'une alimentation à détection de signal qui, lorsqu'elle est réglée sur « AUTO », s'allume automatiquement. Le caisson de basses s'allume lorsqu'un signal est détecté sur les entrées RCA gauche ou droite. Il s'éteindra également le caisson de basses après avoir détecté aucun signal pendant plusieurs minutes. Le mode d'alimentation « ON » laisse le caisson de basses allumé et prêt à jouer tout le temps sans délai, mais consommera plus d'énergie lorsqu'il n'est pas activement utilisé.

Phase

Le commutateur Phase permet de régler la phase du subwoofer sur 0 ou 180°. Le contrôle de phase dépend de nombreux facteurs, notamment la taille et la configuration de votre environnement d'écoute, l'emplacement de l'unité et la disposition des sièges. En raison de la manière des ondes sonores graves

se développent dans différentes pièces ; il n'y a pas de règle empirique pour le réglage de la phase. Par exemple, si votre pièce présente un pic à la fréquence du filtre du caisson de basse et de vos enceintes frontales, vous souhaiterez peut-être régler la phase afin que les sorties acoustiques réelles du subwoofer et des enceintes principales soient en phase. Expérimentez et essayez différents réglages et soyez patient, en fin de compte choisissez le paramètre qui vous convient le mieux en utilisant une variété de contenus que vous aimez écouter.

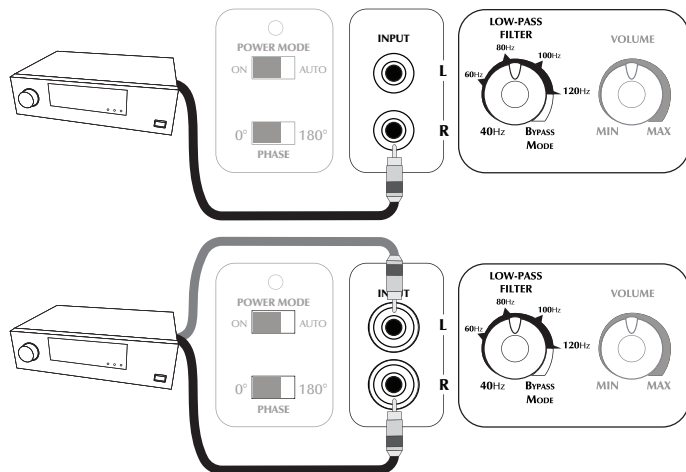
Si vous utilisez le caisson de basses pour compléter d'autres produits MartinLogan, nous vous suggérons en commençant avec la phase réglée à 0°. Dans un système où la phase et la polarité sont correctement réglées, les haut-parleurs principaux et le caisson de basses doivent fonctionner ensemble et produire des basses combinées. Si vos haut-parleurs principaux et vos caissons de basses sont déphasés, leur son les ondes s'annuleront et le niveau de sortie total des basses en sera diminué.



CONNEXIONS DES SIGNAUX AUDIO

Entrée de bas niveau (entrée gauche/entrée droite)

Connectez-vous à partir de la sortie principale/pré-sortie/sortie secondaire de votre récepteur/préampli/appareil électronique. Le réglage de la commande du filtre passe-bas est appliqué au signal reçu via ces entrées sauf si la commande du filtre passe-bas est réglée sur Bypass. Les entrées gauche et droite seront additionnées en interne, de sorte que le subwoofer lira le contenu de l'entrée gauche, de l'entrée droite ou les deux simultanément. L'une ou l'autre des entrées peut être utilisée si votre appareil ne dispose que d'une seule sortie.



Connexion d'alimentation CA



Le cordon d'alimentation ne doit pas être installé, retiré ou laissé détaché du caisson de basses pendant que l'autre extrémité est connectée à une source d'alimentation CA. Le cordon d'alimentation CEI doit être fermement inséré dans la prise d'alimentation CA sur le panneau de connexion arrière du caisson de basses, puis à n'importe quel prise murale. Le sub intègre également une alimentation à détection de signal qui s'éteint automatiquement après avoir détecté aucun signal musical pendant plusieurs minutes (cela se produit lorsque l'interrupteur d'alimentation est réglé sur « Auto »). Votre caisson de basses est câblé pour le service d'alimentation électrique fourni dans le pays de vente au consommateur d'origine. La puissance nominale CA applicable à une unité particulière est spécifiée à la fois sur le carton d'emballage et sur la plaque du numéro de série fixée au caisson de basses. Si vous retirez votre caisson de basses du pays de vente d'origine, assurez-vous que l'alimentation secteur fournie dans tout emplacement ultérieur est adaptée avant de connecter et d'utiliser le caisson de basses. Performances considérablement altérées ou graves des dommages peuvent survenir au caisson de basses si l'opération est tentée à partir d'une source d'alimentation CA incorrecte.

Rodage

✓ ⌚ 50 hrs

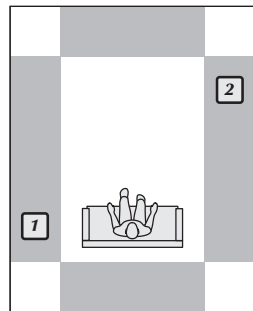
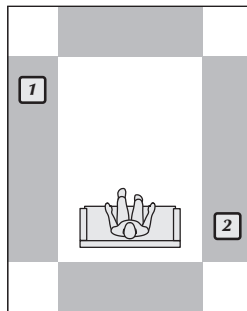
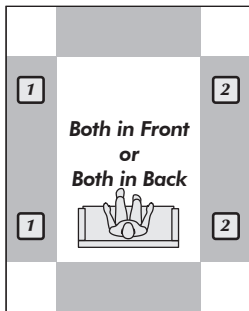
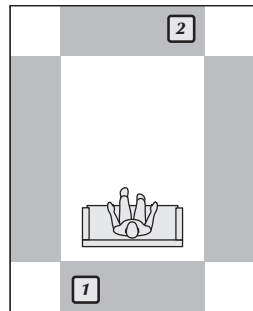
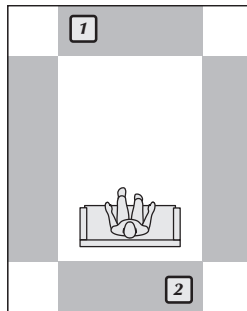
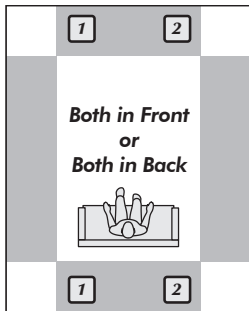
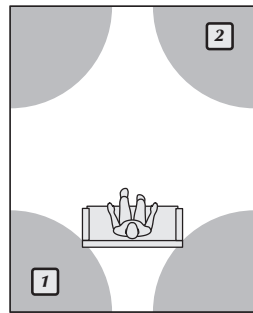
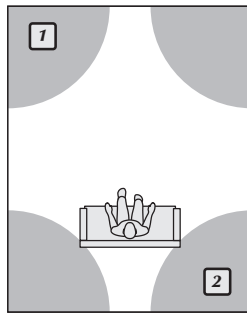
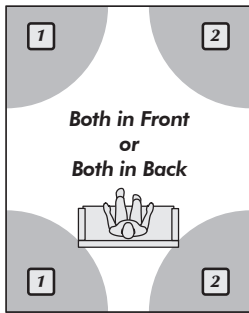
Nos woofers sur mesure nécessitent environ 50 heures de rodage à des niveaux d'écoute modérés avant que leur performance optimale ne se produise. Cela prendra en compte toute écoute critique et tout jugement.

POSITIONNEMENT

Positionnement

Pour commencer, nous vous recommandons de placer le subwoofer dans l'une des zones ombrées ci-dessous. Les coins produisent généralement le rendement le plus élevé, tandis que le mur avant près des haut-parleurs offre généralement le rendu le plus transparent et se fond mieux avec les enceintes principales.

Lorsque vous utilisez plusieurs subwoofers, essayez de les placer dans des coins opposés ou sur des murs opposés afin de faciliter la propagation. les basses dans la pièce de manière plus uniforme. Pour des résultats encore meilleurs, essayez de placer les subwoofers aux extrémités opposées de la pièce comme illustré dans les schémas ci-dessous.



AVANTAGES DE PLUSIEURS CAISSONS DE BASSES

Les avantages de l'utilisation de plusieurs subwoofers sont bien connus. Avoir deux (ou plus) subwoofers dans un système peut réduire la distorsion en partageant la charge sur plusieurs woofers, permettant à chaque subwoofer de faire moins de travail pour que le système atteigne le même volume. Plusieurs caissons peuvent également être utilisés pour lisser la réponse en fréquence dans votre pièce, car l'énergie des basses se propagera désormais dans la pièce de façon uniforme. Cette technique permet à chaque subwoofer d'aider à combler les lacunes dans la sortie des basses causées par la taille ou la géométrie de la pièce et un placement qui pourrait autrement être inévitable lors de l'utilisation d'un seul caisson de basses. Le plus grand bénéfice pour ceux qui souhaitent un impact maximal est l'augmentation du volume potentiel maximum lorsque le volume de votre caisson augmente. Enfin et surtout, un aspect visuellement plus symétrique peut être obtenu lorsqu'un nombre égal de caissons de basses sont placés dans une pièce. Il s'agit d'un cheminement de mise à niveau qui peut toujours être suivi ultérieurement pour ceux qui cherchent à améliorer encore leurs performances.

DÉPANNAGE

Aucun volume de sortie

- Vérifiez que tous les composants du système sont allumés, et le matériel source est en cours de lecture.
- Vérifiez les câbles et les connexions des haut-parleurs.

- Vérifiez tous les câbles d'interconnexion.
- Si vous ne parvenez pas à résoudre votre problème, veuillez contacter votre revendeur ou le service client MartinLogan (voir ci-dessous).

CONTACTER LE SERVICE CLIENT

Téléphone

(785) 749-0133

Lundi — vendredi

8 AM – 5 PM CT

Email

service@martinlogan.com

Réseaux sociaux



INFORMATIONS GÉNÉRALES

INFORMATIONS DE GARANTIE

MartinLogan, Ltd. garantit ce caisson de basses contre tout défaut de fabrication ou défaillance des composants internes, sous réserve d'une durée de 3 ans. Cette garantie expire à la date anniversaire de la date d'achat du produit ou de la date de livraison.

La garantie n'est valable que si l'achat de ce produit a été effectué par l'intermédiaire d'un revendeur MartinLogan agréé revendeur ou distributeur. Une copie du reçu de vente original d'un revendeur MartinLogan agréé ou un distributeur est requis pour tout travail sous garantie.

SERVICE

Si vous utilisez votre produit MartinLogan dans un pays autre que celui dans lequel il a été initialement acheté, nous vous demandons de noter les points suivants :

1. Le distributeur MartinLogan désigné pour un pays donné est uniquement responsable du service de garantie sur les unités distribuées par ou par son intermédiaire dans ce pays conformément à sa garantie applicable.
2. Si un produit MartinLogan nécessite une réparation dans un pays autre que celui dans lequel il a été acheté à l'origine, l'utilisateur final peut demander à ce que les réparations soient effectuées par le MartinLogan le plus proche distributeur, sous réserve des politiques de service locales de ce distributeur, mais tous les coûts de réparation (pièces, main d'oeuvre, transport) doit être assumés par le propriétaire du produit MartinLogan.
3. Si, après six mois de possession de votre enceinte, vous déménagez dans un pays autre que celui dans lequel vous avez acheté votre enceinte, votre garantie peut être transférable. Contactez MartinLogan pour plus de détails.

NUMÉRO DE SÉRIE

Le numéro de série se trouve à l'arrière du caisson de basses, près des bornes d'entr directement sous le nom du modèle. Le numéro peut également être trouvé sur le carton du produit.

Demandez à votre revendeur

Votre revendeur MartinLogan peut vous suggérer de nombreuses options pour un placement optimal du caisson de basses. Ils ont aussi de nombreux outils à leur disposition, tels que l'expérience, la connaissance des équipements associés, et même équipement d'analyse sonore qui peut faciliter la tâche de détermination du placement optimal du caisson de basses.

Bonne écoute

Les caissons de basses MartinLogan sont de performance raffinée et une installation soignée vous procurera des résultats rehaussés. En respectant le conseils de positionnement ci-dessus gardez à l'esprit,, que de petits changements peuvent entraîner des différences mesurables que vous constaterez, au fil des mois d'écoute. Puisque vous vivez avec votre caisson de basses, n'ayez crainte d'expérimenter le positionnement jusqu'à ce que vous trouviez la place optimale dans votre pièce, vos réglages et votre caisson de basses qui vous offrent le meilleur résultats. Vos efforts seront récompensés!

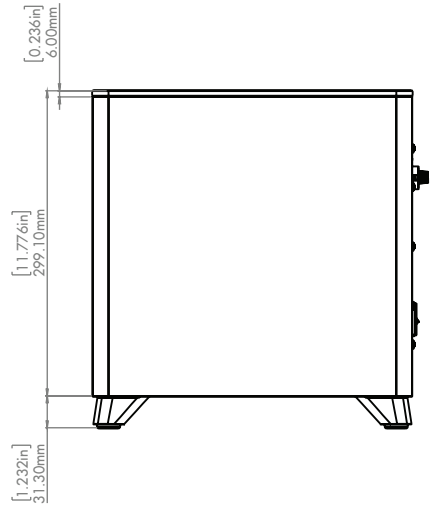
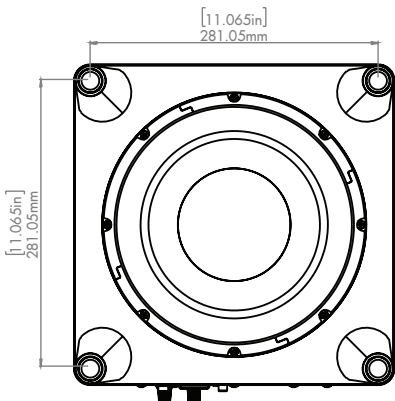
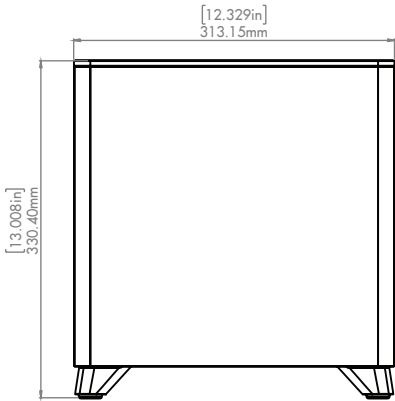
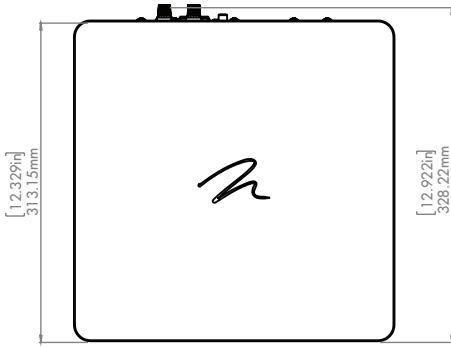
CARACTÉRISTIQUES*

Caisson de basses Foundation® 10

Fréquence de réponse.	25 Hz-200 Hz (en mode "Bypass")
Transducteur de basse fréquence.	Cône en polypropylène de 10"
Cabinet	Propulsé Vers Le Bas
Puissance de l'amplificateur	200 watts (400 watts en crête)
Entrées.	Entrées RCA gauche et droite
Poids	23,8 lb (10,8 kg)
Dimensions (HxLxP)	13" x 12-1/3" x 12-1/3" (33cm x 31.3cm x 31.3cm)
Profondeur pour modèle incluant les commandes arrière	13" (33cm)
Finis.	Noir

*Les spécifications sont assujetties à changement sans préavis.

DIMENSIONS DU PRODUIT





MARTIN LOGAN®

Lawrence, Kansas, USA tél. 785.749.0133 fax 785.749.5320 www.martinlogan.com