

## WARNING!

- Refer servicing to a qualified technician.
- To prevent fire or shock hazard, do not expose this module to moisture.
- Turn amplifier off should any abnormal conditions occur.
- Do not drive speaker beyond its rated power.



The lightning bolt flash with arrowhead symbol, within an equilateral triangle, is intended to alert the user to the presence of potentially "dangerous voltage" within the product's enclosure that may be sufficient to constitute a risk of electric shock.



The exclamation point within an equilateral triangle is intended to alert the user to the presence of important operating and maintenance (servicing) instructions in the literature accompanying the appliance.



In accordance with the European Union WEEE (Waste Electrical and Electronic Equipment) directive effective August 13, 2005, we would like to notify you that this product may contain regulated materials which upon disposal, according to the WEEE directive, require special reuse and recycling processing. For this reason Martin Logan has arranged with our distributors in European Union member nations to collect and recycle this product at no cost to you.

To find your local distributor please contact the dealer from whom you purchased this product, email [info@martinlogan.com](mailto:info@martinlogan.com) or visit the distributor locator at [www.martinlogan.com](http://www.martinlogan.com).

Please note, only this product itself falls under the WEEE directive. When disposing of packaging and other related shipping materials we encourage you to recycle these items through the normal channels.

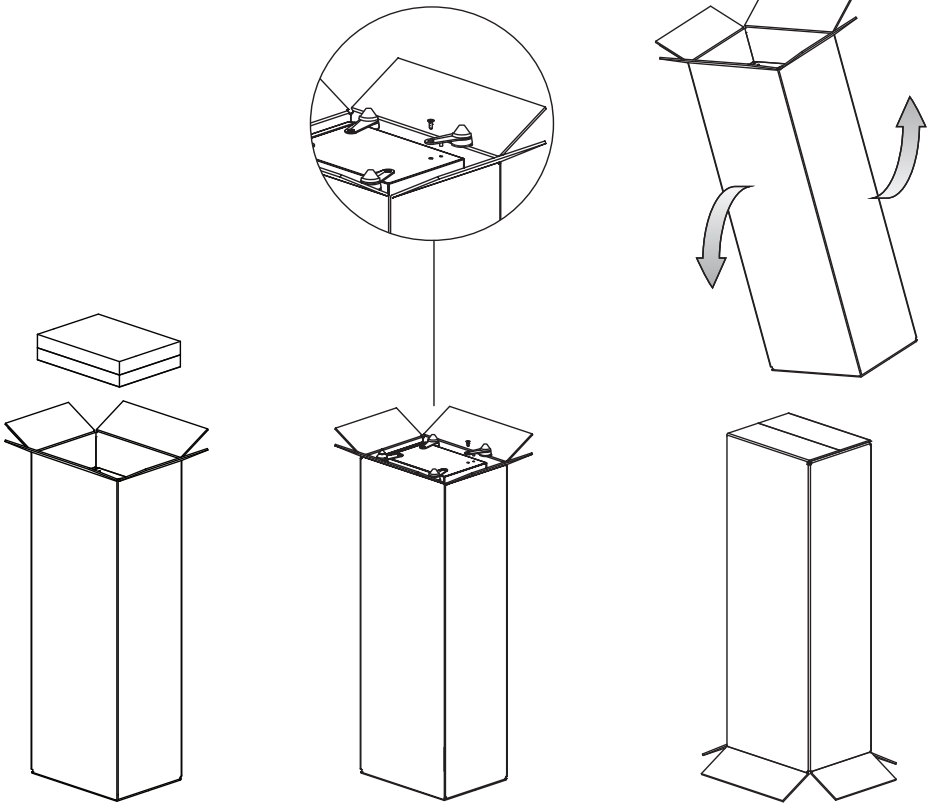


<b>Connection</b> .....	<b>6</b>
Single Wire Connection	
(F2/F1/B2/B1/C1).....	6
<b>Placement</b>	
(F2/F1/B2/B1) .....	<b>7</b>
<b>Frequently Asked Questions</b> .....	<b>8</b>
<b>Troubleshooting</b> .....	<b>9</b>
<b>Contacting Customer Service</b> .....	<b>9</b>
<b>General Information</b> .....	<b>10</b>
Warranty Information .....	10
Serial Number.....	10
Service .....	10
<b>Specifications</b> .....	<b>11</b>
<b>Dimensional Drawings</b> .....	<b>15</b>

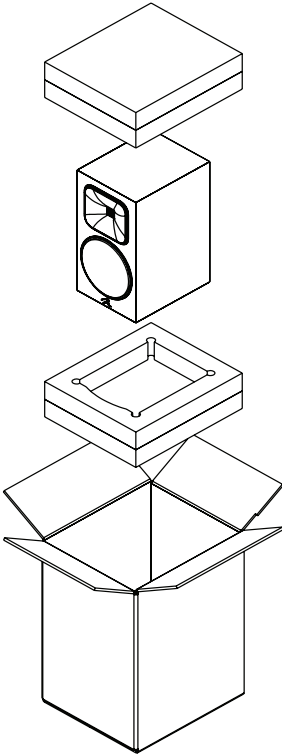
Serial Number: \_\_\_\_\_

Record your serial number here for easy reference. You will need this information when filling out your warranty registration. The serial number is located near the binding posts and on the product carton.

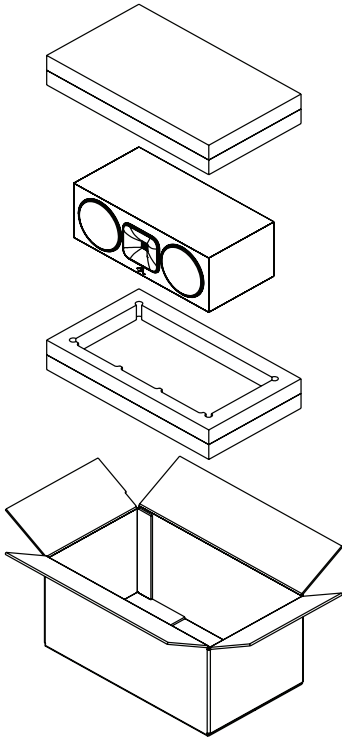
# Foundation® F2/F1



**Foundation® B2/B1**



**Foundation® C1**

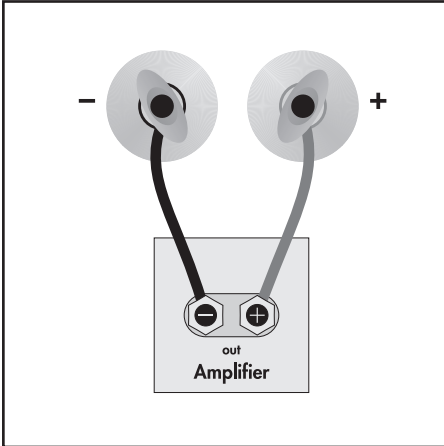


## CONNECTION

**WARNING!** Turn your amplifier off before making or breaking any signal connections!



### SINGLE WIRE CONNECTION (F2/F1/B2/B1/C1)



# PLACEMENT

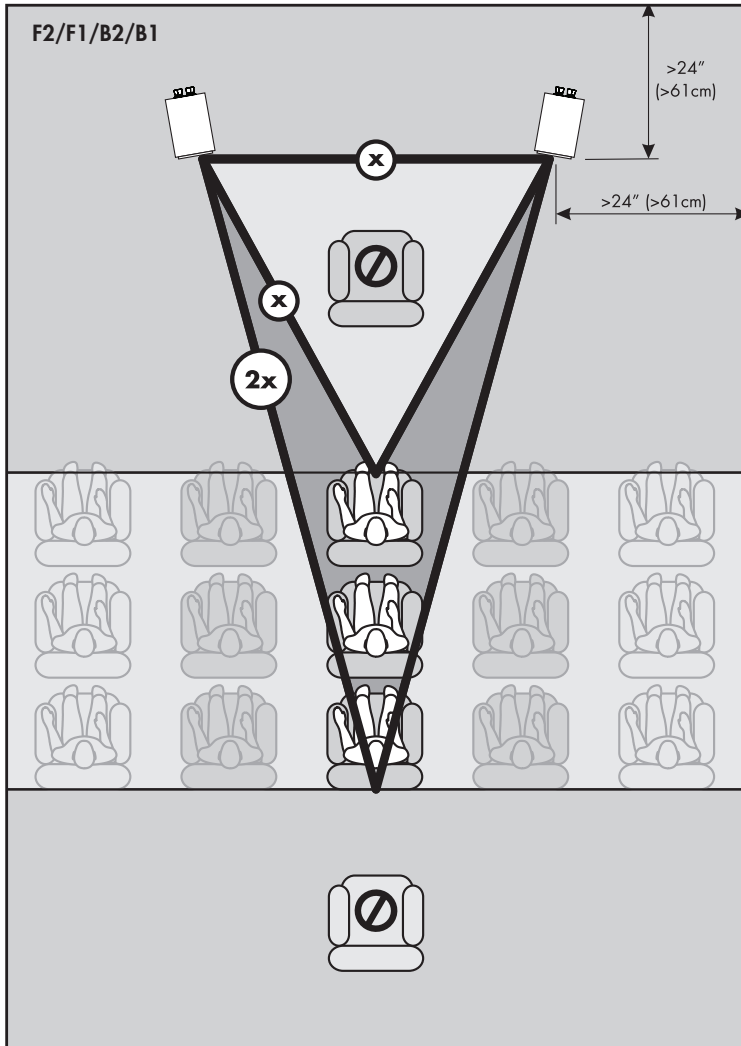
## BREAK IN



**72 hrs**

Allow approximately 72 hours of break-in at 90 dB (moderate listening levels) before any critical listening.

## PLACEMENT



## FREQUENTLY ASKED QUESTIONS

### **How do I clean my speakers?**

Use a dust free cloth (such as a micro fiber cloth) or a soft brush to remove dust from your speakers.

**Do not spray any kind of cleaning agent on or in close proximity to the drivers.**

### **Could you suggest a list of suitable electronics and cables ideal for MartinLogan speakers?**

We have no favorites and use electronics and cables quite interchangeably. We would suggest listening to a number of brands—and above all else—trust your ears. Dealers are always the best source for information when purchasing additional audio equipment.

### **Will exposure to sunlight affect the life or performance of my speakers?**

We recommend against placing any loudspeaker in direct sunlight. Ultraviolet (UV) rays from the sun can cause deterioration of cabinet, speaker cones, etc. Small exposures to UV will not cause a problem. Filtering of UV rays through glass will greatly reduce the negative effects.

### **Should I use a 4, 6, or 8 Ohm rated amplifier with my speakers?**

All of our Motion® series speakers are compatible with 4, 6 or 8 Ohm output audio amplifiers and receivers. Many of the most popular brands of AV receivers and amplifiers with 4, 6 and 8 Ohm output ratings have been thoroughly tested with all of our products and we have found no compatibility issues except under extreme listening conditions. For the best performance and sonic purity when using our Motion® series products use of an amplifier or AV receiver with either a 4 or 6 Ohm output is recommended!



## TROUBLESHOOTING

### No Output

- Check that all system components are turned on and source material is playing.
  - Check speaker wires and connections.
  - Check all interconnecting cables.
  - If you are unable to resolve your problem, please contact your dealer or MartinLogan customer service (see below).
- 

## CONTACTING CUSTOMER SERVICE

### Phone

(785) 749-0133

**Monday – Friday**

8 AM – 5 PM CT

### Email

[service@martinlogan.com](mailto:service@martinlogan.com)

### Social Media



# GENERAL INFORMATION

## WARRANTY INFORMATION

Your speakers are provided with an automatic Limited 90 Day Warranty coverage. You have the option, at no additional charge, to receive a Limited 5 Year Warranty coverage. To obtain the Limited 5 Year Warranty coverage you need to complete and return the Certificate of Registration to MartinLogan within 30 days of purchase. For your convenience MartinLogan also offers online warranty registration at [www.martinlogan.com](http://www.martinlogan.com).

MartinLogan may not honor warranty service claims unless we have a completed Warranty Registration card on file! If you did not receive a Certificate of Registration with your new speakers you cannot be assured of having received new units. If this is the case, please contact your authorized MartinLogan dealer.

## SERIAL NUMBER

The serial number is located on back of the speaker, directly beneath the binding posts. The serial number may also be found on the product carton.

## SERVICE

Should you use your MartinLogan product in a country other than the one in which it was originally purchased, we ask that you note the following:

- 1 The appointed MartinLogan distributor for any given country is responsible for warranty servicing only on units distributed by or through it in that country in accordance with its applicable warranty.
- 2 Should a MartinLogan product require servicing in a country other than the one in which it was originally purchased, the end user may seek to have repairs performed by the nearest MartinLogan distributor, subject to that distributor's local servicing policies, but all cost of repairs (parts, labor, transportation) must be borne by the owner of the MartinLogan product.
- 3 If, after owning your speaker for six months, you relocate to a country other than the one in which you purchased your speaker, your warranty may be transferable. Contact MartinLogan for details.

## **SPECIFICATIONS\***

## **Foundation® F2**

<b>Application</b> . . . . .	Floorstanding
<b>Frequency Response</b> . . . . .	36 Hz - 23kHz
<b>Folded Motion® Waveguide Enhanced Tweeter Dispersion (VxH)</b> . . . . .	90° (vertical) x 90° (horizontal)
<b>Sensitivity</b> (2.83 volts/meter) . . . . .	92 dB
<b>Impedance</b> Compatible with 4, 6, or 8 Ohm rated amplifier	4 ohms
<b>Crossover Frequency</b> . . . . .	330 Hz, 3600 Hz
<b>High Frequency Driver</b> . . . . .	1" (vertical) x 0.94" (horizontal)
<b>Mid Frequency Driver</b> . . . . .	5.5"
<b>Low Frequency Drivers</b> . . . . .	(3) 6.5"
<b>Cabinet</b> . . . . .	Rear Ported
<b>Recommended Amp Power</b> . . . . .	15 - 200 watts
<b>Binding Post Inputs</b> . . . . .	5-way Binding Posts (Non Bi-Wire)
<b>Weight</b> . . . . .	52.5lbs / 23.81kg
<b>Dimensions (HxWxD)</b> Floorstanding model dimensions include the feet. Depth for all models include the binding posts. .	44.41" x 8.75" x 16.02" 112.8cm x 22.22cm x 40.69cm
<b>Finishes</b> . . . . .	Black, Walnut, and Satin White

*\*Specifications are subject to change without notice.*

## **SPECIFICATIONS\***

## **Foundation® F1**

<b>Application.</b> . . . . .	Floorstanding
<b>Frequency Response</b> . . . . .	41 Hz - 23 kHz
<b>Folded Motion® Waveguide Enhanced</b>	
<b>Tweeter Dispersion (VxH)</b> . . . . .	90° (vertical) x 90° (horizontal)
<b>Sensitivity</b> (2.83 volts/meter) . . . . .	92 dB
<b>Impedance</b>	
Compatible with 4, 6, or 8 Ohm rated amplifier	4 ohms
<b>Crossover Frequency.</b> . . . . .	240 Hz, 3700 Hz
<b>High Frequency Driver</b> . . . . .	1" (vertical) x 0.94" (horizontal)
<b>Mid Frequency Driver</b> . . . . .	5.5"
<b>Mid-bass Driver</b> . . . . .	-
<b>Low Frequency Drivers</b> . . . . .	(3) 5.5"
<b>Cabinet</b> . . . . .	Rear Ported
<b>Recommended Amp Power</b> . . . . .	15 - 200 watts
<b>Binding Post Inputs</b> . . . . .	5-way Binding Posts (Non Bi-Wire)
<b>Weight.</b> . . . . .	46.5lbs / 21.09kg
<b>Dimensions (HxWxD)</b>	
Floorstanding model dimensions include the feet.	41.42" x 8.27" x 14.43"
Depth for all models include the binding posts. .	105.2cm x 21cm x 36.65cm
<b>Finishes</b> . . . . .	Black, Walnut, and Satin White

*\*Specifications are subject to change without notice.*

**Foundation® B2**

Bookshelf

42 Hz - 23 kHz

90° (vertical) x 90° (horizontal)

90 dB

5 ohms

3800 Hz

1" (vertical) x 0.94" (horizontal)

-

6.5"

-

Rear Ported

15 - 100 watts

5-way Binding Posts (Non Bi-Wire)

15lbs / 6.8kg

15.01" x 7.75" x 11.49"

38.12cm x 19.68cm x 29.18cm

Black, Walnut, and Satin White

**Foundation® B1**

Bookshelf

48 Hz - 23k Hz

90° (vertical) x 90° (horizontal)

89 dB

5 ohms

3400 Hz

1" (vertical) x 0.94" (horizontal)

-

5.5"

-

Rear Ported

15 - 100 watts

5-way Binding Posts (Non Bi-Wire)

11.5lbs / 5.2kg

13.64" x 7.25" x 9.47"

34.64cm x 18.41cm x 24.05cm

Black, Walnut, and Satin White

## SPECIFICATIONS\*

## Foundation® C1

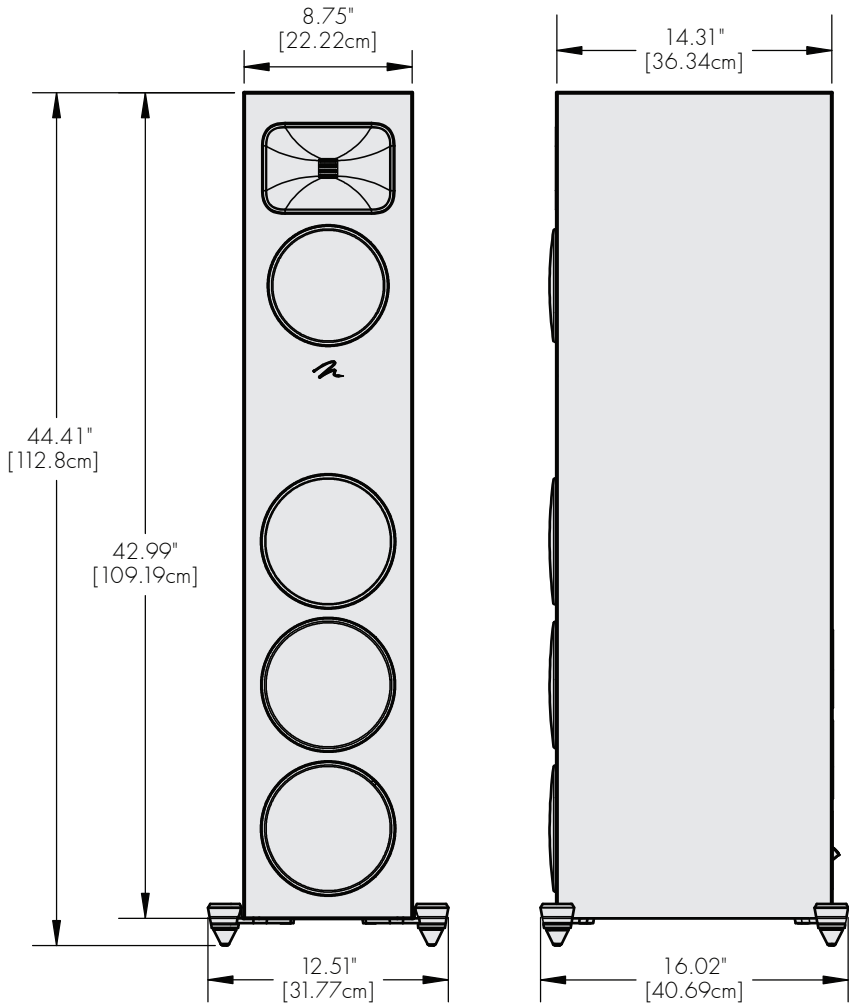
<b>Application.</b> . . . . .	Center Channel
<b>Frequency Response</b> . . . . .	53 Hz - 23 kHz
<b>Folded Motion® Waveguide Enhanced</b>	
<b>Tweeter Dispersion (VxH)</b> . . . . .	90° (vertical) x 90° (horizontal)
<b>Sensitivity</b> (2.83 volts/meter) . . . . .	91 dB
<b>Impedance</b>	
Compatible with 4, 6, or 8 Ohm rated amplifier	4 ohms
<b>Crossover Frequency.</b> . . . . .	2900 Hz, 3200 Hz
<b>High Frequency Driver</b> . . . . .	1" (vertical) x 0.94" (horizontal)
<b>Mid Frequency Driver</b> . . . . .	(2) 5.5"
<b>Cabinet</b> . . . . .	Rear Ported
<b>Recommended Amp Power</b> . . . . .	15 - 150 watts
<b>Binding Post Inputs</b> . . . . .	5-way Binding Posts (Non Bi-Wire)
<b>Weight.</b> . . . . .	18lbs / 8.16kg
<b>Dimensions (HxWxD)</b>	
Floorstanding model dimensions include the feet.	7.57" x 20" x 10.02"
Depth for all models include the binding posts. .	19.22cm x 50.8cm x 25.45cm
<b>Finishes</b> . . . . .	Black, Walnut, and Satin White

\*Specifications are subject to change without notice.

# F2

## FOUNDATION<sup>®</sup>

by *MARTIN LOGAN*<sup>®</sup>



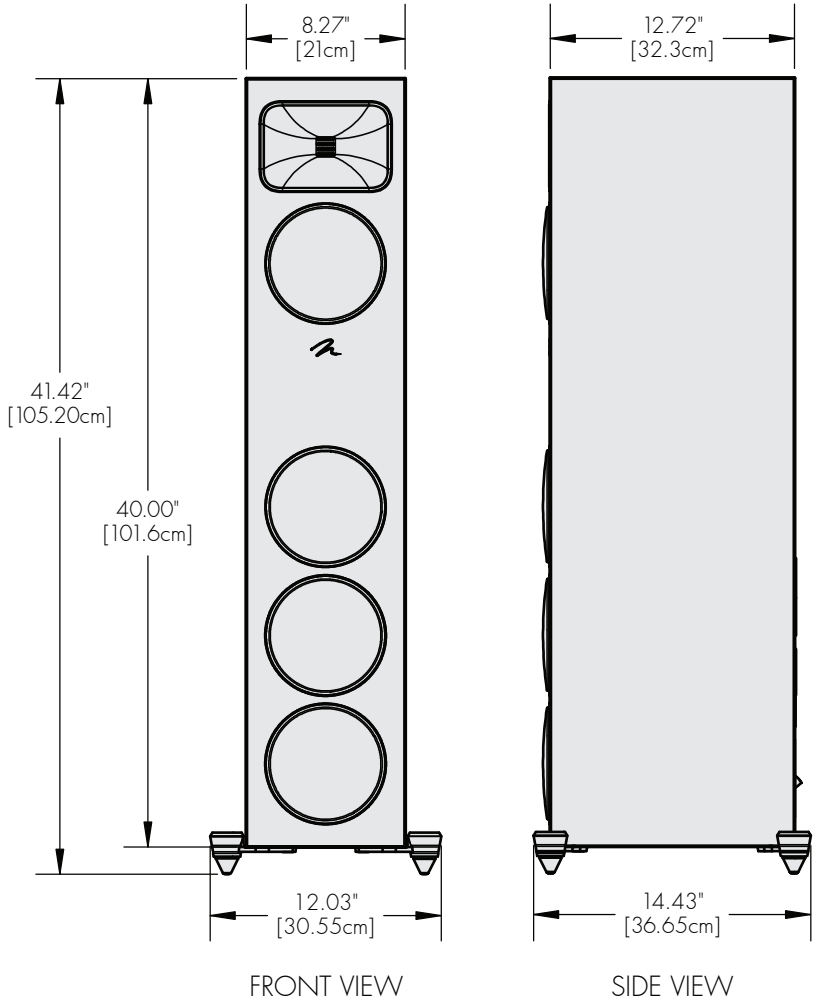
FRONT VIEW

SIDE VIEW

# F!

## FOUNDATION®

by *MARTIN LOGAN*®



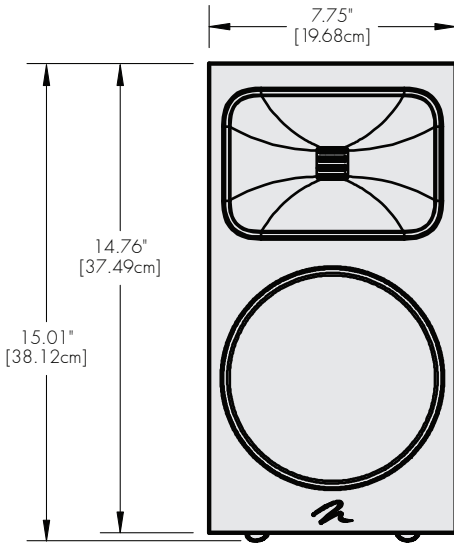


# B2

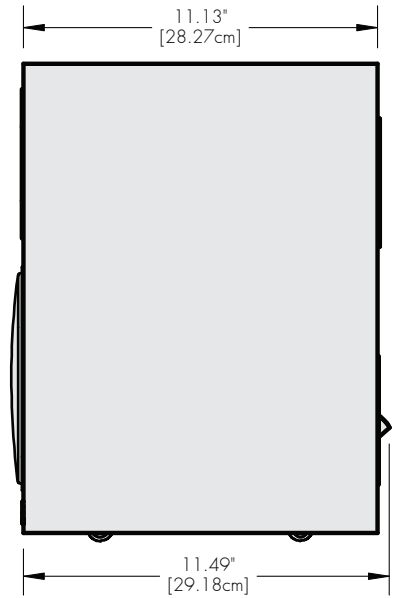
---

## FOUNDATION<sup>®</sup>

by *MARTIN LOGAN*<sup>®</sup>



FRONT VIEW



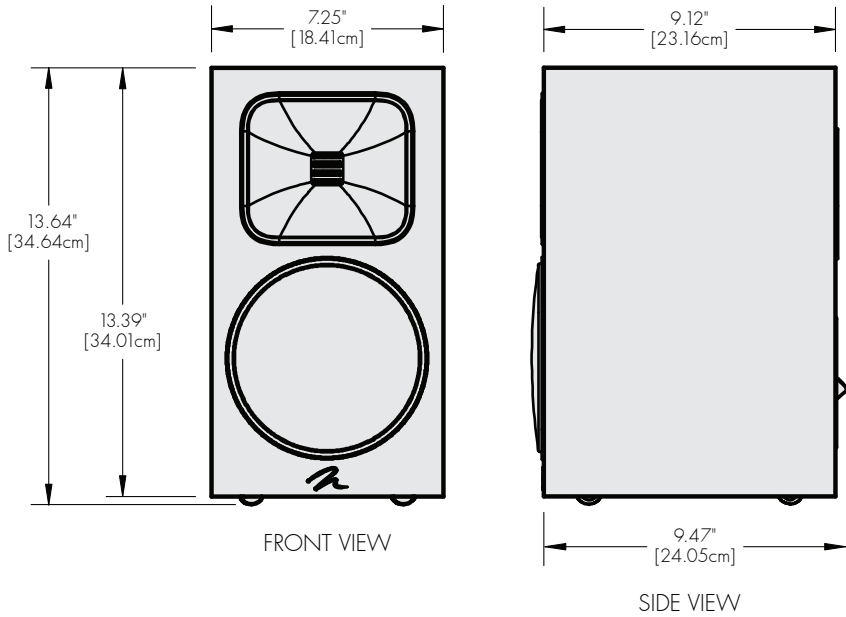
SIDE VIEW

# B1

---

## FOUNDATION<sup>®</sup>

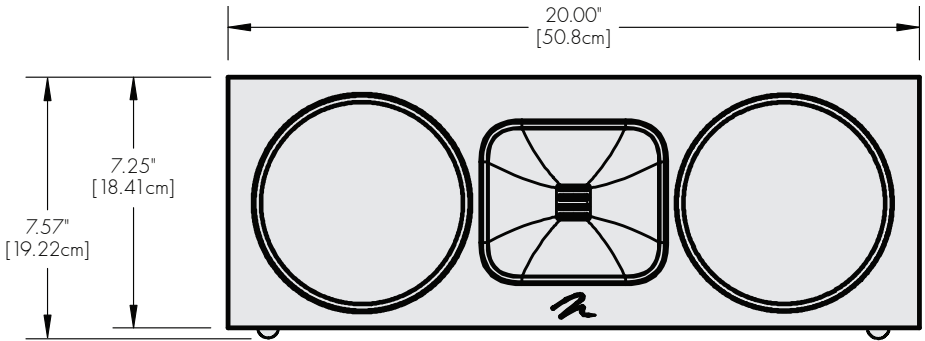
by *MARTIN LOGAN*<sup>®</sup>



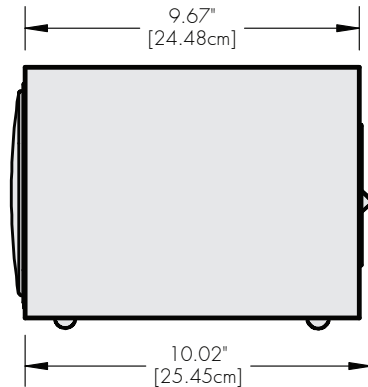
# C1

## FOUNDATION<sup>®</sup>

by *MARTIN LOGAN*<sup>®</sup>



FRONT VIEW



SIDE VIEW



**MARTIN LOGAN®**

Lawrence, Kansas, USA tel. 785.749.0133 fax 785.749.5320 [www.martinlogan.com](http://www.martinlogan.com)

©2025 MartinLogan Ltd. All rights reserved.

Rev. #001