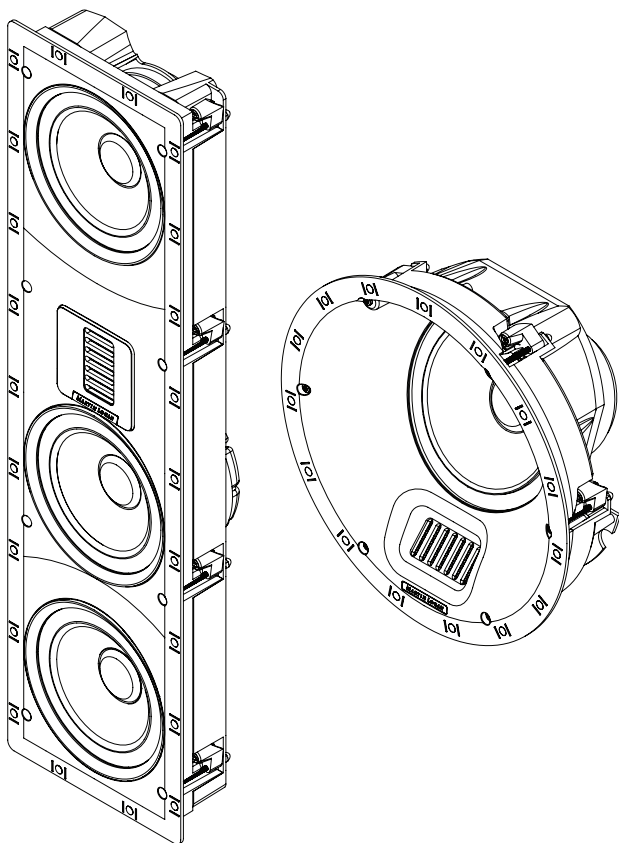


XTW6 | XTC8 | XTC8-HT XTW5-LCR | XTW6-LCR

user's manual



Motion[®] XT
MARTIN LOGAN

Register your warranty online at www.MartinLogan.com.

1 See your local MartinLogan dealer for new construction pre-install brackets (sold separately).

Content Check List	2	In-Ceiling Mounting (pictorial)	10
Safety Warnings and WEEE Recycling	2	In-Wall Mounting (pictorial)	11
Square Grilles, Pre-Installation Brackets, & Backboxes	3	Installation	12
Protect Your Investment	6	Painting the Speaker Grille	13
Break-In	6	FAQ & Troubleshooting	14
General Speaker Placement	6	Warranty and Service	15
Placement Options (All Models)	7	Specifications	16
Placement Options (Aimable XTC8-HT Speaker)	8		
Connection	9		

Content Check List

You will find the following items enclosed for your new MartinLogan loudspeaker. Should you require assistance please call our service department at (785) 749-0133.

- Install Template
- Grille Cover

Safety Warnings and WEEE Recycling



The lightning bolt flash with arrowhead symbol within an equilateral triangle is intended to alert the user to the presence of uninsulated “dangerous voltage” within the product’s enclosure that may be of sufficient magnitude to constitute a risk of electric shock.



The exclamation point within an equilateral triangle is intended to alert the user to the presence of important operating and maintenance (servicing) instructions in the literature accompanying the appliance.



The fire within an equilateral triangle is intended to alert the user to the potential of creating a fire hazard if they do not follow the instructions.



The dollar sign within an equilateral triangle is intended to alert the user that they run the risk of causing damage that could be potentially expensive to repair if they don't follow the instructions.

WARNING!



- Refer servicing to a qualified technician.
- To prevent fire or shock hazard, do not expose this module to moisture.
- Turn amplifier off should any abnormal conditions occur.
- Do not drive speaker beyond its rated power.



In accordance with the European Union WEEE (Waste Electrical and Electronic Equipment) directive effective August 13, 2005, we would like to notify you that this product may contain regulated materials which upon disposal, according to the WEEE directive, require special reuse and recycling processing.

For this reason MartinLogan has arranged with our distributors in European Union member nations to collect and recycle this product at no cost to you. To find your local distributor please contact the dealer from whom you purchased this product, email info@martinlogan.com or visit the distributor locator at www.martinlogan.com.

Please note, only this product itself falls under the WEEE directive. When disposing of packaging and other related shipping materials we encourage you to recycle these items through the normal channels.

Square Grilles, Pre-Installation Brackets, & Backboxes

Square grilles, pre-installation brackets, and retrofit backboxes are available for certain MartinLogan Motion XT Series architectural speakers. Contact your dealer for availability.

Protect Your Investment

- Use an amp that approximately matches the speaker's specified power handling.
 - To avoid damage, turn down the volume if the speaker sounds like it is distorting, sounds harsh, or the bass begins to break up.
 - Tone controls and equalizers may increase the likelihood of distortion, especially at high volumes. Use these settings sparingly.
-

Break-In

When you first begin to play your speakers, they will sound a bit bass shy. This is due to the high quality, long-life components used in the drivers. Allow approximately 72 hours of break-in at 90dB (moderate listening levels) before any critical listening.

General Speaker Placement

Choosing a Mounting Location

Install the speakers between wall studs or ceiling joists being careful to avoid electrical wires behind the wall's surface. Please note, XTC8, and XTC8-HT should only be used in-ceiling.

Wall Rigidity Results in Better Sound

Increasing the rigidity of your walls may improve sonic performance. To do this consider adding cross bracing inside of the wall approximately 12-inch (30cm) above and below the speaker.

Achieving Superior Imaging

These MartinLogan in-wall and in-ceiling speakers offer superb imaging and flexible placement in nearly any location. However, for best performance and imaging place speakers equidistant from the primary listening position and avoid physical obstructions between the speaker and primary listening position.

Balancing Hard vs. Soft Surfaces Improves High- and Mid-Frequency Performance

Rooms that are "over damped" with carpeting, drapes, and other sound absorbers can cause your system to sound dull and lifeless. On the other hand, rooms can have so many hard surfaces that the system sounds like a gymnasium. Experiment by adding or removing soft surfaces until you find a mix that sounds good to you.

Balancing Bass Output

Corner placement of these speakers will reinforce their bass output. If you require balanced output across the entire audio spectrum avoid mounting these speakers in a corner.

When choosing placement follow these simple recommendations. Keep in mind these are just recommendations and your unique installation requirements may dictate otherwise:

- Place a minimum of 12-inches (30cm) from any wall corner.
- Place fronts/centers equidistant between 10–14 feet (3–4.3m) from the listening position.
- XTC8, and XTC8-HT. Install in-ceiling only.

Placement Options (All Models)

The Motion XT series architectural speakers feature MartinLogan’s highest performance Folded Motion Tweeter, the FMT XT. In addition to the increased performance capabilities over our standard size FMT, this unique thin film tweeter features an even further controlled dispersion pattern of 80° by 30°. This controlled “cone of sound” even further reduces undesirable acoustic interactions and can be extremely useful in avoiding sound reflections in the room which would otherwise result in diminished sound quality. For optimal performance, attention should be paid to the mounting location of the speaker to help ensure that the primary listening area is within the dispersion pattern of the tweeter. Keep in mind, the farther away the listener is from the speaker, the wider the coverage area of the tweeter becomes. Because of the unique dispersion of the FMT XT tweeter, the dispersion or coverage area of Motion XT CI in-wall speakers can be adjusted by positioning the tweeter either horizontally or vertically. By default the in-wall models ship ready to be installed with the tweeter in the vertical orientation, providing an 80° Horizontal x 30° Vertical dispersion pattern. Depending on your unique room layout, seating position, and installation requirements, the tweeter can be used in either horizontal or vertical orientation to provide the best coverage for your particular needs. For example, when installing an in-wall speaker higher up on the wall (well above the seating area height) it may be more beneficial to orient the tweeter in the “horizontal” position so the dispersion pattern then becomes 30° Horizontal by 80° Vertical to ensure the primary listening area is within the coverage of the tweeter. In other words, the FMT XT provides an 80° x 30° dispersion and you can decide which orientation is more appropriate for your system to provide the best coverage and performance. The more controlled 30° dispersion side can be used to help eliminate unwanted sound reflections or help reduce unwanted “sound leakage” into other areas of the home, especially in open floor plans. Controlled Dispersion is a tool to help deliver better sound quality where it actually matters, your ears! So feel free to experiment with both options to help decide which is the right choice for your installation.

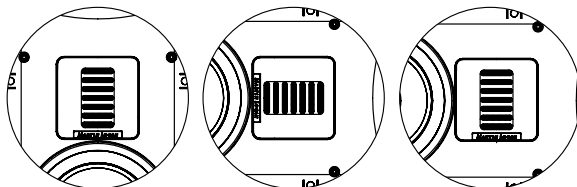
Stereo and Home Theater Applications (no illustration)

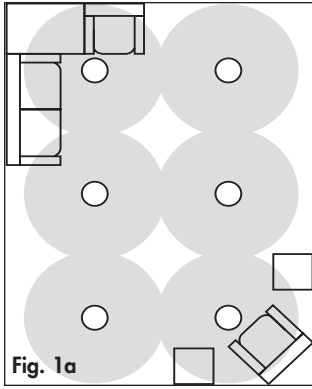
MartinLogan Motion XT series in-wall and in-ceiling speakers are ideal for 2-channel stereo and multi-channel home theater installations. The guidelines from the previous section apply to both in-wall and in-ceiling speakers.

TWEETER ROTATES 90°

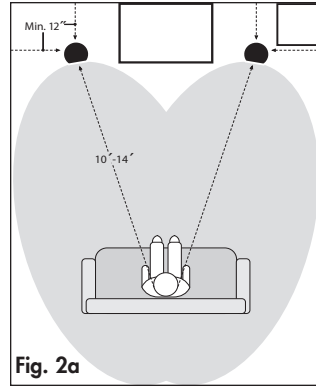
VERTICAL INSTALLATION

HORIZONTAL INSTALLATION

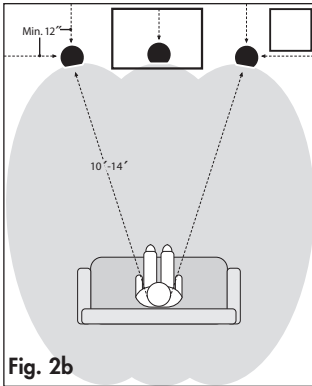




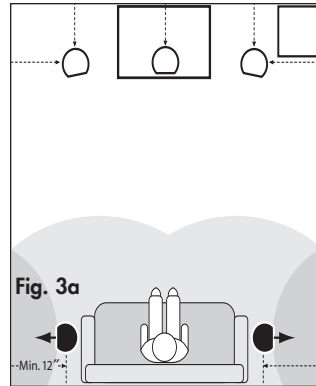
Multiple speakers, distributed audio.



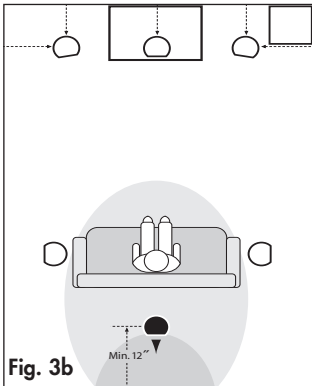
Front left and right speakers.



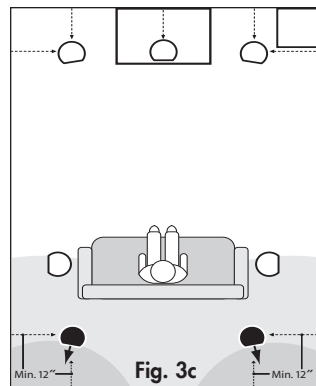
Front left, center, and right speakers.



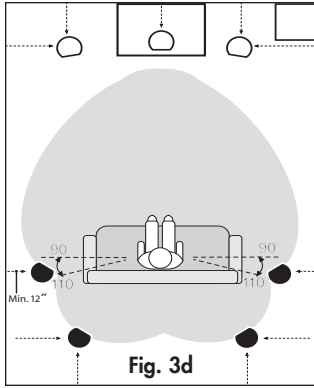
XTC8-HT: Non-direct surround channels in a 5.1-channel system.



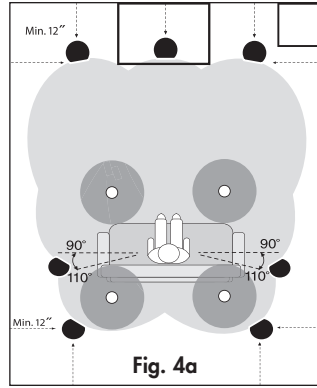
XTC8-HT: Non-direct rear channel in a 6.1-channel system.



XTC8-HT: Non-direct rear channels in a 7.1-channel system.



XTC8-HT: Direct radiating surround and rear channels in a 7.1-channel system.



XTC8-HT: Direct radiating front, left center, surrounds and rear channels in a 7.1.4-channel system with Atmos height speakers.

Multiple Speakers, Distributed Audio (Fig. 1a)

In larger areas (offices, etc.) multiple speakers may be used to eliminate the sound imbalances that occur with separate stereo speakers as people move around the room, or are seated closer to one speaker than the other. Position speakers to achieve the broadest sound coverage in the main listening area. The angled XTC8-HT can be useful to help aim and focus sound towards an area you are trying to cover.

Placement Options (Aimable XTC8-HT Speaker)

XTC8-HT speakers are optimized for use in rooms with ceiling heights ranging from 8–9 feet (2.4–

2.74m). Point the tweeter toward the primary listening position. For overall clarity and balanced bass performance, these speakers should be mounted in the ceiling 12 inches (30 cm) or more from the wall, as shown in Figs. 3a to 3f.

Front Channel Placement (Fig. 3a & 3b)

Follow the general guidelines for speaker placement provided at the beginning of the main section

keeping in mind the distance from the front speakers to your primary listening area should be 10–14 feet (3–4.3m), as shown. Point the drivers toward the primary listening position.

Non-Direct Radiating Surround/Rear Placement

These speakers are also ideal for use as surround or surround back channels. Aiming the speaker so sound bounces off the walls creates an enveloping, reverberant sound field. Keep in mind that speakers should be mounted 12 inches (30 cm) or more from the wall.

- *5.1-Channel Surround Placement (Fig. 3c):* Position one speaker on either side of the listening area, with drivers pointed toward the side walls.
- *6.1-Channel Rear Placement (Fig. 3d):* Begin with '5.1-Channel Surround Placement' (above). Center one speaker behind the listening area with drivers pointed toward the back wall.
- *7.1-Channel Rear Placement (Fig. 3e):* Begin with '5.1-Channel Surround Placement' (above). Position another pair of XTC8-HT speakers behind the listening area, one slightly to the right, the other slightly to the left, with drivers pointed to the back of the room as shown.

Direct Radiating Surround/Rear Center Placement (Fig. 3f)

The XTC8-HT may be used as direct-radiating speakers, positioned with drivers pointed toward the

listening area. Use Fig. 3f as a guide to positioning as you experiment to achieve optimal surround sound in your room.

Motion XT LCR Model Placement (Fig. 3d)

The XTW5-LCR and XTW6-LCR are true Left, Center, Right (“LCR”) models that can be used for any in-wall position in a stereo or home theater setup. Both models are designed to mount either vertically or horizontally as desired or otherwise dictated by your unique installation. The dedicated midrange driver of the XTW6-LCR does give the speaker an asymmetrical driver layout when mounted horizontally. This design does not negatively impact the performance of the speaker when used in this layout, and it should be aligned according to its outer dimensions and not the tweeter location. When mounting the XTW6-LCR horizontally, it may be necessary to modify or frame out the stud bay to accommodate the extra width of the speaker. Please consult a licensed contractor for proper guidance or assistance when installation requires such modifications..

Connection

Connect the red (+) amplifier terminal to the red (+) speaker terminal. Connect the black (-) amplifier terminal to the black (-) speaker terminal.

Installation

NOTE: These instructions assume the mounting surface is of standard wood frame and standard sheet rock construction. If you wish to mount the speakers to another type of material, you should contact a bonded contractor.

NOTE: See your local dealer for new construction pre-install brackets, square grilles (in-ceiling models only) and back boxes (in-ceiling models only) (accessories sold separately).

NOTE: While it is possible to use a manual screwdriver for installation, we strongly suggest using a power drill. To avoid damaging or breaking the clamps, set your drill to a HIGH SPEED but LOW TORQUE setting. A high power setting is NOT necessary and may cause clamps to crack or break from the added force.

Such damage is not covered under warranty.



WARNING! Before installing check local building codes to verify compliance with local regulations. **WARNING!** Before installing check for obstructions behind drywall. To do this make a small hole, cutting at a 45° angle (this will make the hole easier to patch if obstructions are found). Only cut out the mounting hole after you have verified there are no obstructions behind the dry wall. **WARNING!** Use only speaker cable that is rated for in-wall use. The UL standard is CL2, CL3, and CM. The CSA standard is FT4. **WARNING!** Turn your amplifier off before making or breaking any signal connections.



Recommended tools:

- Stud finder
- Dry wall knife/saw
- Power drill
- Low-tack tape
- Sharp pencil or pen
- Wire strippers
- Tape measure

Speaker Installation and Connection (pictorial)

NOTE: If the clamps are not set to the right position, use a screwdriver to turn the screws counter-clockwise until the clamps are in the correct position.

In-Ceiling Mounting

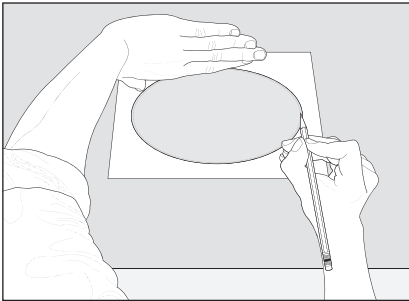
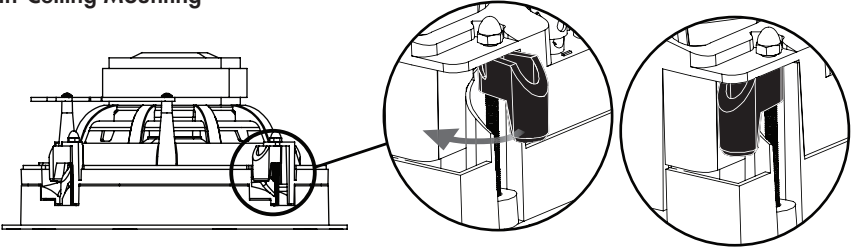


Fig. 5a

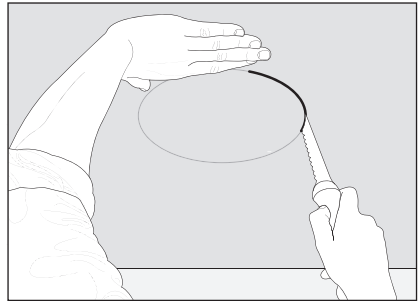


Fig. 5b

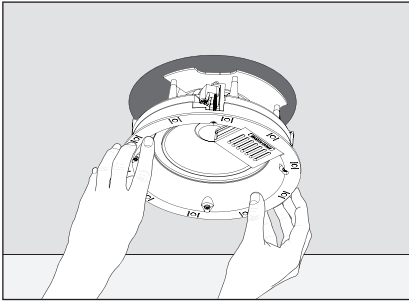


Fig. 5c

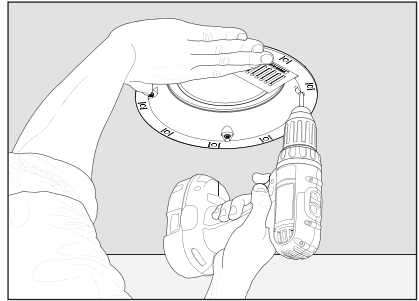


Fig. 5d

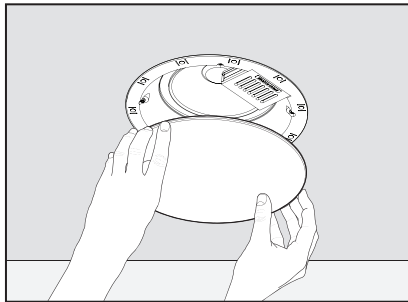


Fig. 5e

In-Wall Mounting

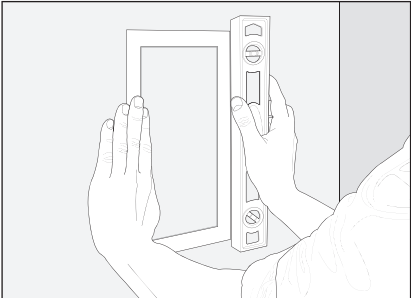
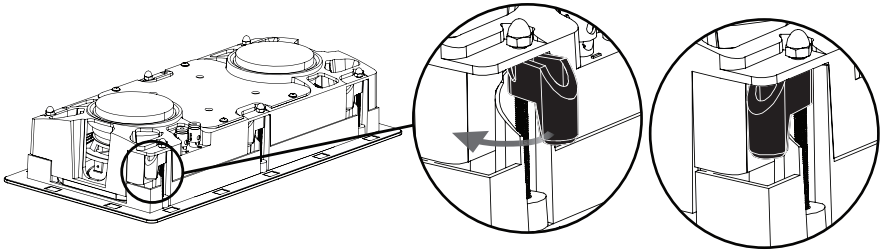


Fig. 6a

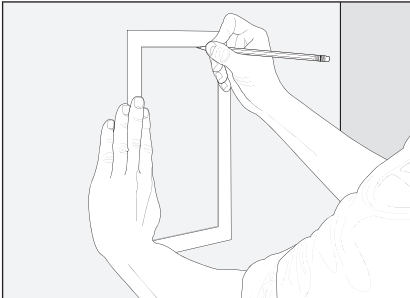


Fig. 6b

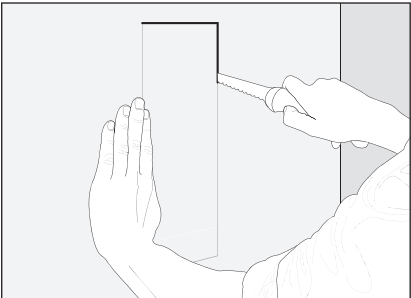


Fig. 6c

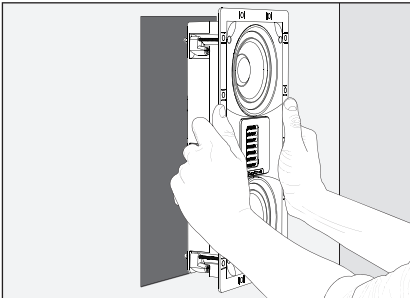


Fig. 6d

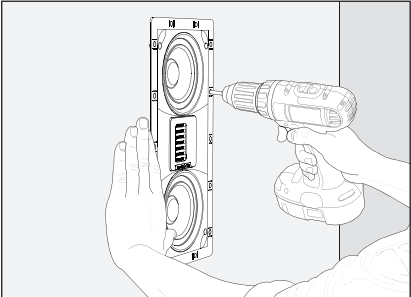


Fig. 6e

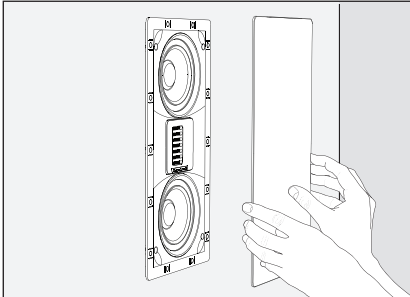


Fig. 6f

NOTE: Retrofit Back Boxes are available for all in-ceiling Motion series speakers. These back boxes reduce sound from “leaking” into the area above where the speaker is installed. For example, if building a home theater downstairs and there are living spaces directly above where the speakers are installed it may be desirable to use these back boxes to help contain the sound so it does not cause any disturbance to those above the speakers.

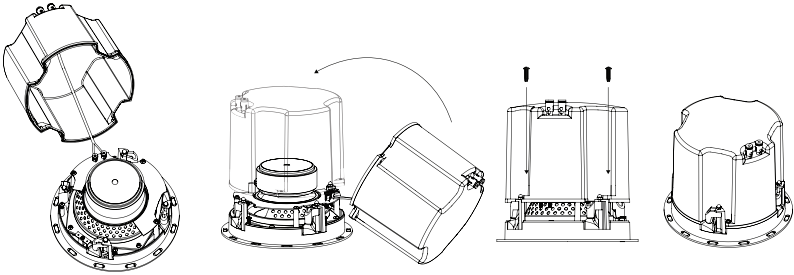
1. If the template has a removable center, remove it at this time.
2. Using a stud finder, position the template completely between wall studs or ceiling joists.
XTC8, and **XTC8-HT**: Install in-ceiling only.
3. Hold or tape the template in place and mark cutout with a pencil. For rectangular speakers, level the template before marking (Figs. 5a, 6a.1, & 6a.2).
4. Remove the template and cut out the opening with a drywall knife (Figs. 5b & 6b).
5. **In-wall:** If desired, place fiberglass insulation above and below the cut-out hole. Place a half thick piece of fiberglass insulation behind the speaker. **In-ceiling:** If desired, place fiberglass insulation 1/2" (30cm) or thicker between the joists directly above the speaker.
6. Connect speaker cables. Be consistent when connecting the speaker leads to the terminals. Take great care to assign the same color to the (+) terminal on both the speaker and the amplifier.
7. Set your power drill to the high speed but low torque setting.
8. Ensure the clamps on the lip of the speaker are positioned exactly as shown in the Warning Diagrams.
9. Gently push the assembly into the ceiling or wall hole (Figs. 5c & 6c).
10. Supporting the assembly with one hand, tighten each screw using the electric drill and Torx T20 bit. Stop tightening when you sense resistance (Figs. 5d & 6d). MC6-HT: Before tightening screws orient speaker so the drivers are positioned towards the desired position.
11. Gently press the grille into place (Figs. 5e & 6e).

Painting the Speaker Grille

IMPORTANT! Before painting remove grille from speakers. Do not paint the surface of the speaker behind the grille. Do not use a paint roller.

1. Remove the grille from the speaker.
2. Paint the grille, being careful not to plug the holes. For best results use a spray rather than a brush. Allow the paint to completely dry before proceeding. Do not paint the surface behind the grille.

NOTE: Retrofit Back Boxes are available for all in-ceiling Motion series speakers. These back boxes reduce sound from “leaking” into the area above where the speaker is installed. For example, if building a home theater downstairs and there are living spaces directly above where the speakers are installed it may be desirable to use these back boxes to help contain the sound so it does not cause any disturbance to those above the speakers.



Frequently Asked Questions

How do I clean my speakers? Use a dust free cloth or a soft brush to remove the dust from your speakers. Do not spray any kind of cleaning agent on or in close proximity to the drivers.

What size amplifier should I use? We recommend an amplifier rated within the suitable amplifier range of your speaker.

Could you suggest a list of suitable electronics and cables that would be ideal for MartinLogan speakers? The area of electronics and cable choice is probably the most common type of question that we receive. It is also the most subjective. We have repeatedly found that brands that work well in one setup will drive someone else nuts in another. We use many brands with great success. Again, we have no favorites; we use electronics and cables quite interchangeably. We would suggest listening to a number of brands—and above all else—trust your ears. Dealers are always the best source for information when purchasing additional audio equipment or cables and will be well versed in the subject of special safety requirements for in-wall cable.

Will exposure to sunlight affect the life or performance of my speakers? We recommend that you not place any loudspeaker in direct sunlight. The ultraviolet (UV) rays from the sun can cause deterioration of grille cloth, speaker cones, etc. Small exposures to UV will not cause a problem. In general, the filtering of UV rays through glass will greatly reduce the negative effects.

Troubleshooting

No Output

- Check that all your system components are turned on, not muted, and that your balance control (if applicable) is set correctly.
- Check to make sure your power outlet at the wall is working.
- Check your power cords, speaker wires, and interconnecting cables.
- Check to make sure no headphones are plugged in.
- Swap speaker wires at your amplifier with those of a speaker that is functioning correctly. If the lack of output moves to a different speaker the problem could be with other equipment in your system (i.e. amp, pre-amp, processor, etc.)
- Try hooking up a different set of speakers. The lack of output could point to a problem with other equipment in your system (i.e. amp, pre-amp, processor, etc.)

Lack of Bass or Poor Imaging

- Check your speaker wires. Is the polarity correct — (+) to (+) and (-) to (-)?
- The use of optional back boxes will reduce the bass output of the speaker as these enclosures reduce the air space the woofer is able to utilize. This is the tradeoff of reducing unwanted sound that is able to travel to other areas of the home.

Warranty

MartinLogan offers online warranty registration at www.martinlogan.com.

Your speaker is provided with an automatic Limited 90 Day Warranty coverage.

You have the option, at no additional charge, to receive a Limited 5 Year Warranty coverage. To obtain the Limited 5 Year Warranty coverage register your speakers at www.martinlogan.com. Save a copy of your dealer receipt as it may be requested if service is required.

MartinLogan may not honor warranty service claims unless we have a completed Warranty Registration on file at www.MartinLogan.com!

Service

Should you be using your MartinLogan product in a country other than the one in which it was originally purchased, we ask that you note the following:

- 1 The appointed MartinLogan distributor for any given country is responsible for warranty servicing only on units distributed by or through it in that country in accordance with its applicable warranty.
- 2 Should a MartinLogan product require servicing in a country other than the one in which it was originally purchased, the end user may seek to have repairs performed by the nearest MartinLogan distributor, subject to that distributor's local servicing policies, but all cost of repairs (parts, labor, transportation) must be borne by the owner of the MartinLogan product.
- 3 If, after owning your speakers for six months, you relocate to a country other than the one in which you purchased your speakers, your warranty may be transferable. Contact MartinLogan for details.

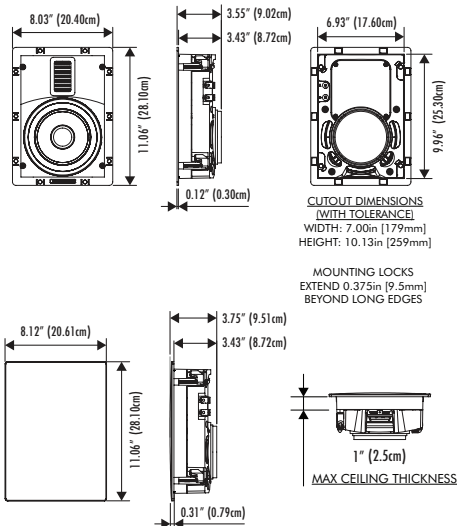
NOTES

Specifications*

XTCW6

System Frequency Response	56 - 25,000 Hz \pm 3dB
Aiming	N/A
Sensitivity	91dB @2.83V/ 1 meter
Impedance	Compatible with 8 ohms
Crossover Frequency	2,460 Hz
High-Frequency Driver	FMT Transducer 1.27" x 2.4" (3.22cm x 6.09cm) Opening 4.5" x 2.75" (11.43cm x 6.98cm) Diaphragm
Low-Frequency Driver	6.5" (16.51cm) black Kevlar with Nomex backer cone
Binding Post Inputs	Push style accommodates wire up to 12AWG
Suitable Amplifier Range	50-200 Watts
Maximum Power Handling	100 Watts
Weight	1.2 lbs. each (0.5 kg)
Overall Size (h x w x d)	11.06" x 8.03" x 3.55" (28.1 x 20.4 x 9.02cm)
Required opening	7" x 10.13" (17.9 x 25.9cm)
Projection from wall surface	0.31" (0.79cm)
Depth required behind wall surface	3.43" (8.72cm)

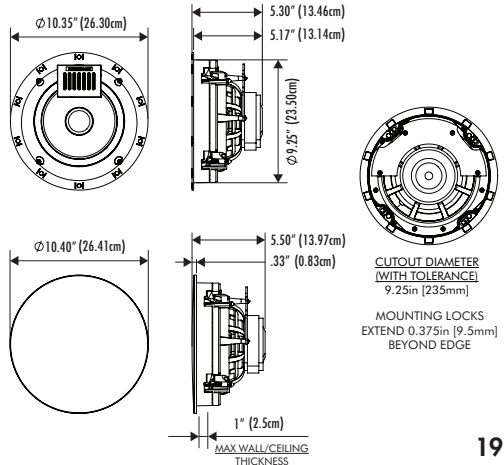
*Specifications are subject to change without notice.



XTC8

System Frequency Response	51 - 25,000 Hz \pm 3dB
Aiming	N/A
Sensitivity	91dB @2.83V/ 1 meter
Impedance	Compatible with 8 ohms
Crossover Frequency	2,270 Hz
High-Frequency Driver	FMT Transducer 1.27" x 2.4" (3.22cm x 6.09cm) Opening 4.5" x 2.75" (11.43cm x 6.98cm) Diaphragm
Low-Frequency Driver	8" (20.32cm) black Kevlar with Nomex backer cone
Binding Post Inputs	Push style accommodates wire up to 12AWG
Suitable Amplifier Range	15–300 Watts
Maximum Power Handling	150 Watts
Weight	1.2 lbs. each (0.5 kg)
Overall Size (dia. x depth)	10.35" x 5.30" (26.30 x 13.46cm)
Required opening	9.25" (9.5cm) diameter
Projection from wall surface	0.33" (23.5cm)
Depth required behind wall surface	5.50" (13.97cm)

**Specifications are subject to change without notice.*

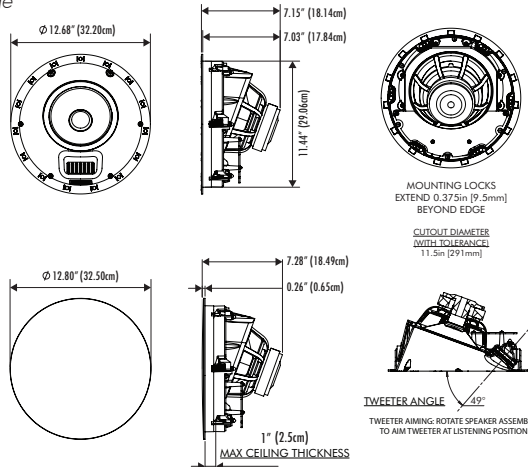


Specifications*

XTC8-HT

System Frequency Response	51 - 25,000 Hz \pm 3dB
Aiming	Rotate speaker
Sensitivity	91dB @2.83V/ 1 meter
Impedance	Compatible with 8 ohms
Crossover Frequency	2,000 Hz
High-Frequency Driver	FMT Transducer 1.27" x 2.4" (3.22cm x 6.09cm) Opening 4.5" x 2.75" (11.43cm x 6.98cm) Diaphragm
Low-Frequency Driver	8" (20.32cm) black Kevlar with Nomex backer cone
Binding Post Inputs	Push style accommodates wire up to 12AWG
Suitable Amplifier Range	50-300 Watts
Maximum Power Handling	150 Watts
Weight	5.3 lbs. each (2.4 kg)
Overall Size (dia. x depth)	12.68" x 7.15" (32.2 x 18.14cm)
Required opening	11.5" (29.1cm) diameter
Projection from wall surface	0.26" (0.65cm)
Depth required behind wall surface	7.03" (17.84cm)

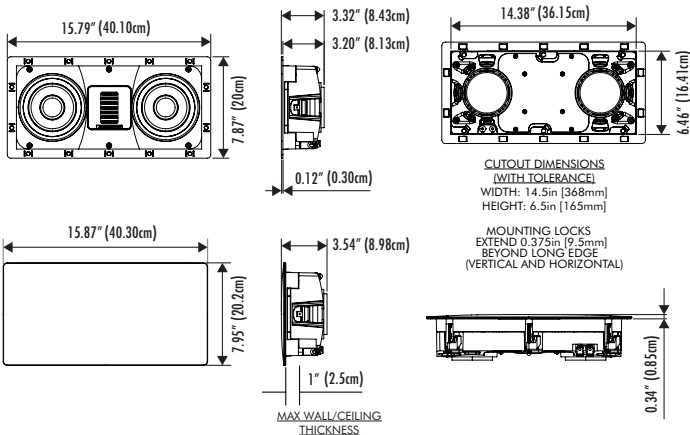
*Specifications are subject to change without notice.



XTW5-LCR

System Frequency Response	61 - 25,000 Hz \pm 3dB
Aiming	N/A
Sensitivity	92dB @2.83V/ 1 meter
Impedance	Compatible with 8 ohms
Crossover Frequency	2,180 Hz
High-Frequency Driver	FMT Transducer 1.27" x 2.4" (3.22cm x 6.09cm) Opening 4.5" x 2.75" (11.43cm x 6.98cm) Diaphragm
Low-Frequency Driver	5.25" (13.33cm) black Kevlar with Nomex backer cone
Binding Post Inputs	Push style accommodates wire up to 12AWG
Suitable Amplifier Range	50-250 Watts
Maximum Power Handling	125 Watts
Weight	4.4 lbs. each (2 kg)
Overall Size (h x w x d)	7.87" x 15.79" x 3.32" (20 x 40.1 x 8.43cm)
Required opening	14.5" x 6.5" (36.8 x 16.5cm)
Projection from wall surface	0.12" (0.3cm)
Depth required behind wall surface	3.20" (8.13cm)

**Specifications are subject to change without notice.*

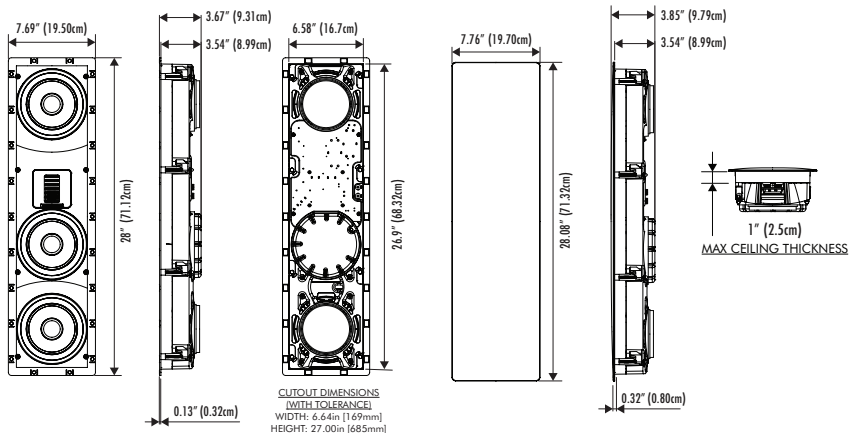


Specifications*

XTW6-LCR

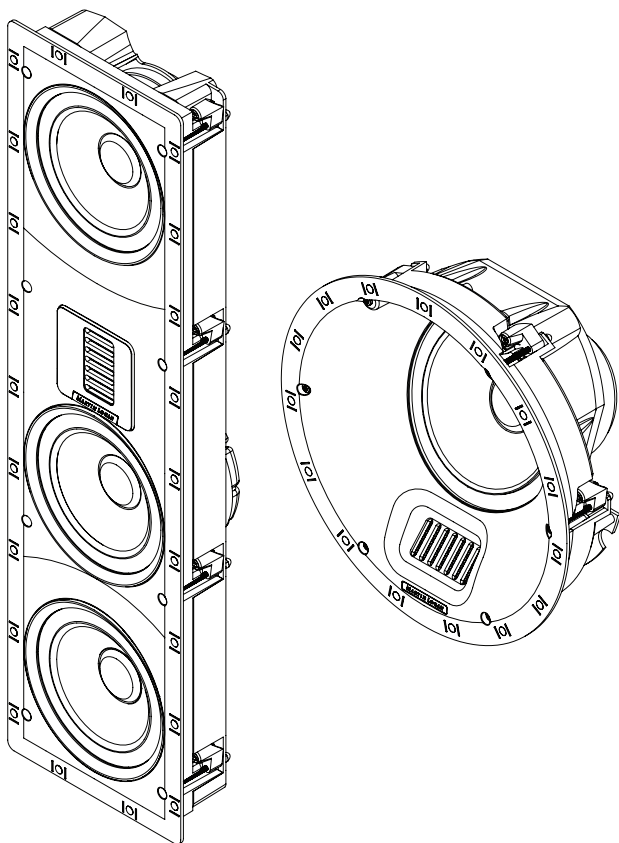
System Frequency Response	44 - 25,000 Hz ±3dB
Aiming	N/A
Sensitivity	93dB @2.83V/ 1 meter
Impedance	Compatible with 8 ohms
Crossover Frequency	260, 2,470 Hz
High-Frequency Driver	FMT Transducer 1.27" x 2.4" (3.22cm x 6.09cm) Opening 4.5" x 2.75" (11.43cm x 6.98cm) Diaphragm
Low-Frequency Driver	6.5" (16.51cm) black Kevlar with Nomex backer cone
Binding Post Inputs	Push style accommodates wire up to 12AWG
Suitable Amplifier Range	50-300 Watts
Maximum Power Handling	150 Watts
Weight	3.5 lbs. each (1.6 kg)
Overall Size (h x w x d)	28" x 7.69" x 3.67" (71.12 x 19.5 x 9.31cm)
Required opening	6.64" x 27" (16.9 x 68.5cm)
Projection from wall surface	0.13" (0.32cm)
Depth required behind wall surface	3.54" (8.99cm)

*Specifications are subject to change without notice.



XTW6 | XTC8 | XTC8-HT
XTW5-LCR | XTW6-LCR

Manuel de l'utilisateur



Motion[®] XT
MARTIN LOGAN

Enregistrez votre garantie en ligne à l'adresse suivante : www.MartinLogan.com.

Consultez votre revendeur local pour les supports de pré-installation pour les nouvelles constructions (vendus séparément).

Check-list du contenu	25	Options de placement (Haut-parleur MC8-HT ciblé)	29
Avertissements de sécurité et recyclage des DEEE	26	Raccordement	32
Grilles carrées, supports de pré-installation et boîtiers arrière	26	Installation	12
Protégez votre investissement	27	Montage au plafond (en image)	34
Rodage	27	Montage mural (en image)	35
Positionnement général du haut-parleur	27	Peindre la grille du haut-parleur	36
Options de placement (tous les modèles)	28	FAQ et dépannage	37
		Garantie et service	38
		Spécifications	39

Check-list du contenu

Vous trouverez ci-joint les éléments suivants pour votre nouveau haut-parleur MartinLogan. Si vous avez besoin d'aide, veuillez appeler notre service après-vente au (785) 749-0133.

- Installer le modèle
 - Cache grille
-

Avertissements de sécurité et recyclage des DEEE



L'éclair avec symbole en pointe de flèche à l'intérieur d'un triangle équilatéral est prévu pour alerter l'utilisateur de la présence d'une "tension dangereuse" non isolée dans l'enceinte du produit, qui peut être d'une amplitude suffisamment élevée pour constituer un risque de choc électrique.



Le point d'exclamation à l'intérieur d'un triangle équilatéral est prévu pour signaler à l'utilisateur la présence d'instructions importantes de fonctionnement et d'entretien (maintenance) dans la documentation accompagnant l'appareil.



Le feu à l'intérieur d'un triangle équilatéral est prévu pour alerter l'utilisateur sur la possibilité de créer un risque d'incendie s'il ne suit pas les instructions.



Le signe du dollar dans un triangle équilatéral est prévu pour avertir l'utilisateur qu'il risque de causer des dommages dont la réparation pourrait être coûteuse s'il ne suit pas les instructions.

AVERTISSEMENT!



- Confiez l'entretien à un technicien qualifié.
- Veuillez ne pas exposer ce module à l'humidité afin d'éviter tout risque d'incendie ou de choc électrique.
- Veuillez éteindre l'amplificateur en cas de conditions anormales.
- Veillez à ne pas dépasser la puissance nominale du haut-parleur



Conformément à la directive de l'Union européenne relative aux déchets d'équipements électriques et électroniques (DEEE) en vigueur depuis le 13 août 2005, nous souhaitons vous informer que ce produit peut contenir des matériaux réglementés dont l'élimination, conformément à la directive DEEE, nécessite une réutilisation particulière et le traitement du recyclage.

C'est pourquoi Martin Logan a pris des dispositions avec ses distributeurs dans les pays membres de l'Union européenne pour collecter et recycler ce produit gratuitement. Pour trouver votre distributeur local, veuillez contacter le revendeur auprès duquel vous avez acheté ce produit, envoyer un courriel à info@martinlogan.com ou consulter le localisateur de distributeurs à www.martinlogan.com.

Veuillez noter que seul ce produit relève de la directive DEEE. Lorsque vous vous débarrassez de l'emballage et des autres matériaux d'expédition, nous vous encourageons à recycler ces articles par les voies habituelles.

Grilles carrées, supports de pré-installation et boîtiers arrière

Des grilles carrées, des supports de pré-installation et des boîtiers de rétrofit sont disponibles pour certaines enceintes architecturales MartinLogan Motion Series. Contactez votre revendeur pour connaître la disponibilité.

Protégez votre investissement

- Utilisez un amplificateur qui correspond approximativement à la puissance spécifiée du haut-parleur.
 - Pour éviter tout dégâts, baissez le volume si le son du haut-parleur se distord, s'il est dur ou si les basses commencent à se casser.
 - Les contrôles de tonalité et les égaliseurs peuvent augmenter la probabilité de distorsion, en particulier à des volumes élevés. Utilisez ces réglages avec modération.
-

Rodage

Lorsque vous commencez à utiliser vos haut-parleurs, ils peuvent sembler un peu faibles au niveau des basses, en raison des composants de haute qualité et de longue durée de vie utilisés dans les haut-parleurs. Prévoyez environ 72 heures de rodage à 90 dB (niveaux d'écoute modérés) avant toute écoute critique.

Positionnement général du haut-parleur

Choix de la position de montage

Installez les haut-parleurs entre les poteaux muraux ou les solives du plafond en veillant à éviter les fils électriques derrière la surface du mur. Veuillez noter que le MC6-HT ne doit être utilisé qu'au plafond.

La rigidité des murs entraîne un meilleur son

Augmenter la rigidité de vos murs peut améliorer les performances sonores. Pour ce faire, pensez à ajouter des contreventements à l'intérieur du mur à environ 30 cm au-dessus et au-dessous du haut-parleur.

Atteindre une imagerie supérieure

Ces haut-parleurs MartinLogan encastrés dans les murs et les plafonds offrent une superbe image et un placement flexible dans presque tous les endroits. Toutefois, pour obtenir les meilleures performances et une meilleure image, placez les haut-parleurs à distance égale de la position d'écoute principale et évitez les obstacles physiques entre le haut-parleur et la position d'écoute principale.

L'équilibre entre les surfaces dures et souples améliore les performances en haute et moyenne fréquence

Les pièces " encombrées " de moquette, de rideaux et d'autres absorbeurs de sons peuvent rendre votre système terne et sans vie. D'autre part, les pièces peuvent avoir tellement de surfaces dures que le système ressemble à un gymnase.

Faites des expériences en ajoutant ou en enlevant des surfaces souples jusqu'à ce que vous trouviez un mélange qui vous convienne.

Équilibrage du rendement des basses

L'emplacement en coin de ces haut-parleurs renforcera le rendement des basses. Si vous souhaitez un rendement équilibré sur l'ensemble du spectre audio, évitez de monter ces haut-parleurs dans un coin.

Lorsque vous choisissez un placement, veuillez suivre ces recommandations simples. Gardez à l'esprit qu'il ne s'agit que de recommandations et que les besoins particuliers de votre installation peuvent nécessiter un autre choix :

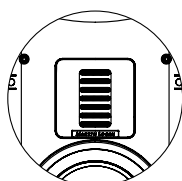
- Placez-les à une distance minimale de 30 cm par rapport à tout coin de mur.
- Placez les façades/centres à une distance égale entre 3 et 4,3 mètres de la position d'écoute.
- XTC8, et XTC8-HT. Installez uniquement au plafond.

Options de placement (tous les modèles)

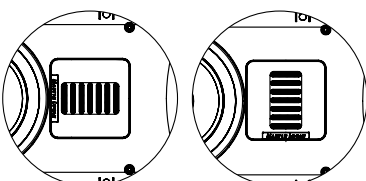
Les haut-parleurs architecturaux de la série Motion XT sont dotés du tweeter à mouvement plié le plus performant de MartinLogan, le FMT XT. En plus des performances accrues par rapport à notre FMT de taille standard, ce tweeter à couche mince unique présente un diagramme de dispersion encore plus contrôlé de 80° par 30°. Ce "cône sonore" contrôlé réduit encore davantage les interactions acoustiques indésirables et peut être extrêmement utile pour éviter les réflexions sonores dans la pièce qui, autrement, entraîneraient une diminution de la qualité sonore. Pour obtenir des performances optimales, il convient de prêter attention à l'emplacement de montage du haut-parleur afin de s'assurer que la zone d'écoute principale se trouve dans le diagramme de dispersion du tweeter. N'oubliez pas que plus l'auditeur est éloigné du haut-parleur, plus la zone de couverture du tweeter s'élargit. En raison de la dispersion unique du tweeter FMT XT, la dispersion ou la zone de couverture des haut-parleurs encastrés Motion XT CI peut être ajustée en positionnant le tweeter soit horizontalement soit verticalement. Par défaut, les modèles encastrés sont prêts à être installés avec le tweeter dans l'orientation verticale, ce qui permet d'obtenir un modèle de dispersion horizontale de 80° x verticale de 30°. En fonction de la disposition de la salle, de la position des sièges et des exigences d'installation, le tweeter peut être utilisé en orientation horizontale ou verticale pour fournir la meilleure couverture possible. Par exemple, lors de l'installation d'un haut-parleur encastré plus haut sur le mur (bien au-dessus de la hauteur de la zone d'assise), il peut être plus avantageux d'orienter le tweeter en position "horizontale" afin que le diagramme de dispersion devienne 30° horizontal par 80° vertical pour garantir que la zone d'écoute principale se trouve dans la couverture du tweeter. En d'autres termes, le FMT XT offre une dispersion de 80° x 30° et vous pouvez décider de l'orientation la plus appropriée pour votre système afin d'obtenir la meilleure couverture et les meilleures performances. Le côté de dispersion à 30°, plus contrôlé, peut être utilisé pour aider à éliminer les réflexions sonores indésirables ou à réduire les "fuites sonores" indésirables dans d'autres zones de la maison, en particulier dans les plans d'étage ouverts. La dispersion contrôlée est un outil qui permet d'obtenir une meilleure qualité sonore là où ça compte vraiment, c'est-à-dire dans vos oreilles ! N'hésitez donc pas à expérimenter les deux options pour vous aider à choisir celle qui convient le mieux à votre installation.

LE TWEETER TOURNE 90 °

INSTALLATION VERTICALE



INSTALLATION HORIZONTALE



Options de placement (haut-parleur ciblé XTC8-HT)

Les haut-parleurs XTC8-HT sont optimisés pour une utilisation dans des pièces dont la hauteur de plafond est comprise entre 2,4 et 2,74 mètres. Dirigez le tweeter vers la position d'écoute principale. Pour une clarté globale et des performances équilibrées dans les basses, ces haut-parleurs doivent être montés dans le plafond à 30 cm ou plus du mur, comme indiqué sur les figures 3a à 4a.

Placement du canal avant (Fig. 2a & 2b)

Suivez les directives générales pour le placement des haut-parleurs fournies au début de la section principale en gardant à l'esprit que la distance entre les haut-parleurs avant et votre zone d'écoute principale doit être de 3 à 4,3 m, comme indiqué. Dirigez les conducteurs vers la position d'écoute principale.

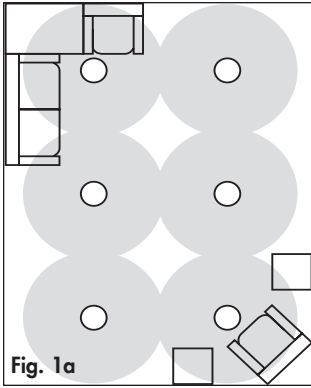
Surround/placement arrière à rayonnement non direct (Fig. 3a-3c)

Ces haut-parleurs sont également parfaits pour une utilisation en surround ou en surround canaux arrière. En orientant le haut-parleur de manière à ce que le son rebondisse sur les murs, on crée un champ sonore enveloppant et réverbérant. N'oubliez pas que les haut-parleurs doivent être montés à 30 cm ou plus du mur.

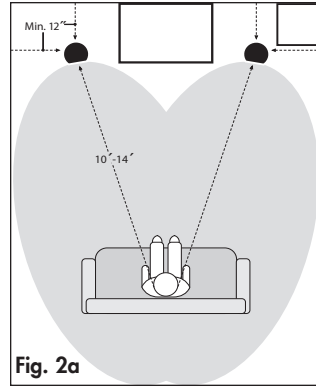
- *5.1-Placement du surround canal (Fig. 3a) : Placez un haut-parleur de chaque côté de la zone d'écoute, l'ensemble des haut-parleurs étant dirigé vers les parois latérales.*
- *6.1- Placement du canal arrière (Fig. 3b): Commencez par '5.1-Placement du surround canal' (ci-dessus). Centrer un haut-parleur derrière la zone d'écoute, l'ensemble des haut-parleurs étant dirigé vers le mur arrière.*
- *7.1- Placement du canal arrière (Fig. 3c): Commencez par '5.1-Placement du surround canal' (ci-dessus). Placez une autre paire d'hauts parleurs d'XTC8-HT derrière la zone d'écoute, l'un légèrement à droite, l'autre légèrement à gauche, l'ensemble des haut-parleurs étant dirigés vers le fond de la pièce comme indiqué.*

Placement du surround/arrière centre à radiation direct

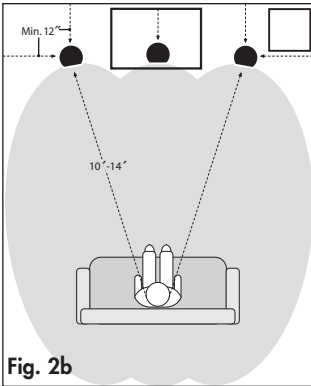
Le XTC8-HT peut être utilisé comme haut-parleur à radiation directe, positionné avec l'ensemble des haut-parleurs dirigés vers la zone d'écoute. Utilisez la Fig.3d ou 4a comme guide de positionnement pendant que vous expérimentez pour obtenir un son surround optimal dans votre pièce.



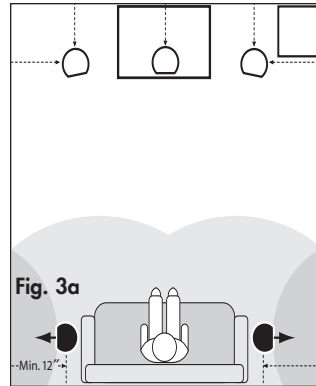
XTC8: Haut-parleurs multiples, audio distribué.



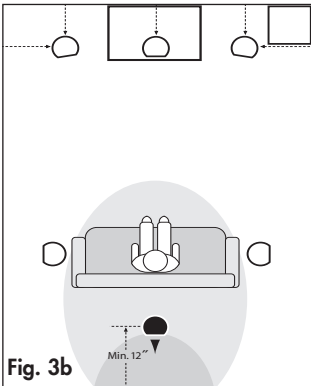
XTC8-HT: Haut-parleurs avant gauche et droit.



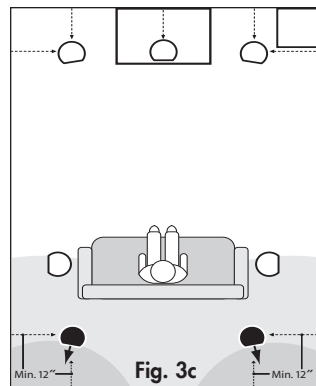
XTC8-HT: Haut-parleurs avant gauche, central et droit.



XTC8-HT: Canaux surround non directs dans un système à 5.1 canaux.



XTC8-HT: Canal arrière non direct dans un système à 6.1 canaux.



XTC8-HT: Non-direct canaux arrière dans un système à 7,1 canaux.

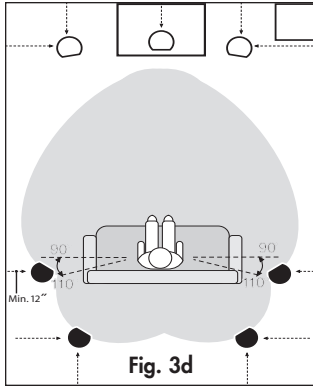


Fig. 3d
XTC8-HT: Canaux surround et arrière à rayonnement direct dans un système à 7,1 canaux

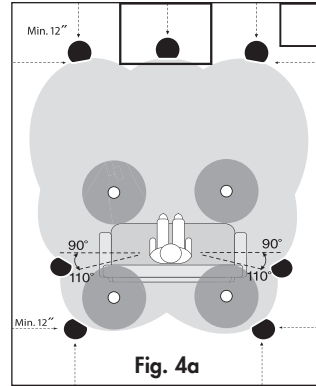


Fig. 4a
XTC8-HT + XTC8: Rayonnement direct des canaux avant, central gauche, surround et arrière dans un système 7.1.4 canaux avec haut-parleurs de hauteur Atmos.

Stereo and Home Theater Applications (no illustration)

Les haut-parleurs muraux et au plafond de la série MartinLogan Motion XT sont idéaux pour les installations de home cinéma stéréo à deux canaux et multicanaux. Les lignes directrices de la section précédente s'appliquent aux haut-parleurs encastrés dans les murs et les plafonds.

Haut-parleurs multiples, audio distribué (Fig. 1a)

Dans les grands espaces (bureaux, etc.), plusieurs haut-parleurs peuvent être utilisés pour éliminer les déséquilibres sonores qui se produisent avec des haut-parleurs stéréo séparés lorsque les personnes se déplacent dans la pièce ou sont assises plus près d'un haut-parleur que de l'autre. Positionnez les haut-parleurs de manière à obtenir la couverture sonore la plus large possible dans la zone d'écoute principale. La XTC8-HT inclinée peut être utile pour aider à orienter et à concentrer le son vers une zone que vous essayez de couvrir.

Placement du modèle Motion XT LCR (no illustration)

Le XTW5-LCR et le XTW6-LCR sont de véritables modèles gauche, centre, droite ("LCR") qui peuvent être utilisés dans n'importe quelle position murale dans une installation stéréo ou home cinéma. Les deux modèles sont conçus pour être montés verticalement ou horizontalement, selon les besoins ou les exigences de votre installation. L'ensemble des haut-parleurs de plage moyenne de la XTW6-LCR donne à l'haut-parleur une disposition asymétrique lorsqu'il est monté horizontalement. Cette conception n'a pas d'impact négatif sur les performances du haut-parleur lorsqu'il est utilisé dans cette disposition, et il doit être aligné en fonction de ses dimensions extérieures et non de l'emplacement du tweeter. Lorsque le XTW6-LCR est monté horizontalement, il peut être nécessaire de modifier ou d'encadrer la travée pour tenir compte de la largeur supplémentaire du haut-parleur. Veuillez consulter un entrepreneur agréé pour obtenir des conseils ou une assistance appropriée lorsque l'installation nécessite de telles modifications.

Raccordement

Raccordez la borne rouge (+) de l'amplificateur à la borne rouge (+) du haut-parleur. Raccordez la borne noire (-) de l'amplificateur à la borne noire (-) du haut-parleur.

Installation

NOTE : Ces instructions supposent que la surface de montage est constituée d'un cadre en bois standard et d'une construction en cloison sèche standard. Si vous souhaitez monter les haut-parleurs sur un autre type de matériau, vous devez contacter un entrepreneur agréé.

NOTE : Consultez votre revendeur local pour les supports de pré-installation pour les nouvelles constructions, les grilles carrées (modèles encastrés au plafond uniquement) et les boîtiers arrière (modèles encastrés au plafond uniquement) (accessoires vendus séparément).

NOTE : Bien qu'il soit possible d'utiliser un tournevis manuel pour l'installation, nous suggérons fortement d'utiliser une perceuse électrique. Pour éviter d'endommager ou de casser les pinces, réglez votre perceuse sur un réglage de VITESSE ÉLEVÉE mais de COUPLE FAIBLE. Un réglage de puissance élevé n'est PAS nécessaire et peut provoquer des fissures ou des ruptures des pinces sous l'effet de la force supplémentaire. De tels dommages ne sont pas couverts par la garantie.



AVERTISSEMENT ! Avant l'installation, vérifiez les codes de construction locaux pour vous assurer qu'ils sont conformes aux réglementations locales.



AVERTISSEMENT ! Avant l'installation, vérifiez qu'il n'y a pas d'obstacles derrière les cloisons sèches. Pour ce faire, faites un petit trou, en coupant à un angle de 45° (cela facilitera la réparation du trou si des obstructions sont trouvées). Ne découpez le trou de montage qu'après avoir vérifié qu'il n'y a pas d'obstructions derrière le mur sec. **AVERTISSEMENT !** N'utilisez que des câbles de haut-parleurs prévus pour une utilisation murale. La norme UL est CL2, CL3 et CM. La norme CSA est FT4.

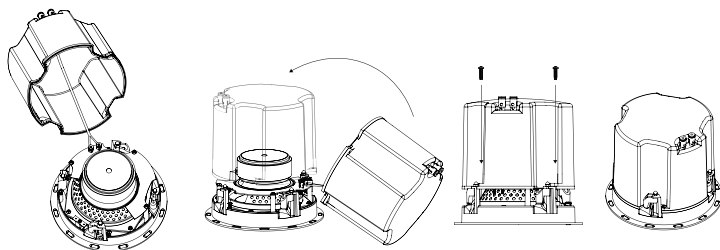


AVERTISSEMENT ! Éteignez votre amplificateur avant d'établir ou de rompre toute connexion de signal.

Outils recommandés

- Détecteur de poteaux
- Couteau/scie pour cloisons sèches
- Perceuse électrique
- Stylo ou crayon pointu
- Dénudeurs de fils
- Ruban à mesurer
- Ruban adhésif à faible adhérence

NOTE: Des boîtiers rétrofusibles sont disponibles pour tous les haut-parleurs de la série Motion installés au plafond. Ces boîtiers arrière réduisent le son qui "fuit" dans la zone située au-dessus de l'endroit où le haut-parleur est installé. Par exemple, si vous installez un home cinéma en bas et qu'il y a des espaces de vie directement au-dessus de l'endroit où les haut-parleurs sont installés, il peut être souhaitable d'utiliser ces boîtiers arrière pour aider à contenir le son afin qu'il ne perturbe pas ceux qui se trouvent au-dessus des haut-parleurs.



1. Si le modèle comporte un centre amovible, retirez-le à ce moment.
2. À l'aide d'un détecteur de poteaux, placez le gabarit complètement entre les poteaux muraux ou les solives de plafond.

XTC8, et **XTC8-HT**: Installez uniquement au plafond.

3. Maintenez ou collez le gabarit en place et marquez la découpe avec un crayon. Pour les haut-parleurs rectangulaires, mettez le gabarit à niveau avant de marquer (figures 5a, 6a et 6b).
4. Retirez le gabarit et découpez l'ouverture à l'aide d'un couteau à cloison sèche (figures 5b et 6c).
5. **Au mur :** Si vous le souhaitez, placez un isolant en fibre de verre au-dessus et au-dessous de l'ouverture. Placez un morceau de fibre de verre isolant d'une demi-épaisseur derrière le haut-parleur.
Au plafond : Si vous le souhaitez, placez un isolant en fibre de verre de 30 cm ou plus d'épaisseur entre les solives directement au-dessus du haut-parleur.
6. Connecter les câbles des haut-parleurs. Soyez cohérent lorsque vous connectez les câbles des haut-parleurs aux bornes. Veillez à attribuer la même couleur à la borne (+) du haut-parleur et de l'amplificateur.
7. Réglez votre perceuse électrique sur le réglage haute vitesse mais faible couple.
8. Assurez-vous que les pinces sur la bordure du haut-parleur sont positionnées exactement comme indiqué dans les diagrammes d'avertissement.
9. Poussez doucement l'ensemble dans le trou du plafond ou du mur (Fig. 5c & 6d).
10. En soutenant l'ensemble d'une main, serrez chaque vis à l'aide de la perceuse électrique et de la mèche Torx T20. Arrêtez de serrer lorsque vous sentez une résistance (figures 5d et 6e). MC6-HT : Avant de serrer les vis, orientez le haut-parleur de manière à ce que les haut-parleurs soient positionnés dans la position souhaitée.
11. Appuyez doucement sur la grille pour la mettre en place (Fig. 5e et 6f).

Installation et raccordement des haut-parleurs (en images)

NOTE: Si les pinces ne sont pas réglées dans la bonne position, utilisez un tournevis pour tourner les vis dans le sens inverse des aiguilles d'une montre jusqu'à ce que les pinces soient dans la bonne position.

Montage au plafond

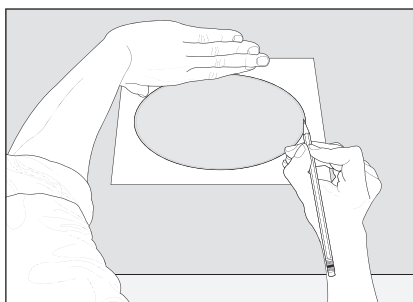
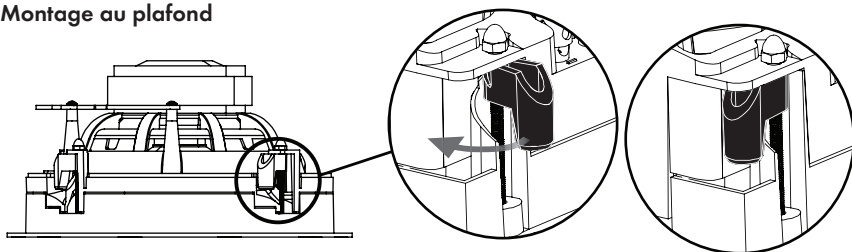


Fig. 5a

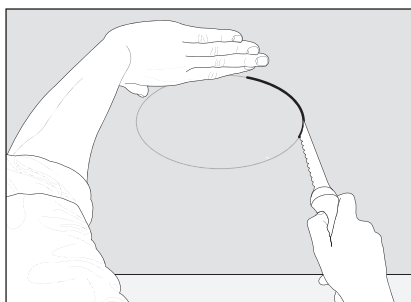


Fig. 5b

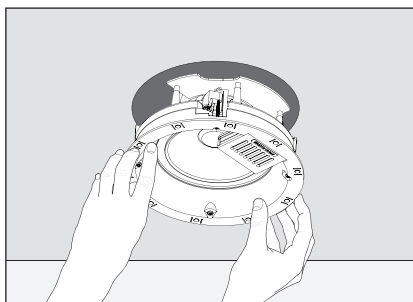


Fig. 5c

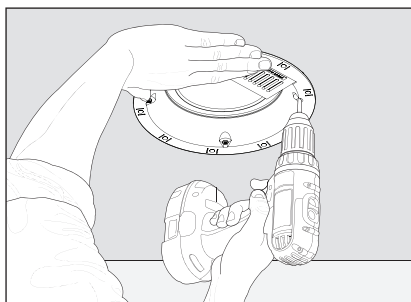


Fig. 5d

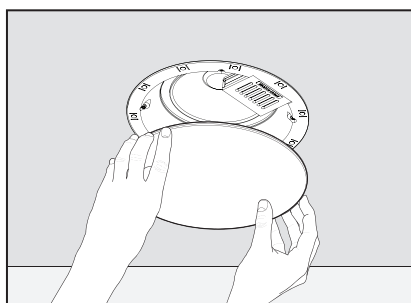


Fig. 5e

Montage au mur

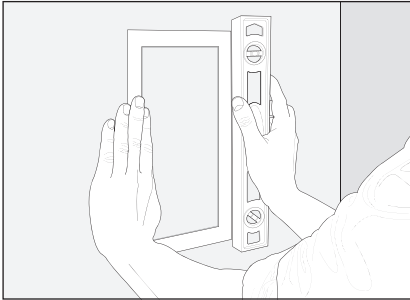
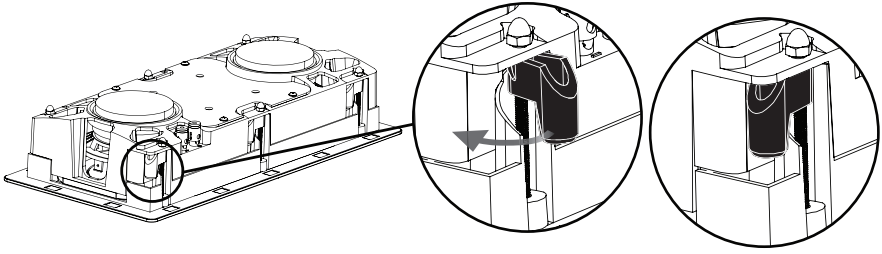


Fig. 6a

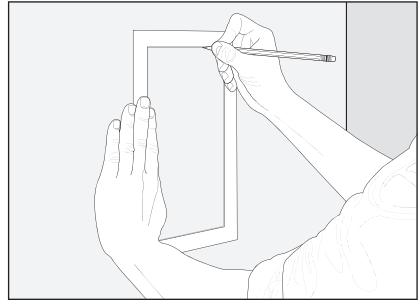


Fig. 6b

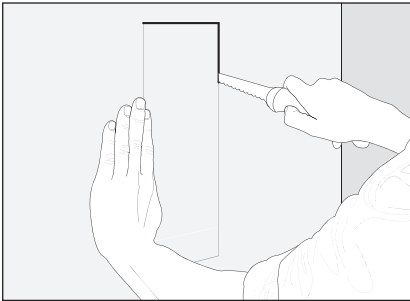


Fig. 6c

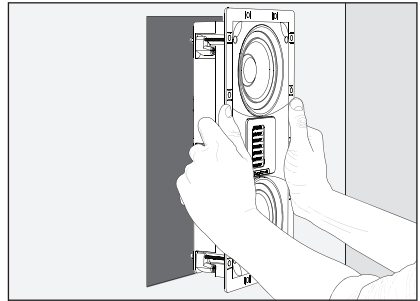


Fig. 6d

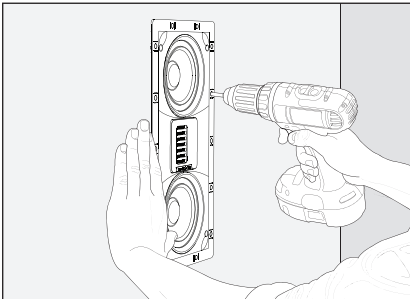


Fig. 6e

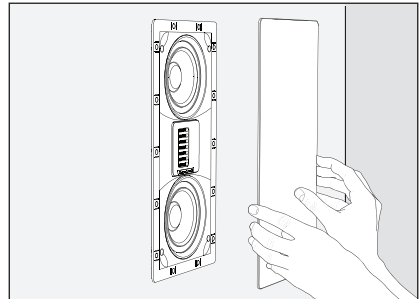


Fig. 6f

Peindre la grille du haut-parleur

IMPORTANT! Avant de peindre, retirez la grille des haut-parleurs. Ne peignez pas la surface du haut-parleur derrière la grille. N'utilisez pas de rouleau à peindre.

1. Retirez la grille du haut-parleur.
2. Peindre la grille, en faisant attention à ne pas boucher les trous. Pour un résultat optimal, utilisez un spray plutôt qu'un pinceau. Laissez la peinture sécher complètement avant de continuer. Ne peignez pas la surface située derrière la grille.

Foire aux questions

Comment puis-je nettoyer mes haut-parleurs ? Utilisez un chiffon dépoussiérant ou une brosse douce pour enlever la poussière de vos haut-parleurs. Ne vaporisez aucun produit de nettoyage sur les haut-parleurs ou à proximité de ceux-ci.

Quelle puissance d'amplification dois-je utiliser ? Nous vous recommandons d'utiliser un amplificateur dont la puissance se situe dans la plage d'amplification appropriée de vos haut-parleurs.

Pourriez-vous suggérer une liste d'appareils électroniques et de câbles appropriés qui seraient idéaux pour les haut-parleurs de MartinLogan ? Le domaine de l'électronique et du choix des câbles est probablement le type de question le plus courant que nous recevons. C'est aussi la plus subjective. Nous avons constaté à plusieurs reprises que les marques qui fonctionnent bien dans une configuration vont rendre quelqu'un d'autre fou dans une autre. Nous utilisons de nombreuses marques avec un grand succès. Encore une fois, nous n'avons pas de favoris ; nous utilisons l'électronique et les câbles de manière tout à fait interchangeable. Nous vous suggérons d'écouter un certain nombre de marques et surtout de vous fier à vos oreilles. Les revendeurs sont toujours la meilleure source d'information lors de l'achat de matériel audio ou de câbles supplémentaires et ils connaissent bien les exigences de sécurité particulières pour les câbles encastrés.

L'exposition à la lumière du soleil aura-t-elle une incidence sur la durée de vie ou les performances de mes haut-parleurs ? Nous vous recommandons de ne placer aucun haut-parleur à la lumière directe du soleil. Les rayons ultraviolets (UV) du soleil peuvent entraîner la détérioration des tissus de la grille, des cônes des haut-parleurs, etc. Une petite exposition aux UV ne pose pas de problème. En général, le filtrage des rayons UV à travers le verre permet de réduire considérablement les effets négatifs.

Dépannage

Pas de sortie

- Vérifiez que tous les composants de votre système sont allumés, et non pas mis en sourdine, et que votre contrôle d'équilibre (le cas échéant) est correctement réglé.
- Vérifiez que votre prise de courant murale fonctionne.
- Vérifiez vos cordons d'alimentation, les fils des haut-parleurs et les câbles d'interconnexion.
- Vérifiez qu'aucun casque n'est branché.
- Remplacez les fils des haut-parleurs de votre amplificateur par ceux d'un haut-parleur qui fonctionne correctement. Si l'absence de sortie se déplace vers un autre haut-parleur, le problème peut provenir d'un autre équipement de votre système (c'est-à-dire l'amplificateur, le préamplificateur, le processeur, etc.)
- Essayez de brancher un autre ensemble de haut-parleurs. Le manque de sortie peut être dû à un problème avec d'autres équipements de votre système (ampli, préampli, processeur, etc.)

Manque de basse ou mauvaise imagerie

- Vérifiez les fils de vos haut-parleurs. La polarité est-elle correcte - (+) à (+) et (-) à (-) ?
- L'utilisation de boîtiers arrière optionnels réduira la sortie des basses du haut-parleur car ces boîtiers réduisent l'espace d'air que le haut-parleur de graves peut utiliser. C'est le compromis à faire pour réduire le son indésirable qui peut se propager dans d'autres zones de la maison.

Garantie

MartinLogan propose un enregistrement de garantie en ligne sur www.martinlogan.com.

Votre haut-parleur est automatiquement couvert par une garantie limitée de 90 jours.

Vous avez la possibilité, sans frais supplémentaires, de bénéficier d'une garantie limitée à 5 ans. Pour obtenir la couverture de la garantie limitée de 5 ans, inscrivez vos haut-parleurs sur www.martinlogan.com. Enregistrez une copie du reçu de votre revendeur car il peut être demandé si un service est nécessaire.

MartinLogan ne peut pas honorer les demandes de service de garantie si nous n'avons pas un enregistrement de garantie dûment rempli dans nos dossiers à www.MartinLogan.com !

Service

Si vous utilisez votre produit MartinLogan dans un pays autre que celui où il a été acheté à l'origine, nous vous demandons de prendre note de ce qui suit :

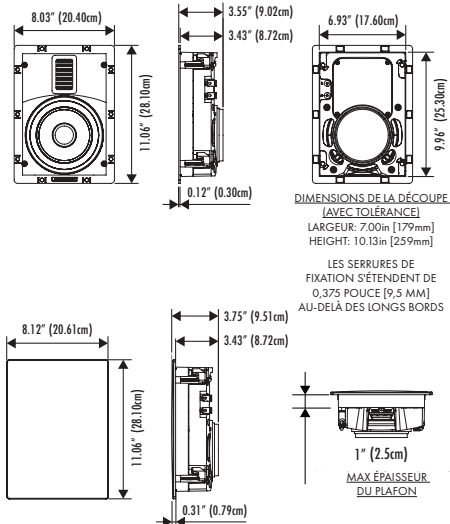
- 1 Le distributeur MartinLogan désigné pour un pays donné est responsable du service de garantie uniquement pour les unités distribuées par lui ou par son intermédiaire dans ce pays, conformément à sa garantie applicable.
- 2 Si un produit MartinLogan doit être réparé dans un pays autre que celui où il a été acheté à l'origine, l'utilisateur final peut demander à ce que les réparations soient effectuées par le distributeur MartinLogan le plus proche, sous réserve des politiques de service locales de ce distributeur, mais tous les coûts de réparation (pièces, main-d'œuvre, transport) doivent être supportés par le propriétaire du produit MartinLogan.
- 3 Si, après avoir possédé vos haut-parleurs pendant six mois, vous déménagez dans un pays autre que celui où vous avez acheté vos haut-parleurs, votre garantie peut être transférable. Contactez MartinLogan pour plus de détails.

Specifications*

XTCW6

Réponse de la fréquence du système	56 - 25,000 Hz ±3dB
Objectif	N/A
Sensibilité	91dB @2.83V/ 1 mètre
Impédance	Compatible avec 8 ohms
Fréquence de transition	2,460 Hz
Ensemble à haute fréquence	FMT Transducteur 1.27" x 2.4" (3.22cm x 6.09cm) Ouverture 4.5" x 2.75" (11.43cm x 6.98cm) Diaphragme
Ensemble à basse fréquence	6.5" (16.51cm) Kevlar noir avec support Nomex
Entrées des bornes de raccordement	Le style "push" permet d'utiliser des fils jusqu'à 12AWG
Gamme d'amplificateurs appropriée	50-200 Watts
Manipulation de la puissance maximale	100 Watts
Poids	1.2 lbs. chacun (0.5 kg)
Taille globale (dia. x profondeur)	11.06" x 8.03" x 3.55" (28.1 x 20.4 x 9.02cm)
Ouverture nécessaire	7" x 10.13" (17.9 x 25.9cm)
Projection à partir de la surface du mur	0.31" (0.79cm)
Profondeur nécessaire derrière la surface du mur	3.43" (8.72cm)

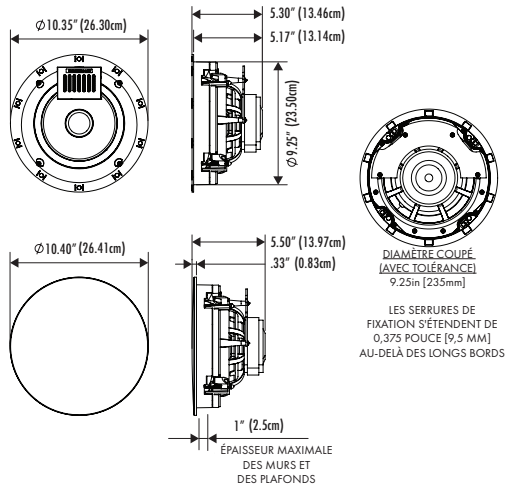
*Les spécifications sont susceptibles d'être modifiées sans préavis.



XTC8

Réponse à la fréquence du système	51 - 25,000 Hz \pm 3dB
Objectif	N/A
Sensibilité.	91dB @2.83V/ 1 mètre
Impédance	Compatible avec 8 ohms
Fréquence de transition.	2,270 Hz
Ensemble à haute fréquence	FMT Transducteur 1.27" x 2.4" (3.22cm x 6.09cm) Ouverture 4.5" x 2.75" (11.43cm x 6.98cm) Diaphragme
Ensemble à basse fréquence	8" (20.32cm) Kevlar noir avec support Nomex
Entrées des bornes de raccordement	Le style "push" permet d'utiliser des fils jusqu'à 12AWG
Gamme d'amplificateurs appropriée	15-300 Watts
Manipulation de la puissance maximale	150 Watts
Poids	1.2 lbs. chacun (0.5 kg)
Taille globale (dia. x profondeur)	10.35" x 5.30" (26.30 x 13.46cm)
Ouverture nécessaire	9.25" (9.5cm) diamètre
Projection à partir de la surface du mur.	0.33" (23.5cm)
Profondeur nécessaire derrière la surface du mur	5.50" (13.97cm)

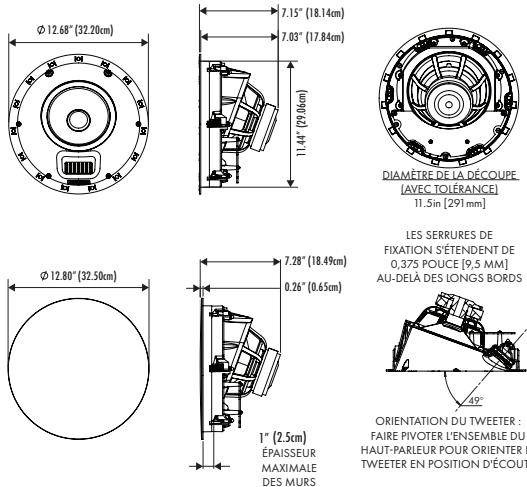
*Les spécifications sont susceptibles d'être modifiées sans préavis.



XTC8-HT

Réponse de la fréquence du système	51 - 25,000 Hz \pm 3dB
Objectif	Faire pivoter le haut-parleur
Sensibilité	91dB @2.83V/ 1 meter
Impédance	Compatible avec 8 ohms
Fréquence de transition	2,000 Hz
Ensemble à haute fréquence	FMT Transducteur 1.27" x 2.4" (3.22cm x 6.09cm) Ouverture 4.5" x 2.75" (11.43cm x 6.98cm) Diaphragme
Ensemble à basse fréquence	8" (20.32cm) Kevlar noir avec support Nomex
Entrées des bornes de raccordement	Le style "push" permet d'utiliser des fils jusqu'à 12AWG
Gamme d'amplificateurs appropriée	50-300 Watts
Manipulation de la puissance maximale	150 Watts
Poids	5.3 lbs. chacun (2.4 kg)
Taille globale (dia. x profondeur)	12.68" x 7.15" (32.2 x 18.14cm)
Ouverture nécessaire	11.5" (29.1cm) diamètre
Projection à partir de la surface du mur	0.26" (0.65cm)
Profondeur nécessaire derrière la surface du mur	7.03" (17.84cm)

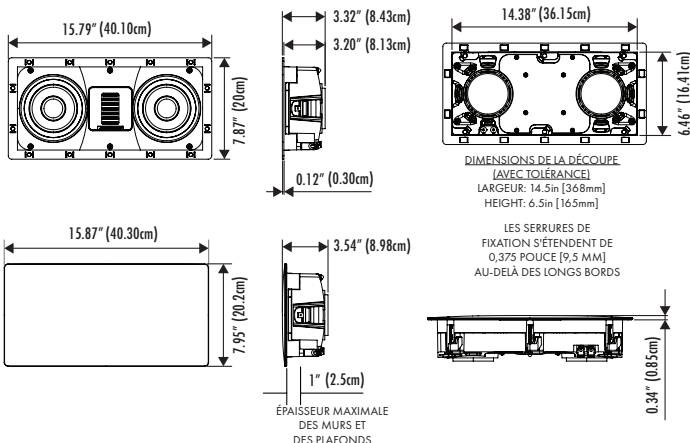
*Les spécifications sont susceptibles d'être modifiées sans préavis.



XTW5-LCR

Réponse de la fréquence du système	61 - 25,000 Hz \pm 3dB
Objectif	N/A
Sensibilité	92dB @2.83V/ 1 mètre
Impédance	Compatible avec 8 ohms
Fréquence de transition	2,180 Hz
Ensemble à haute fréquence	FMT Transducteur 1.27" x 2.4" (3.22cm x 6.09cm) Ouverture 4.5" x 2.75" (11.43cm x 6.98cm) Diaphragme
Ensemble à basse fréquence	5.25" (13.33cm) Kevlar noir avec support Nomex
Entrées des bornes de raccordement	Le style "push" permet d'utiliser des fils jusqu'à 12AWG
Gamme d'amplificateurs appropriée	50-250 Watts
Manipulation de la puissance maximale	125 Watts
Poids	4.4 lbs. chacun (2 kg)
Taille globale (dia. x profondeur)	7.87" x 15.79" x 3.32" (20 x 40.1 x 8.43cm)
Ouverture nécessaire	14.5" x 6.5" (36.8 x 16.5cm)
Projection à partir de la surface du mur	0.12" (0.3cm)
Profondeur nécessaire derrière la surface du mur	3.20" (8.13cm)

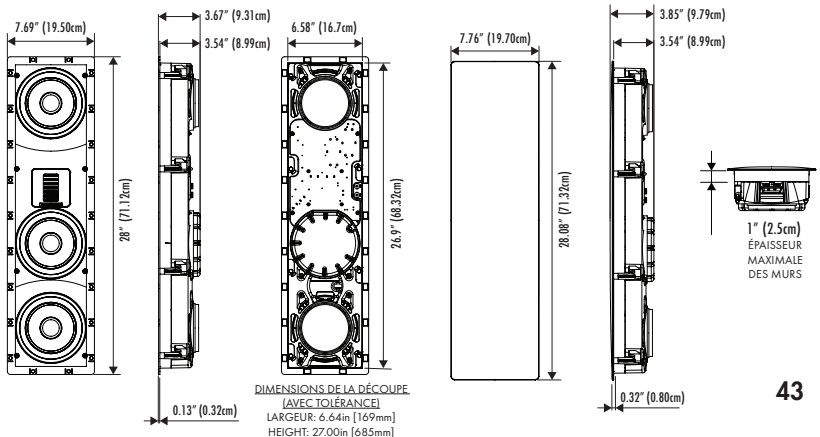
*Les spécifications sont susceptibles d'être modifiées sans préavis.



XTW6-LCR

Réponse de la fréquence du système	44 - 25,000 Hz \pm 3dB
Objectif	N/A
Sensibilité	93dB @2.83V/ 1 mètre
Impédance	Compatible avec 8 ohms
Fréquence de transition	260, 2,470 Hz
Ensemble à haute fréquence	FMT Transducteur 1.27" x 2.4" (3.22cm x 6.09cm) Ouverture 4.5" x 2.75" (11.43cm x 6.98cm) Diaphragme
Ensemble à basse fréquence	6.5" (16.51cm) Kevlar noir avec support Nomex
Entrées des bornes de raccordement	Le style "push" permet d'utiliser des fils jusqu'à 12AWG
Gamme d'amplificateurs appropriée	50-300 Watts
Manipulation de la puissance maximale	150 Watts
Poids	3.5 lbs. chacun (1.6 kg)
Taille globale (dia. x profondeur)	28" x 7.69" x 3.67" (71.12 x 19.5 x 9.31cm)
Ouverture nécessaire	6.64" x 27" (16.9 x 68.5cm)
Projection à partir de la surface du mur	0.13" (0.32cm)
Profondeur nécessaire derrière la surface du mur	3.54" (8.99cm)

**Les spécifications sont susceptibles d'être modifiées sans préavis.*



NOTES

Motion^{®/MD}

MARTIN LOGAN

Lawrence, Kansas, USA tel 785.749.0133 fax 785.749.5320 www.martinlogan.com

DuPont[™] and Nomex[®] are trademarks or registered trademarks of E.I. du Pont de Nemours and Company.
DuPont^{MC} et Nomex^{MD} sont des marques commerciales ou des marques déposées de E.I. du Pont de Nemours et Compagnie.

©2021 MartinLogan Ltd. All rights reserved / Tous droits réservés.