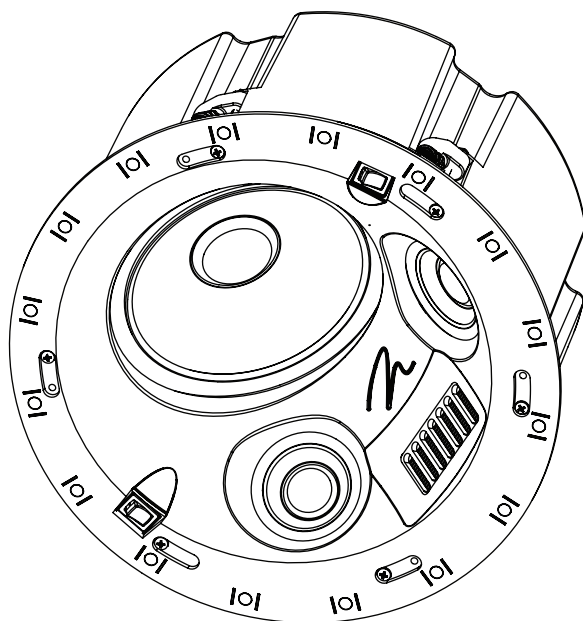


# *Sistine* 4XC

user's manual



MARTIN LOGAN®

**WARNING!**



- Refer servicing to a qualified technician.
- To prevent fire or shock hazard, do not expose this module to moisture.
- Turn amplifier off should any abnormal conditions occur.
- Do not drive speaker beyond its rated power.



The lightning bolt flash with arrowhead symbol within an equilateral triangle is intended to alert the user to the presence of uninsulated “dangerous voltage” within the product’s enclosure that may be of sufficient magnitude to constitute a risk of electric shock.



The exclamation point within an equilateral triangle is intended to alert the user to the presence of important operating and maintenance (servicing) instructions in the literature accompanying the appliance.



The fire within an equilateral triangle is intended to alert the user to the potential of creating a fire hazard if they do not follow the instructions.



The dollar sign within an equilateral triangle is intended to alert the user that they run the risk of causing damage that could be potentially expensive to repair if they don’t follow the instructions.



Per the European Union WEEE (Waste Electrical and Electronic Equipment) directive effective August 13, 2005, we would like to notify you that this product may contain regulated materials which upon disposal, according to the WEEE directive, requires special reuse and recycling processing. For this reason, Martin Logan has arranged with our distributors in European Union member nations to collect and recycle this product at no cost to you.

**Content Check List . . . . . 3**  
**Connection . . . . . 4**  
**Protect Your Investment . . . . . 4**  
**Break-In . . . . . 4**  
**Speaker Placement . . . . . 4**  
 Achieving Superior Imaging . . . . . 4  
 Balancing Hard vs. Soft Surfaces Improves . . 4  
 Choosing a Mounting Location . . . . . 4  
 Balancing Bass Output. . . . . 5  
 Suggested Placement of In-Ceiling Loudspeakers 5  
**Painting the Speaker Grille . . . . . 6**  
**Installation . . . . . 6**  
**Frequently Asked Questions. . . . . 8**  
**Troubleshooting. . . . . 8**  
**Contacting Customer Service . . . . . 9**  
**General Information . . . . . 9**  
 Warranty Information . . . . . 9  
 Serial Number. . . . . 9  
 Service . . . . . 9  
**Specifications . . . . . 12**

Serial Number: \_\_\_\_\_

Record your serial number here for easy reference. You will need this information when filling out your warranty registration. The serial number is located near the binding posts and on the product carton.



To find your local distributor, please contact the dealer from whom you purchased this product, email [info@martinlogan.com](mailto:info@martinlogan.com) or visit the distributor locator at [www.martinlogan.com](http://www.martinlogan.com).

Please note, only this product itself falls under the WEEE directive. When disposing of the packaging and other related shipping materials we encourage you to recycle these items through the usual channels.

# CONTENT CHECK LIST

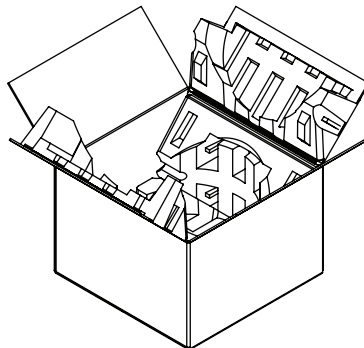
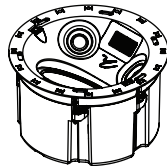
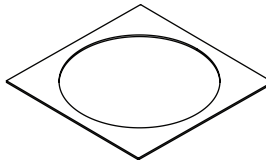
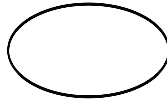
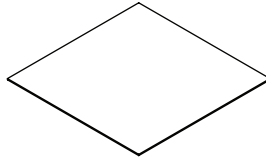
You will find the following items enclosed for your new MartinLogan loudspeaker. Should you require assistance, please call our service department at (785) 749-0133.

- Install Template

- Grille Cover

- Paint Shield

- Torx T20 Driver



## CONNECTION

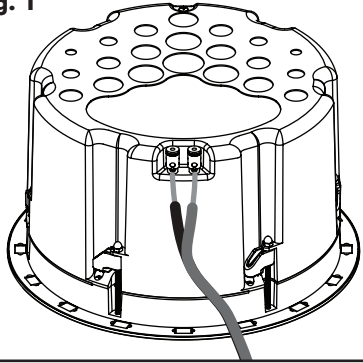
**WARNING!** Turn your amplifier off before making or breaking any signal connections!



These speakers are designed with easy-to-use push-style binding posts that accept bare wire (fig. 1).

Assign the same color to the (+) and (-) terminals on both the speaker and the amplifier. Make sure that all connections are tight.

Fig. 1



## PROTECT YOUR INVESTMENT

- Use an amp that approximately matches the speaker's specified power handling.
- To avoid damage, turn down the volume if the speaker is distorting, sounds harsh, or the bass begins to break up.
- Tone controls and equalizers may increase the likelihood of distortion, especially at high volumes. Use these settings sparingly.

## BREAK-IN

When you first begin to play your speakers, they will sound a bit bass shy, due to the high quality, long-life components used in the drivers. Allow

approximately 72 hours of break-in at 90 dB (moderate listening levels) before any critical listening.

## SPEAKER PLACEMENT

### Achieving Superior Imaging

These MartinLogan in-ceiling speakers offer superb imaging and flexible placement in nearly any location. However, for best performance and imaging place speakers equidistant from one another and avoid physical obstructions between the speaker and primary listening position.

Rooms that are "overdamped" with carpeting, drapes, and other sound absorbers can cause your system to be dull and lifeless. On the other hand, rooms can have so many hard surfaces that the system sounds like a gymnasium. Experiment by adding or removing soft surfaces until you find a mix that is right for you.

### Balancing Hard vs. Soft Surfaces Improves High- and Mid-Frequency Performance

### Choosing a Mounting Location

Install the Sistine 4XC between ceiling joists. Be

careful to avoid electrical wires behind the wall and ceiling surfaces.

### Balancing Bass Output

Corner placement of these speakers will reinforce their bass output. If you require balanced output across the entire audio spectrum avoid mounting these speakers in a corner.

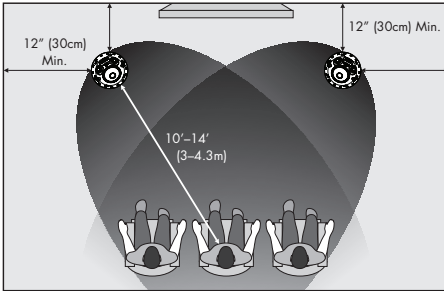


Figure 2. 2-channel installation.

### When choosing placement, follow these simple tips:

- Place a minimum of 12" (30 cm) from any wall corner.
- Place front and center channels equidistant between 10-14 feet (3-4.3 m) from the listening position.
- Orient the tweeter towards the primary listening position.

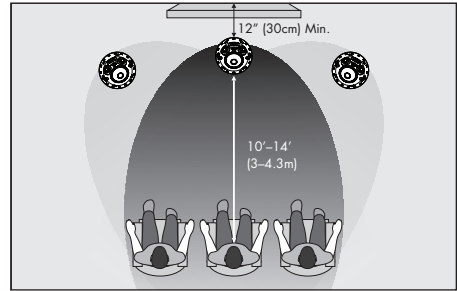


Figure 3. Adding a center channel.

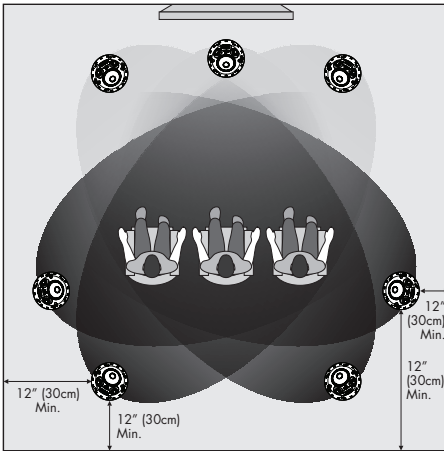


Figure 4. Adding surround channels to create a 5- or 7-channel installation.

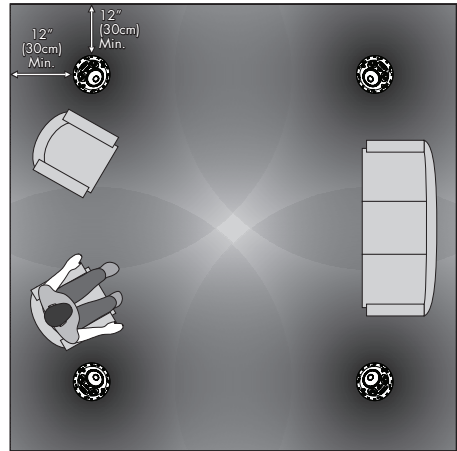


Figure 5. Distributed audio.

## PAINTING THE SPEAKER GRILLE

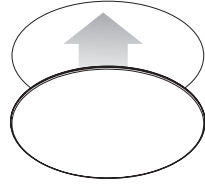
**IMPORTANT!** Before painting, remove the grille from speakers and remove the cloth scrim attached inside the grille.

1. Remove the grille from the speaker. A protective cloth scrim is attached to the back of the grille with low-tack adhesive. Remove this scrim by gently pulling it away from the grille.
2. Paint the grille, being careful not to plug the holes. Allow the paint to dry completely before

proceeding. **IMPORTANT!** For best results use a spray rather than a brush or roller.

3. Gently press the scrim back into place before reinstalling the speaker grille.

**Fig. 6**



## INSTALLATION

**NOTE:** These instructions assume the mounting surface is of standard wood frame and conventional sheetrock construction. If you wish to mount the speakers to another type of material you should contact a bonded contractor.

**NOTE:** See your local dealer for new construction pre-install brackets (sold separately).



**WARNING!** Before installing check local building codes to verify compliance with local regulations. **WARNING!** Before installing check for obstructions behind drywall. To do this make a small cutout, cutting at a 45° angle (this will make the hole easier to patch if you find obstacles. Only cut out the mounting hole after you have verified there are no obstructions behind the drywall. **WARNING!** Use speaker cable rated for in-wall use. The UL standard is CL2, CL3, and CM. The CSA standard is FT4. **WARNING!** Turn your amplifier off before making or breaking any signal connections.

### Recommended tools:

- Stud finder
- Sharp pencil or pen
- Pushpin
- Drywall knife/saw
- Wire strippers
- Electric drill
- Tape measure
- Low-tack tape

1. Using a stud finder, position the template centered between wall studs or ceiling joists.
2. Hold or pin the template in place and mark cutout with a pencil.
3. Remove the template and cut out the opening with a drywall knife/saw.
4. Place fiberglass insulation 12" (30cm) or thicker between the joists directly above the speaker.

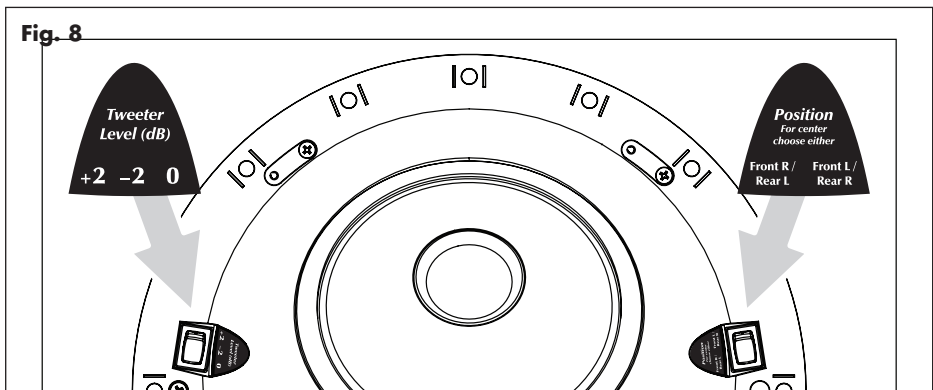
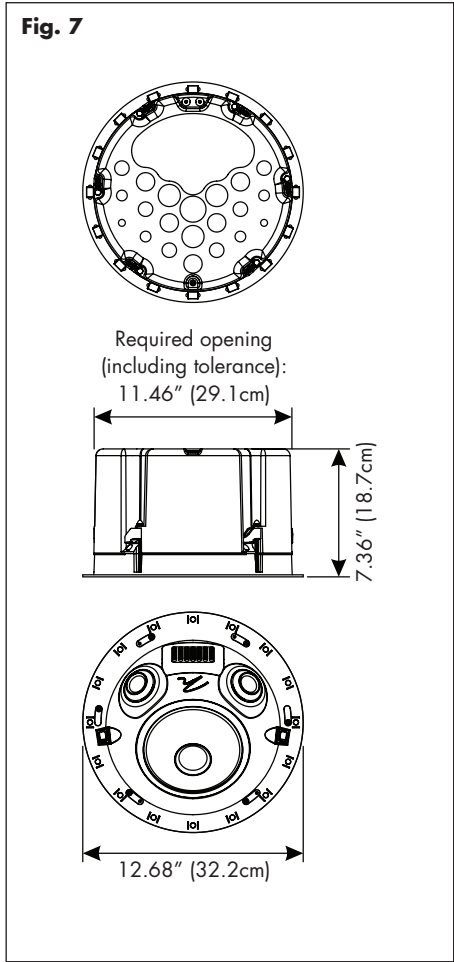
**WARNING!** Turn your amplifier off before making or breaking any signal connections!



5. Connect speaker cable. Be consistent when connecting speaker leads to the terminals on

the speaker. Take great care to assign the same color to the (+) terminal on both the speaker and the amplifier.

- 6 Place the speaker in the hole.
- 7 Orient the tweeter so it is pointing towards the primary listening position. There is an arrow on the installation handle to help with this. Tighten all screws numbered "1" in the direction labeled on the installation handle to engage mounting locks. Use the supplied Torx T20 driver and an electric drill to lock all mounting locks in place. Use a low clutch setting on the drill.
- 8 Loosen the screws numbered "2" to remove the installation handle.
- 9 Adjust the switches (figure 8). Set the Position switch to reflect the speaker's location in the room. For a center channel, choose either setting. Set the Tweeter Level switch to the desired setting (+2dB, -2dB, or 0).
- 10 Remove the protective sticker that is covering the Folded Motion tweeter.
- 11 Place the magnetic grille over the speaker.



## FREQUENTLY ASKED QUESTIONS

**How do I clean my speakers?** Use a clean cloth or a soft brush to remove the dust from your speakers. Do not spray any cleaning agents on or near the drivers.

**What size amplifier should I use?** We recommend an amplifier rated within the suitable amplifier range of your speaker.

**Could you suggest a list of suitable electronics and cables that would be ideal for MartinLogan speakers?** The area of electronics and cable choice is probably the most common type of question that we receive. It is also the most subjective. We have repeatedly found that brands that work well in one setup will drive someone else nuts in another. We use many brands with

great success. Again, we have no favorites; we use electronics and cables quite interchangeably. We would suggest listening to many brands—and above all else—trust your ears. Dealers are always the best source for information when purchasing additional audio equipment or cables and will be well versed in the subject of special safety requirements for in-wall cable.

**Will exposure to sunlight affect the life or performance of my speakers?** We recommend that you not place any loudspeaker in direct sunlight. The ultraviolet (UV) rays from the sun can cause deterioration of grille cloth and speaker cones. Small exposures to UV will not cause a problem. In general, the filtering of UV rays through glass will significantly reduce the adverse effects.

---

## TROUBLESHOOTING

### No Output

- Check that all your system components are turned on, are not muted, and that your balance control (if applicable) correct.
- Check to make sure your power outlet at the wall is working.
- Check your power cords, speaker wires, and interconnecting cables.
- Check to make sure no headphones are plugged in.
- Swap speaker wires at your amplifier with those of a speaker that is functioning correct

ly. If the lack of output moves to a different speaker the problem could be with other equipment in your system (i.e., amp, pre-amp, processor, and such).

- Try hooking up a different set of speakers. The lack of output could point to a problem with other equipment in your system (i.e., amp, pre-amp, processor, and such).

### Lack of Bass or Poor Imaging

- Check your speaker wires. Is the polarity correct — (+) to (+) and (-) to (-).



# CONTACTING CUSTOMER SERVICE

MartinLogan customer service is available Monday – Friday between the hours of 8 am – 5 pm (central time) by calling (785) 749-0133 or by emailing [service@martinlogan.com](mailto:service@martinlogan.com).

---

## GENERAL INFORMATION

### SERIAL NUMBER

You can locate the serial number on the back of the speaker and the product carton.

### SERVICE

Should your MartinLogan product be used in a country other than where initially purchased, we ask that you note the following:

- 1 The appointed MartinLogan distributor for any given country is only responsible for warranty servicing on units distributed by or through it in that country, per its applicable warranty.
- 2 Should a MartinLogan product require service in a country other than the one in which initially purchased, the end-user may seek to have repairs performed by the nearest MartinLogan distributor, subject to that distributor's local servicing policies. The owner of the MartinLogan product must bear the cost of all repairs (parts, labor, transportation, and such).
- 3 If, after owning your speaker for six months, you relocate to a country other than the one in which you purchased your speaker, your warranty may be transferable. Contact MartinLogan for details.

### WARRANTY INFORMATION

Thank you for purchasing a MartinLogan product. All MartinLogan products meeting the conditions set forth here are eligible to receive the Limited

Warranty. Please retain your sales receipt for proof of warranty terms and proof of purchase from an authorized MartinLogan dealer or distributor in the United States or Canada. Please register your purchase on the Online Warranty Registration system (<https://www.martinlogan.com/register>) on MartinLogan.com.

### Limited Warranty and Duration

MartinLogan, Ltd. warrants the product designated herein to be free of manufacturing defects in material and workmanship, subject to the conditions and for a period set forth below. This Warranty expires on the anniversary of the date of delivery. The Limited Warranty period on MartinLogan products is as follows:

- Five (5) Years – Floorstanding, bookshelf, and on-wall speakers;
- Five (5) Years – On-wall, in-wall, and in-ceiling speakers;
- Three (3) Years – Powered subwoofers;
- Three (3) Years – Outdoor Living Series satellite speakers and subwoofers;
- Two (2) Years – Installer Series outdoor/all-weather speakers;
- Two (2) Years – Soundbars, separate power amplifiers and pre-amplifiers, and fully powered speakers;
- One (1) Year – Headphones.

## How can you be sure to find a current authorized MartinLogan Dealer?

Only dealers found on the following pages are current authorized MartinLogan dealers. Goods purchased from any entity not found on these lists are not entitled to MartinLogan Limited Warranty coverage:

- Authorized Online Dealers  
<https://www.martinlogan.com/locator>
- Authorized United States Dealers  
<https://www.martinlogan.com/locator>
- Authorized Canadian Dealers  
<https://www.martinlogan.com/locator>

## What is required for the Limited Warranty of MartinLogan products?

- Purchase of a new MartinLogan product from an authorized MartinLogan dealer or distributor in the United States or Canada;
- A copy of the original receipt of sale from an authorized MartinLogan dealer or distributor in the United States or Canada.

## Limitations

- Warranty begins on the date of delivery;
- A copy of the original sales receipt from an authorized MartinLogan dealer or distributor in the United States or Canada is required for any warranty work;
- This Warranty is for the sole benefit of the original purchaser of the covered product, is restricted to the original purchaser, and requires the purchase of a new product;
- This warranty is not transferrable to a subsequent purchaser of the product;
- Warranty applies to product in normal home use only. If product is subjected to any conditions outlined in the next section, warranty is void;
- Warranty does not apply if the product is used in professional or commercial applications.

## The Warranty is Void or Inapplicable if:

- The product was not purchased from an authorized MartinLogan dealer or distributor in the United States or Canada;
- The serial number has been removed or defaced;
- The product has been used or handled other than in accordance with the instructions in the owner's manual;
- The product has been used in conjunction with unsuitable or faulty equipment;
- The product has been abused or misused, damaged by accident or neglect, or in being transported;
- The defect is due to the product being repaired or tampered with by anyone other than MartinLogan or an authorized MartinLogan repair center.

## Owner Responsibilities:

- Provide normal/reasonable operating care and maintenance;
- Prior to returning a product to MartinLogan for repairs covered by the Limited Warranty, the dealer from whom the speaker was purchased should first be contacted to see if they can resolve the issue;
- *If a product is returned to MartinLogan for warranty work:*
  - The product must be properly packaged and shipped to MartinLogan or an authorized MartinLogan repair center by the customer at his or her sole expense;
  - The product must be accompanied by an RMA number, obtained from the MartinLogan service department ([service@martinlogan.com](mailto:service@martinlogan.com));
  - The product must be accompanied by a written description of the defect and proof of the date of purchase in the form of a copy of the original sales receipt from an authorized MartinLogan dealer or distributor.

## **Warranty Outside of the United States and Canada**

This warranty applies only to purchases made from authorized MartinLogan dealers and distributors in the United States and Canada. For warranty terms, conditions, and support elsewhere, please contact the authorized MartinLogan distributor in the country where your purchase was made. Warranty outside the US and Canada is established and provided by authorized MartinLogan distributors around the world.

## **Refurbished Products Warranty Information**

MartinLogan refurbished products may be lightly pre-owned, demonstration, test products, or factory closeouts that have undergone rigorous inspection to ensure they meet MartinLogan's strict quality standards for both sonic performance and mechanical integrity. We back every refurbished product with a Refurbished product warranty.

Our refurbished products are packaged in factory packaging, complete with all documentation and where applicable, the accessories that normally ship with the product. On occasion, refurbished products may contain minor cosmetic blemishes, but will sonically perform to our industry leading full performance standards.

### **Each refurbished product:**

- Has undergone rigorous inspections to ensure it meets our strict quality standards.
- Is put through full testing to guarantee optimal sonic performance and mechanical integrity.
- Is supplied with complete documentation.
- Is supplied with a one (1) year non-cosmetic warranty (Headphones offer a 30 day warranty).
- Where applicable, is supplied with cables, remote control and accessories.
- Where applicable, firmware is updated to the latest version.
- Is given a new refurbished serial number.
- Comes in factory product packaging with a "Refurbished" label.

- May have minor cosmetic blemishes.

## **Remedy**

In the event the product fails during the warranty period and the above conditions are met, the purchaser's sole remedy under this Warranty shall be to return the product to MartinLogan or an authorized MartinLogan repair center where the defect will be rectified without charge for parts or labor.

## **Conditions**

MartinLogan reserves the right to modify the design of any product without obligation to purchaser of previously manufactured products and to change the prices or specifications of any product without notice or obligation to any person.

## **Exclusions**

Any implied warranties relating to the above product shall be limited to the duration of the above Warranty. This Warranty does not extend to any incidental or consequential costs or damages to the purchaser. Some states do not allow limitations on how long an implied warranty lasts or an exclusion or limitation of incidental or consequential damages, so the above limitations or exclusions may not apply to you. This Warranty gives you specific legal rights, and you may also have other rights which vary from state to state. This Warranty represents a limited warranty as per definition by the Federal Trade Commission (Magnuson-Moss Act).

## SPECIFICATIONS\*

*\*Specifications are subject to change without notice.*

<b>System Frequency Response</b> . . . . .	63–25,000 Hz ± 3 dB
<b>Tweeter Dispersion (horizontal x vertical)</b> . . . . .	30° x 80°
<b>Sensitivity</b> . . . . .	92 dB @ 2.83 volts/meter
<b>Impedance</b> . . . . .	4 ohms. Compatible with 4, 6, or 8 ohm rated amps.
<b>Crossover Frequency</b> . . . . .	400, 2250 Hz
<b>High-Frequency Driver</b> . . . . .	1.25 x 2.4" (3.2 x 6.1 cm) Folded Motion XT Obsidian Transducer with 4.5 x 2.75" (11.4 x 7 cm) diaphragm.
<b>Mid-Frequency Driver</b> . . . . .	Two 3.5" (8.9 cm) black unidirectional carbon fiber multi-section cone with Nomex® backer and cast aluminum basket, sealed back chamber format. Concave dust cap.
<b>Low-Frequency Driver</b> . . . . .	8" (20.32 cm) black unidirectional carbon fiber multi-section cone with Nomex® backer and cast aluminum basket, sealed back chamber format. Concave dust cap.
<b>Controls</b> . . . . .	Tweeter Level (dB): +2, -2, 0 Position: Front R/Rear L, Front L/Rear R, For center choose either
<b>Binding Post Inputs</b> . . . . .	Push style
<b>Components</b> . . . . .	Custom air core coil inductors, polypropylene film capacitors in series, and low DF electrolytic capacitors. Thermal/current protection.
<b>Suitable Amplifier Range</b> . . . . .	20–300 watts
<b>Maximum Power Handling</b> . . . . .	150 watts
<b>Weight</b> . . . . .	13.5 lb (6.1 kg)
<b>Overall Size (diameter x depth)</b> . . . . .	12.8 x 7.5" (325 x 190 mm)
<b>Required Opening (including tolerance)</b> . . . . .	11.46" (291 mm)
<b>Projection From the Wall Surface</b> . . . . .	0.26" (7 mm)
<b>Depth Required Behind the Wall Surface</b> . . . . .	7.2" (184 mm)



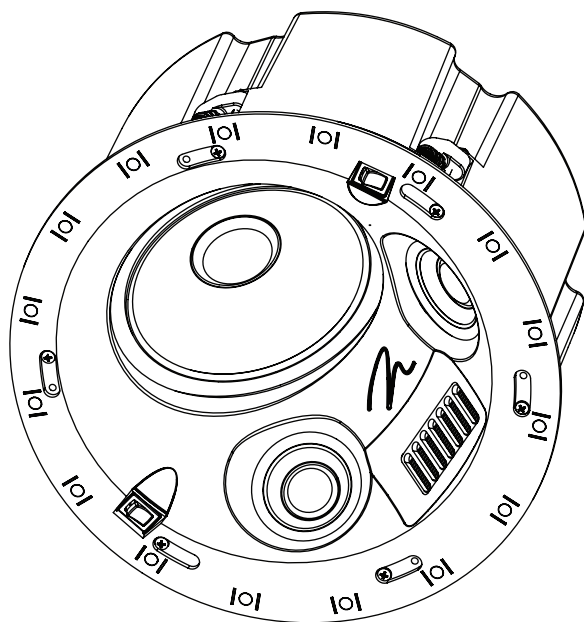


Lawrence, Kansas, USA tel 785.749.0133 fax 785.749.5320 [www.martinlogan.com](http://www.martinlogan.com)

©2020 MartinLogan Ltd. All rights reserved.

# *Sistine* 4XC

manuel de l'utilisateur





  
MARTIN LOGAN®


## AVERTISSEMENT!


- Pour les réparations, faites appel à un technicien compétent.
- Pour éviter les risques d'incendie ou de décharge électrique, n'exposez pas ce module aux vapeurs d'eau ni à l'humidité.
- Veuillez éteindre l'amplificateur en cas de conditions anormales.
- Ne poussez pas l'enceinte au-delà de sa puissance nominale.




 Le symbole de l'éclair avec une pointe en forme de flèche, dans un triangle équilatéral, avertit l'utilisateur de la présence d'une « tension dangereuse » potentielle près du produit qui peut être suffisante pour constituer un risque de décharge électrique.

 Le point d'exclamation dans un triangle équilatéral avertit l'utilisateur de la présence de directives importantes en matière de fonctionnement et d'entretien (service) dans les documents qui accompagnent l'appareil.

 Le symbole de feu dans un triangle équilatéral avertit l'utilisateur du risque de créer un incendie s'il ne suit pas les instructions.

 Le symbole de dollar dans un triangle équilatéral avertit l'utilisateur qu'il court le risque de causer des dommages potentiellement dispendieux à réparer s'il ne suit pas les instructions.

 En vertu de la directive WEEE de l'Union européenne (directive sur les déchets électriques et électroniques) entrée en vigueur le 13 août 2005, nous vous avisons que ce produit pourrait contenir des matériaux réglementés dont l'élimination doit faire l'objet de procédures de réutilisation et de recyclage particulières. À cette fin, MartinLogan a demandé à ses distributeurs dans les pays membres de l'Union européenne de reprendre et de recycler ce produit gratuitement.

Liste de vérification du contenu .....	17
Raccordement .....	18
Protéger votre investissement .....	18
Rodage .....	18
Positionnement des enceintes .....	18
Obtenir une image supérieure .....	18
L'équilibre entre les surfaces dures et molles améliore le rendement des hautes et des moyennes fréquences .....	18
Choisir un emplacement de montage .....	19
Équilibrage de la sortie des graves .....	19
Conseils pratiques pour le choix du positionnement .....	19
Peinturer la grille de l'enceinte .....	20
Installation .....	20
Foire aux questions .....	22
Dépannage .....	22
Communiquer Avec le Service à la Clientèle ..	23
Renseignements Généraux .....	23
Renseignements sur la garantie .....	23
Numéro de série .....	23
Service .....	23
Spécifications .....	26

Numéro de Série : \_\_\_\_\_

Veuillez inscrire votre numéro de série ici pour pouvoir vous y référer facilement. Vous aurez besoin de ce renseignement lorsque vous remplirez votre enregistrement à la garantie. Le numéro de série est situé près des bornes de raccordement et sur l'emballage du produit.

Pour trouver le distributeur le plus près, communiquez avec le revendeur du produit, envoyez un courriel à [info@martinlogan.com](mailto:info@martinlogan.com) ou consultez le site Web [martinlogan.com](http://martinlogan.com).

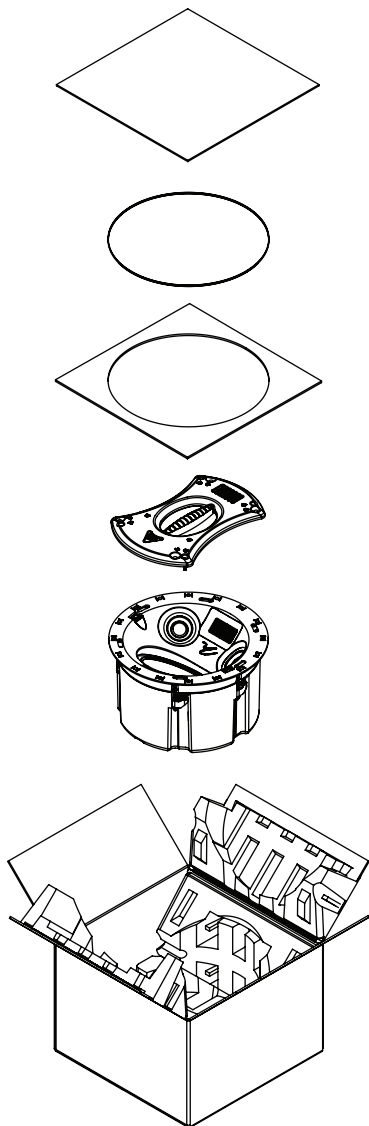
Notez que seul le produit est régi par la directive WEEE. Nous vous encourageons à recycler les matériaux d'emballage et autres matériaux d'expédition selon les procédures normales.



## LISTE DE VÉRIFICATION DU CONTENU

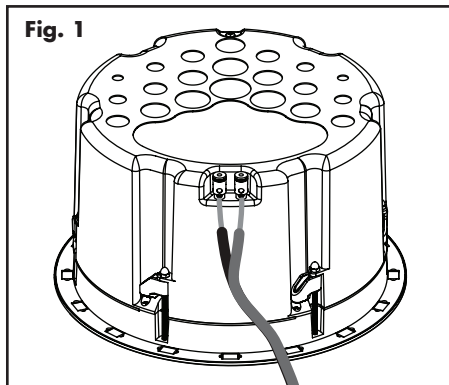
Vous trouverez les éléments suivants dans la boîte pour votre nouvelle enceinte MartinLogan. Si vous avez besoin d'aide, veuillez appeler notre département de service en composante le 785-749-0133.

Gabarit d'installation • Couvercle de la grille • Protecteur pour peinture • L'embout de tournevis Torx T20



## RACCORDEMENT

Fig. 1



**AVERTISSEMENT!** Éteignez l'amplificateur avant de faire des raccordements ou d'interrompre tout raccordement de signal!



Ces enceintes sont dotées de bornes de raccordement facile à utiliser de style bouton-poussoir qui acceptent les fils nus (fig. 1).

Attribuez la même couleur aux bornes (+) et (-) sur l'enceinte et l'amplificateur. Assurez-vous que tous les raccords sont bien faits.

## PROTÉGER VOTRE INVESTISSEMENT

- Utilisez un amplificateur qui correspond approximativement à la puissance admissible de l'enceinte.
- Pour éviter les dommages, baissez le volume si le son de l'enceinte est déformé ou dur, ou si les graves commencent à couper.
- Les commandes de tonalité et les égalisateurs peuvent accroître les possibilités de déformation du son, particulièrement à volume élevé. Utilisez ces commandes avec parcimonie.

## RODAGE

Quand vous commencez à l'utiliser les enceintes, les graves peuvent sonner un peu diminuées. Cette situation est due aux composants de haute qualité et à durée

de vie élevée utilisés dans les haut-parleurs. Un rodage d'environ 72 heures à 90 dB (niveaux d'écoute moyens) est nécessaire avant toute écoute critique.

## POSITIONNEMENT DES ENCEINTES

### Obtenir une image supérieure

Ces enceintes MartinLogan encastrables au plafond offrent une superbe image et un positionnement flexible presque partout. Toutefois, pour obtenir le meilleur rendement possible et la meilleure image, placez les enceintes à équidistance les unes des autres et évitez les obstacles physiques entre l'enceinte et la position d'écoute principale.

### L'équilibre entre les surfaces dures et molles améliore le rendement des hautes et des moyennes fréquences

Les pièces qui sont « trop amorties » avec du tapis, des rideaux ou d'autres matériaux qui absorbent le son peuvent faire en sorte que votre système sonne mat ou sans vie. D'un autre côté, les pièces peuvent avoir tellement de surfaces dures que le système sonnera comme dans un gymnase.

Expérimentez en ajoutant ou en enlevant des surfaces molles jusqu'à ce que vous trouviez un mélange qui sonne bien.

### Choisir un emplacement de montage

Installez Sistine 4XC entre les solives du plafond. Faites attention d'éviter les fils électriques derrière les murs et sous le plafond.

### Équilibrage de la sortie des graves

Le positionnement en coin de ces enceintes renforcera la sortie des graves. Si vous avez besoin d'une sortie équilibrée dans l'ensemble du spec-

tre audio, évitez de monter ces enceintes dans un coin.

### Conseils pratiques pour le choix du positionnement :

- Laissez un espace minimal de 12 po (30cm) de tout coin de mur.
- Placez les enceintes avant/centre à équidistance de 10 à 14 pieds (3 à 4,3 m) de la position d'écoute.
- Installation au plafond uniquement. Orientez le son vers la position d'écoute.

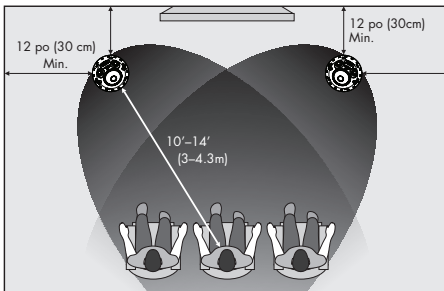


Figure 2. Installation à 2 canaux.

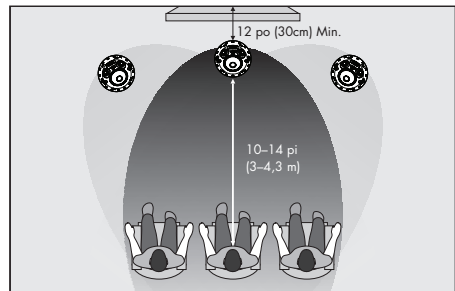


Figure 3. Ajouter un canal central.

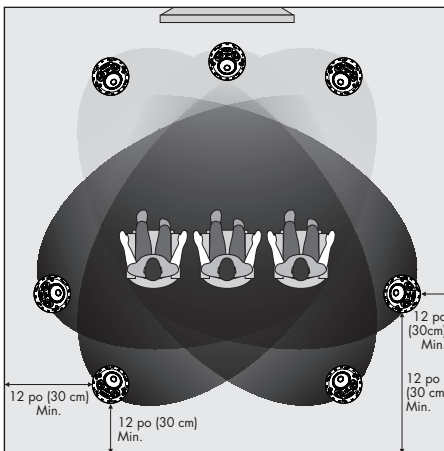


Figure 4. Ajouter des canaux ambiophoniques pour créer une installation à 5 ou 7 canaux.

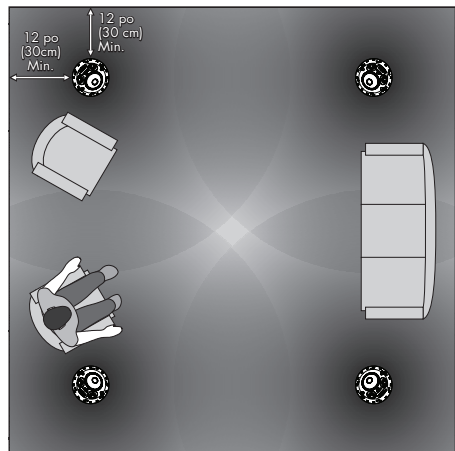


Figure 5. Stéréo audio distribué.

## PEINTURER LA GRILLE DE L'ENCEINTE

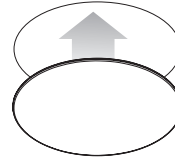
**IMPORTANT!** Avant de peindre, enlevez la grille des enceintes. De plus, enlevez le disque de tissu fixé à l'intérieur de la grille.

1. Enlevez la grille de l'enceinte. Un disque de tissu protecteur est fixé sur la partie arrière de la grille avec un adhésif. Retirez ce disque de grillage en tirant délicatement sur la grille.
2. Peignez la grille, en faisant attention de ne pas boucher les trous. **AVERTISSEMENT!**

Pour obtenir de meilleurs résultats, utilisez un vaporisateur au lieu d'un pinceau. Laissez la peinture sécher avant de continuer.

3. Fixez doucement le disque à sa place avant de réinstaller la grille de l'enceinte.

**Fig. 6**



## INSTALLATION

**REMARQUE :** ces instructions supposent que la surface de montage est un cadre en bois standard et une construction en gypse standard. Si vous souhaitez monter les enceintes sur un autre type de matériel, vous devez communiquer avec un entrepreneur cautionné.

**REMARQUE :** consultez votre revendeur local pour obtenir les nouveaux supports préinstallés (vendus séparément).



**AVERTISSEMENT!** Avant l'installation, vérifiez les codes de construction locaux pour vous assurer de la conformité aux règlements locaux. **AVERTISSEMENT!**



Avant l'installation, vérifiez la présence d'obstacles derrière la cloison sèche.



Pour y arriver, percez un petit trou, à un angle de 45° (il sera ainsi plus facile de reboucher le trou si des obstacles sont repérés).



Découpez le trou de montage uniquement lorsque vous avez vérifié qu'il n'y a aucun obstacle derrière la cloison sèche. **AVERTISSEMENT!** Utilisez uniquement un câble d'enceinte homologué pour l'utilisation dans un mur. La norme UL est CL2, CL3 et CM. La norme CSA est FT4. **AVERTISSEMENT!** Éteignez l'amplificateur avant de faire ou de défaire tout raccord de signal.

### Outils recommandés :

- Localisateur de montants
- Crayon aiguisé ou stylo
- Goupille-poussoir
- Couteau/scie à cloison sèche
- Pince à dénuder
- Perceuse électrique
- Ruban à mesurer
- Ruban adhésif « low-tack »

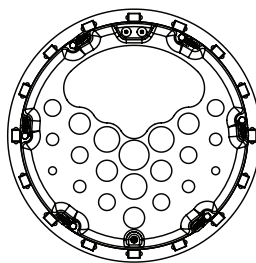
1. À l'aide d'un localisateur de montants, positionnez le gabarit afin qu'il soit centré entre les montants du mur ou les solives du plafond.
2. Maintenez ou fixez le gabarit en place et tracez le trou de découpe avec un crayon.
3. Enlevez le gabarit et découpez l'ouverture avec un couteau/scie à cloison sèche.
4. Placez l'isolant en fibre de verre de 12 po (30 cm) ou plus entre les solives directement au-dessus de l'enceinte.

**MISE EN GARDE!** Éteignez l'amplificateur avant de faire ou de défaire des raccords de signal!



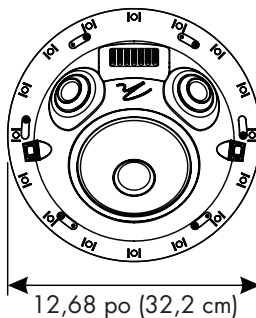
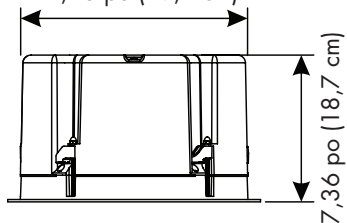
5. Raccordez le câble d'enceinte. Faites preuve de cohérence en raccordant les fils de raccord de l'enceinte aux bornes de l'enceinte. Prenez soin d'attribuer la même couleur à la borne (+) sur l'enceinte et sur l'amplificateur.
6. Placez l'enceinte dans le trou.
7. Orientez le haut-parleur d'aigus vers la position d'écoute principale. Il y a une flèche sur la poignée d'installation pour vous aider. Maintenez l'enceinte en place par la poignée d'installation. Serrez toutes les vis no 1 dans la direction indiquée sur la poignée d'installation pour engager les verrous de montage. Utilisez le pilote Torx T20 fourni et une perceuse électrique pour verrouiller tous les verrous de fixation. Utilisez un réglage d'embrayage bas sur la perceuse.
8. Desserrez les vis no 2 pour enlever la poignée d'installation.
9. Réglez les interrupteurs. Réglez l'interrupteur Position pour refléter l'emplacement de l'enceinte dans la pièce. Pour un canal central, choisissez l'un des réglages. Réglez l'interrupteur de niveau d'aigu (Tweeter Level) au réglage souhaité (+2dB, -2dB ou 0).
10. Enlevez l'autocollant protecteur qui couvre le haut-parleur d'aigus Folded Motion.
11. Placez la grille magnétique sur l'enceinte.

**Fig. 7**

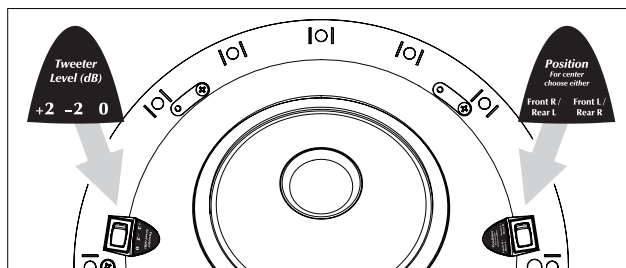


Ouverture au plafond requise  
(y compris la tolérance):

11,46 po (29,1 cm)



**Fig. 8**



## FOIRE AUX QUESTIONS

**Comment nettoyer mes enceintes?** Utilisez un linge propre ou une brosse molle pour enlever la poussière sur vos enceintes. Ne vaporisez pas de produit nettoyant sur ou à proximité des haut-parleurs.

**Quelle taille d'amplificateur dois-je utiliser?** Nous recommandons un amplificateur homologué dans la gamme d'amplificateur approprié pour votre enceinte.

**Pouvez-vous me proposer une liste d'appareils électroniques et de câbles qui conviennent aux enceintes MartinLogan?** Les questions relatives aux appareils électroniques et aux câbles sont probablement celles que nous recevons le plus souvent. Et ce sont les plus subjectives. Souvent, certaines marques fonctionnent bien dans une configuration et donnent de piètres résultats dans une autre. Nous utilisons de nombreuses marques

avec d'excellents résultats. Encore une fois, nous n'avons pas de produits préférés; nous utilisons les appareils électroniques et les câbles de façon assez interchangeable. Nous vous proposons d'écouter plusieurs marques et surtout, de faire confiance à votre ouïe. Les revendeurs sont toujours la meilleure source de renseignements lorsque vous achetez de l'équipement audio ou des câbles supplémentaires et connaissent bien les exigences de sécurité pour les câbles dans le mur.

**Est-ce que l'exposition à la lumière solaire nuira au rendement ou à la durée de vie de mes enceintes?** Nous recommandons de ne pas exposer les enceintes directement à la lumière solaire. Les rayons ultraviolets (UV) du soleil peuvent entraîner la détérioration du boîtier, des cônes de l'enceinte, etc. Les expositions de courte durée aux rayons UV ne posent pas de problème. La filtration des rayons UV par le verre diminuera grandement leurs effets négatifs.

---

## DÉPANNAGE

### Aucune sortie

- Vérifiez que toutes les composantes du système sont allumées, pas en sourdine, et que le contrôle d'équilibrage (le cas échéant) est réglé de façon appropriée.
- Assurez-vous que la prise murale fonctionne.
- Vérifiez les cordons d'alimentation, les câbles d'enceinte et les câbles d'interconnexion.
- Assurez-vous qu'aucun casque d'écoute n'est branché.
- Échangez les câbles d'enceinte vers l'amplificateur avec ceux d'une enceinte qui fonctionne bien. Si l'absence de sortie est

transmise à une autre enceinte, le problème pourrait être lié à un autre équipement de votre système (amplificateur, préamplificateur, processeur, etc.).

- Essayez de brancher un autre ensemble d'enceintes. L'absence de sortie peut être due à un problème avec une autre composante de votre système (amplificateur, préamplificateur, processeur, etc.)

### Manque de graves ou mauvaise image

- Vérifiez les câbles d'enceinte. Est-ce que la polarité est la bonne — (+) à (+) et (-) à (-).

## COMMUNIQUER AVEC LE SERVICE À LA CLIENTÈLE

Le service à la clientèle de MartinLogan est disponible du lundi au vendredi, de 8 h à 17 h (heure normale du Centre) en composant le (785)

749-0133 ou en envoyant un courriel à l'adresse [service@martinlogan.com](mailto:service@martinlogan.com).

---

## RENSEIGNEMENTS GÉNÉRAUX

### NUMÉRO DE SÉRIE

Un numéro de série est situé derrière l'enceinte. Le numéro de série est également inscrit sur l'emballage du produit.

### SERVICE

Si vous utilisez votre produit MartinLogan dans un pays autre que celui où il a été acheté à l'origine, nous vous demandons de noter ce qui suit :

1 Le distributeur MartinLogan désigné pour tout pays donné est responsable du service au titre de la garantie uniquement pour les appareils distribués par ce pays ou par l'entremise de celui-ci conformément à sa garantie applicable.

2 Si un produit MartinLogan doit faire l'objet de réparations (service) dans un pays autre que celui où il a été acheté à l'origine, l'utilisateur final peut faire réparer le produit chez le distributeur MartinLogan le plus proche, sous réserve des politiques de service locales de ce distributeur, mais tous les coûts des réparations (pièces, main-d'œuvre et transport) seront assumés par le propriétaire du produit MartinLogan.

3 Si, après avoir possédé l'enceinte pendant six mois, vous déménagez dans un pays autre que celui où vous avez acheté l'enceinte, votre garantie peut être transférable. Communiquez avec MartinLogan pour obtenir tous les détails.

### RENSEIGNEMENTS SUR LA GARANTIE

Merci d'avoir acheté un produit MartinLogan. Tous

les produits MartinLogan respectant les conditions énoncées ici peuvent bénéficier de la garantie limitée. Conservez votre facture pour la preuve de la garantie et la preuve d'achat auprès d'un détaillant ou d'un distributeur MartinLogan agréé aux États-Unis ou au Canada. Veuillez enregistrer votre achat sur le système d'enregistrement de garantie en ligne (<https://www.martinlogan.com/register>) on [MartinLogan.com](http://MartinLogan.com).

### Garantie limitée et durée

MartinLogan, Ltd. garantit le produit désigné dans le présent document comme étant exempt de tout vice de fabrication, de fabrication ou de fabrication, sous réserve des conditions et pour une période définies ci-après. Cette garantie expire à la date anniversaire de la livraison. La période de garantie limitée sur les produits MartinLogan est la suivante:

- Cinq (5) ans - haut-parleurs au sol, sur étagère et muraux;
- Cinq (5) ans - haut-parleurs muraux, muraux et plafonniers;
- Trois (3) ans - Subwoofers à moteur;
- Trois (3) ans - haut-parleurs satellites et caissons de basse Outdoor Living Series;
- Deux (2) ans - haut-parleurs extérieurs / tout temps de la série Installer;
- Deux (2) ans - barres de son, amplificateurs de puissance et préamplificateurs séparés, et haut-parleurs entièrement alimentés;
- Un (1) an - écouteurs.

## Comment être sûr de trouver un revendeur agréé MartinLogan?

Seuls les revendeurs indiqués dans les pages suivantes sont des revendeurs agréés MartinLogan. Les produits achetés auprès d'une entité ne figurant pas sur ces listes ne bénéficient pas de la garantie limitée MartinLogan:

- Revendeurs en ligne autorisés  
<https://www.martinlogan.com/locator>
- Revendeurs américains autorisés  
<https://www.martinlogan.com/locator>
- Distributeurs canadiens autorisés  
<https://www.martinlogan.com/locator>

## Qu'est-ce qui est requis pour la garantie limitée des produits MartinLogan?

- Achat d'un nouveau produit MartinLogan auprès d'un revendeur agréé MartinLogan ou d'un distributeur aux États-Unis ou au Canada;
- Une copie du reçu de vente original d'un revendeur ou distributeur MartinLogan autorisé aux États-Unis ou au Canada.

## Limites

- La garantie commence à la date de livraison;
- Une copie du reçu de vente original d'un revendeur ou distributeur MartinLogan agréé aux États-Unis ou au Canada est requise pour tout travail sous garantie;
- Cette garantie est à l'avantage exclusif de l'acheteur d'origine du produit couvert, elle est réservée à l'acheteur d'origine et nécessite l'achat d'un nouveau produit;
- Cette garantie n'est pas transférable à un acheteur ultérieur du produit;
- La garantie s'applique uniquement à ce produit. Si le produit est soumis aux conditions décrites dans la section suivante, la garantie est annulée.
- La garantie ne s'applique pas si le produit est utilisé dans des applications professionnelles ou commerciales.

## La garantie est nulle ou inapplicable si:

- Le produit n'a pas été acheté auprès d'un revendeur ou distributeur MartinLogan agréé aux États-Unis ou au Canada;
- Le numéro de série a été supprimé ou effacé.
- Le produit a été utilisé ou manipulé autrement que conformément aux instructions du manuel d'utilisation.
- Le produit a été utilisé avec un équipement inapproprié ou défectueux;
- Le produit a été maltraité ou mal utilisé, endommagé par accident ou par négligence, ou lors de son transport;
- Le défaut est dû au fait que le produit est réparé ou altéré par une personne autre que MartinLogan ou un centre de réparation agréé MartinLogan.

## Responsabilités du propriétaire:

- Fournir un entretien et un fonctionnement normaux / raisonnables;
- Avant de renvoyer un produit à MartinLogan pour des réparations couvertes par la garantie limitée, vous devez d'abord contacter le revendeur auprès duquel le haut-parleur a été acheté pour savoir s'il peut résoudre le problème.
- *Si un produit est renvoyé à MartinLogan pour des travaux sous garantie:*
  - Le produit doit être correctement emballé et expédié à MartinLogan ou à un centre de réparation agréé MartinLogan par le client à ses frais exclusifs;
  - Le produit doit être accompagné d'un numéro RMA, obtenu auprès du service après-vente MartinLogan ([service@martinlogan.com](mailto:service@martinlogan.com));
  - Le produit doit être accompagné d'une description écrite du défaut et d'une preuve de la date d'achat sous la forme d'une copie du reçu de vente original d'un revendeur ou distributeur MartinLogan agréé.



## **Garantie en dehors des États-Unis et du Canada**

Cette garantie s'applique uniquement aux achats effectués auprès de revendeurs et distributeurs MartinLogan autorisés aux États-Unis et au Canada. Pour connaître les conditions de garantie et l'assistance ailleurs, veuillez contacter le distributeur agréé MartinLogan du pays où votre achat a été effectué. La garantie en dehors des États-Unis et du Canada est établie et fournie par les distributeurs agréés MartinLogan dans le monde entier.

## **Informations sur la garantie des produits remis à neuf**

Les produits reconditionnés MartinLogan peuvent être des produits d'occasion, des produits de démonstration, des produits d'essai ou des usines qui ont fait l'objet d'une inspection rigoureuse pour s'assurer qu'ils respectent les normes de qualité strictes de MartinLogan pour les performances sonores et l'intégrité mécanique. Chaque produit remis à neuf est couvert par une garantie de produit remis à neuf.

Nos produits reconditionnés sont emballés dans un emballage d'usine, avec toute la documentation et, le cas échéant, les accessoires normalement livrés avec le produit. À l'occasion, les produits remis à neuf peuvent contenir de légères imperfections cosmétiques, mais sont conformes aux normes de performance intégrales de notre industrie.

### **Chaque produit reconditionné:**

- A subi des inspections rigoureuses pour s'assurer qu'il répond à nos normes de qualité strictes.
- Est soumis à des tests complets pour garantir des performances sonores optimales et une intégrité mécanique.
- Est fourni avec une documentation complète.
- Est fourni avec une garantie d'un (1) an non cosmétique (les écouteurs offrent une garantie de 30 jours).
- Le cas échéant, est fourni avec les câbles, la

télécommande et les accessoires.

- Le cas échéant, le micrologiciel est mis à jour à la dernière version.
- Est donné un nouveau numéro de série remis à neuf.
- Livré dans un emballage de produit d'usine portant une étiquette «Remis à neuf».
- Peut avoir des imperfections cosmétiques mineures.

## **Remède**

En cas de défaillance du produit pendant la période de garantie et si les conditions ci-dessus sont remplies, le seul recours de l'acheteur au titre de cette garantie consiste à renvoyer le produit à MartinLogan ou à un centre de réparation agréé MartinLogan, où le défaut sera corrigé sans frais de pièces ou de main-d'œuvre. .

## **Conditions**

MartinLogan se réserve le droit de modifier la conception de tout produit sans obligation pour l'acheteur de produits déjà fabriqués, ainsi que de modifier les prix ou les spécifications de tout produit, sans préavis ni obligation envers quiconque.

## **Les exclusions**

Toute garantie implicite relative au produit susmentionné sera limitée à la durée de la garantie susmentionnée. Cette garantie ne couvre pas les coûts ni les dommages accessoires ou indirects pour l'acheteur. Certains états n'autorisent pas les limitations de durée d'une garantie implicite ni l'exclusion ou la limitation des dommages accessoires ou indirects. Par conséquent, les limitations ou exclusions ci-dessus peuvent ne pas s'appliquer à vous. Cette garantie vous donne des droits légaux spécifiques et vous pouvez également avoir d'autres droits qui varient d'une province à l'autre. Cette garantie représente une garantie limitée définie par la Federal Trade Commission (Loi Magnuson-Moss).

## SPÉCIFICATIONS\*

*\*Les spécifications peuvent changer sans préavis.*

<b>Réponse de fréquence du système</b> . . . . .	63-25 000 Hz ± 3 dB
<b>Haut-parleur haute dispersion</b> . . . . .	30° x 80°
<b>Sensibilité</b> . . . . .	92 dB à 2,83 volts/mètre
<b>Impédance</b> . . . . .	4 Ohms. Compatible avec des amplificateurs classés 4, 6 ou 8 Ohms.
<b>Fréquence de raccord</b> . . . . .	400, 2 250 Hz
<b>Haut-parleur haute fréquence</b> . . . . .	1,25 x 2,4 po (3,2 x 6 cm) Transducteur motion plié avec diaphragme de 4,25 x 2,75 po (11,4 cm x 7 cm).
<b>Haut-parleur de Moyenne Fréquence</b> . . . . .	Deux cônes unidirectionnelle en fibre de carbone noirs de 3,5 po (8,9 cm) avec support Nomex, et panier en aluminium moulé, format de chambre arrière scellé. Bouchon protecteur concave.
<b>Haut-parleur basse fréquence</b> . . . . .	Cône unidirectionnelle en fibre de carbone noir de 8 po (20,32 cm) avec support Nomex, et panier en aluminium moulé, format de chambre arrière scellé. Bouchon protecteur concave.
<b>Controls</b> . . . . .	Tweeter Level (niveau d'aigu) (dB) : +2, -2, 0 Position : Avant D/arrière G, Avant G/arrière D, pour le centre, choisissez l'un ou l'autre.
<b>Bornes de raccordement</b> . . . . .	Style pousoir
<b>Composantes</b> . . . . .	Inducteurs à bobine d'air sur mesure. Condensateurs à film en polypropylène en série et condensateurs électrolytiques à DF bas. Protection thermique/courant générale.
<b>Puissance nominale maximale</b> . . . . .	20-300 watts
<b>Puissance admissible maximale</b> . . . . .	150 watts
<b>Poids</b> . . . . .	13,5 lb (6,1 kg)
<b>Dimension (diamètre x profondeur)</b> . . . . .	12,8 x 7,5 po (325 x 190 mm)
<b>Ouverture au plafond requise (y compris la tolérance)</b> . .	11,46 po (291 mm)
<b>Projection de la surface du mur</b> . . . . .	0,26 po (6,6 mm)
<b>Profondeur requise derrière la surface du mur</b> . .	7,2 po (184 mm)





Lawrence, Kansas, USA tél. 785.749.0133 téléc. 785.749.5320 [www.martinlogan.com](http://www.martinlogan.com)